



Wall Mount Swing-Out Cabinet 15U x 18.5" Usable Depth - Black

RM-551-15U - Specifications

Description

This 15U wall mount swing-out cabinet comes with a lockable front door, lockable swing out back and removable/lockable side panels. The swing-out back door allows for easy access during installation. It is typically used for housing network and DVR equipment used in small offices and homes. (Fans sold separately)

Physical Characteristics

Color	Black - Powder Coated
Material	SPCC Cold Rolled Steel
Material Thickness	Rails:1.35mm, Others:1.0 mm
Front Doors	Removable Front Door, Opening Angle is Over 180 Degrees, Lockable
Swing Out Back	Opening Angle is Over 90 Degrees, Lockable - Requires Two Keys to Open
Lockable Side Panels	Yes
Removable Side Panels	Yes
Adjustable Mounting Profile Installation	Yes
Assembly Required	No
Loading Capacity	Maximum 110 lbs [50 kg]
Cable Entries	Cable Entry on Top and Bottom Panels
Width	19 inches
Capacity	15U
Product Dimensions	30.3 H, 23.6 W, 21.6 D inches [77 H, 60 W, 55 D cm]
Mounting Rails	2 pairs of square hole rails Adjustable depth 75mm, 85mm, 95mm 105mm, 115mm (Measured from the Glass to the Rail)
Usable Mounting Dimensions	15U Height x 19" Wide x 18.5" Deep
Cooling Fans	Not Included, Sold Separately (RM-615)
Grounding Stud	Yes

Compatible Products

Products	RM-500-BRUSH, RM-615
----------	----------------------

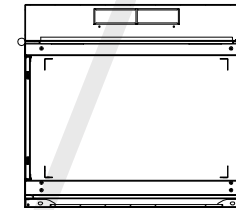
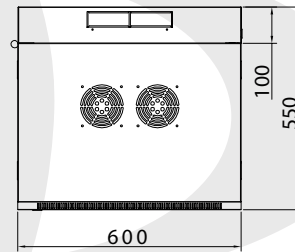
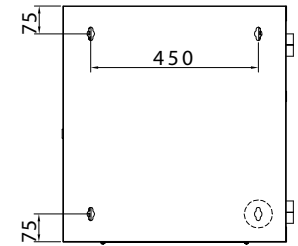
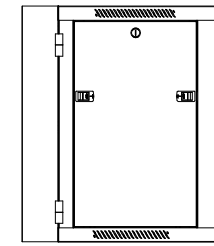
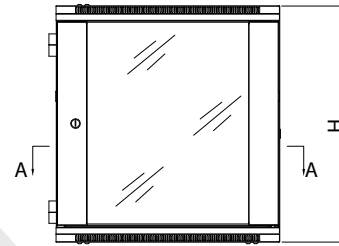
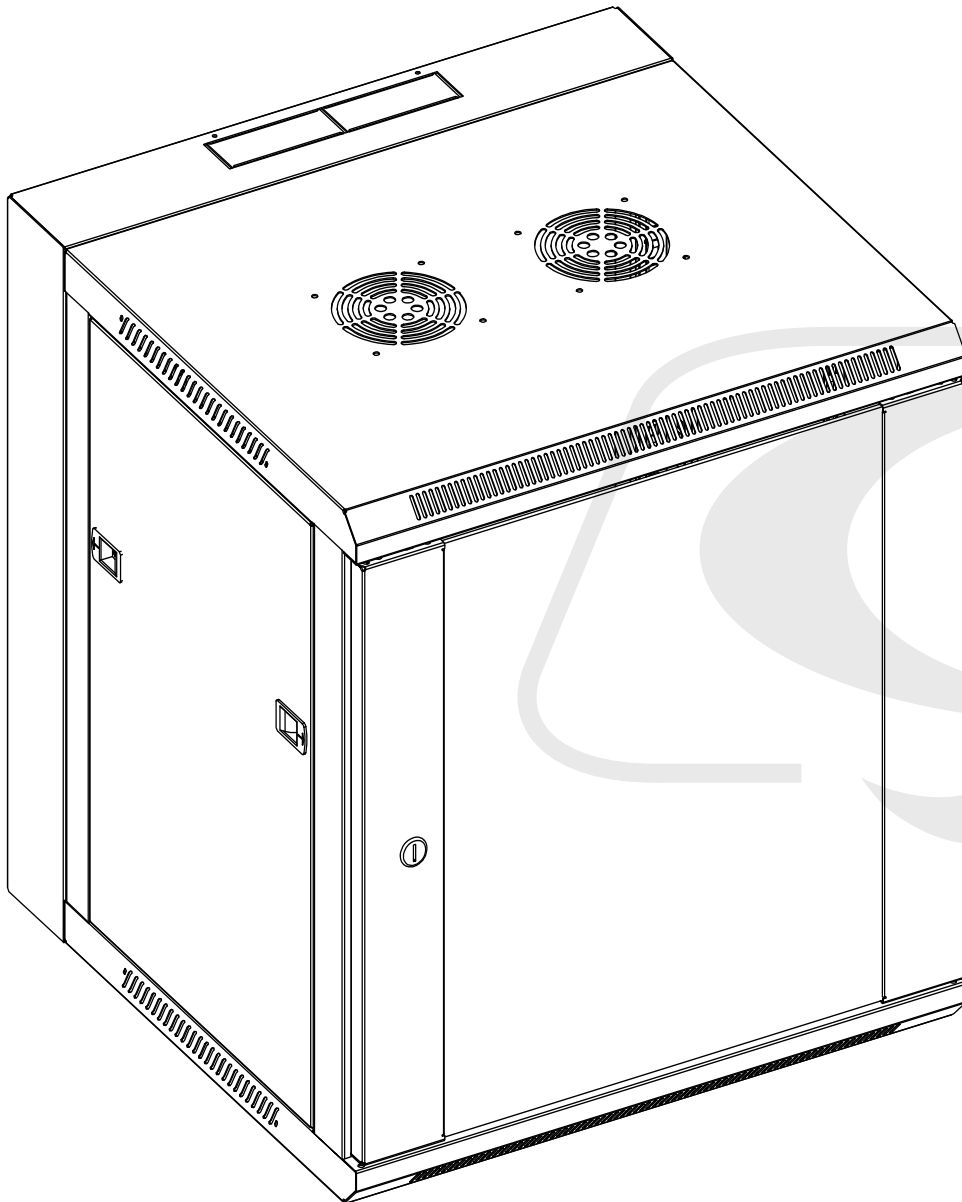
Approvals/Environmental

ANSI/EIA, RS-310-D, IEC60297-2,	Yes
DIN41494 PART1, PART7	Yes
RoHS, Reach	Yes

Packaging Information

Package Quantity	1 - Wall Mount Swing-Out Cabinet 15U (Assembled)
Mounting Hardware	10 Sets – M6 Screws and Cage Nuts
Product Weight	76 lbs





A-A Section

