



Description

This cable consists of three RCA male connectors on one end, and a 4-position 3.5mm male connector on the other end. It is used to connect a digital media player to an A/V receiver such as a video camera to a receiver or TV.

Physical Characteristics

Color Black
Strain Relief Molded

Connectors

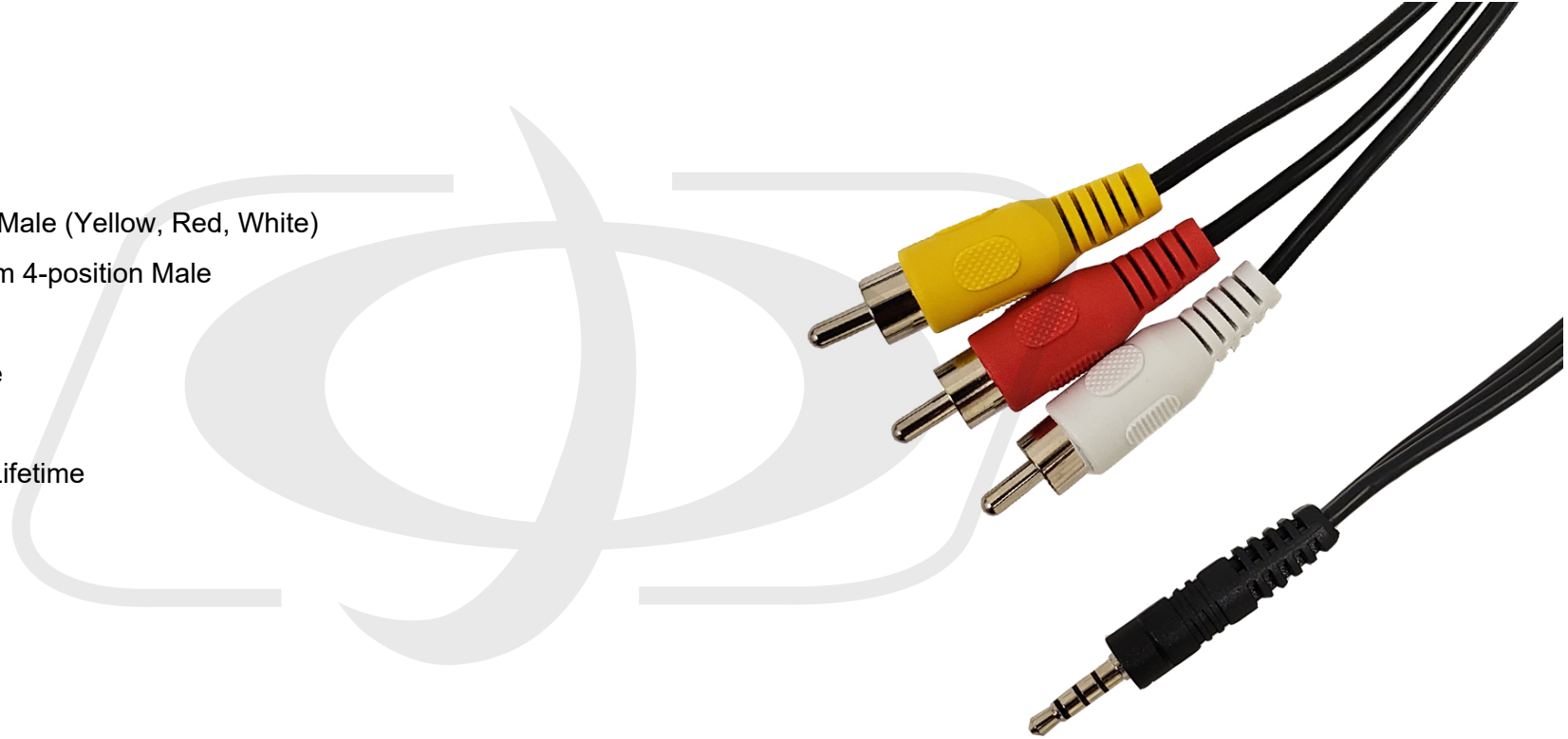
Connector A 3 - RCA Male (Yellow, Red, White)
Connector B 1 - 3.5mm 4-position Male

Packaging Information

Package Quantity 1 - Cable

Warranty Information

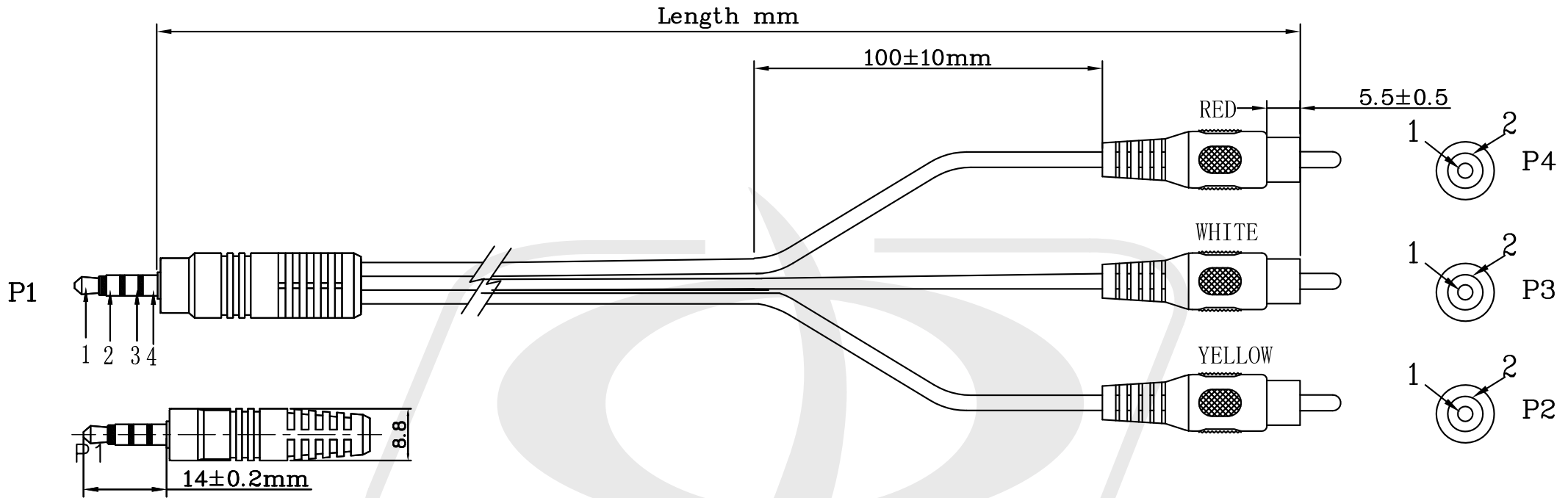
Warranty Limited Lifetime





3.5mm 4C Male to Composite RCA & Left/Right Audio RCA Adapter Breakout Camcorder Cable

RCA3-AV35M-xx - Line Drawing



P/N:	Length:
RCA3-AV35M-03	915±20MM
RCA3-AV35M-06	1830±30MM

WIRE CONNECTION WIRE COLOR

