

## Quick Start Guide

### About this Manual



This Manual is applicable to Fixed Mini Dome Network Camera.  
The Manual includes instructions for using and managing the product. Pictures, charts, images and other information hereinafter are for description and explanation only. The information contained in the Manual is subject to change, without notice, due to firmware updates or other reasons. Please find the latest version in the company website.

Please use this user manual under the guidance of professionals.

### Regulatory Information

For products that support Wi-Fi or cellular data:  
(Marked with a "W", "GLT", "GLE", "GLF", "GE", "GT" or "GW" in the Part C of a product model.  
Product Model Example: Part A-Part B-Part C. Part C is optional.)

### EU Conformity Statement

 This product and - if applicable - the supplied accessories too are marked with "CE" and comply therefore with the applicable harmonized European standards listed under the Radio Equipment Directive 2014/53/EU, the EMC Directive 2014/30/EU, the RoHS Directive 2011/65/EU, RE Directive 2014/53/EU, 2012/19/EU (WEEE directive); Products marked with this symbol cannot be disposed of as unsorted municipal waste in the European Union. For proper recycling, return this product to your local supplier upon the purchase of equivalent new equipment, or dispose of it at designated collection points. For more information see: [www.recyclethis.info](http://www.recyclethis.info).  
 2006/66/EC and its amendment 2013/56/EU (battery directive): This product contains a battery that cannot be disposed of as unsorted municipal waste in the European Union. See the product documentation for specific battery information. The battery is marked with this symbol, which may include lettering to indicate cadmium (Cd), lead (Pb), or mercury (Hg). For proper recycling, return the battery to your supplier or to a designated collection point. For more information see: [www.recyclethis.info](http://www.recyclethis.info).

### FCC Information

Please take attention that changes or modification not expressly approved by the party responsible for compliance could void the user's authority to operate the equipment.  
FCC compliance: This equipment has been tested and found to comply with the limits for a Class B digital device, pursuant to part 15 of the FCC Rules. These limits are designed to provide reasonable protection against harmful interference in a residential installation. This equipment generates, uses and can radiate radio frequency energy and, if not installed and used in accordance with the instructions, may cause harmful interference to radio communications. However, there is no guarantee that interference will not occur in a particular installation. If this equipment does cause harmful interference to radio or television reception, which can be determined by turning the equipment off and on, the user is encouraged to try to correct the interference by one or more of the following measures:  
—Reorient or relocate the receiving antenna.  
—Increase the separation between the equipment and receiver.  
—Connect the equipment into an outlet on a circuit different from that to which the receiver is connected.  
—Consult the dealer or an experienced radio/TV technician for help.  
This equipment should be installed and operated with a minimum distance 20cm between the radiator and your body.  
FCC Conditions:  
This device complies with part 15 of the FCC Rules. Operation is subject to the following two conditions:  
1. This device may not cause harmful interference.  
2. This device must accept any interference received, including interference that may cause undesired operation.

### Industry Canada ICES-003 Compliance

This device meets the CAN ICES-3 (B)/NMB-3(B) standards requirements.


This device complies with Industry Canada licence-exempt RSS standard(s). Operation is subject to the following two conditions:  
(1) this device may not cause interference, and  
(2) this device must accept any interference, including interference that may cause undesired operation of the device.  
Le présent appareil est conforme aux CNR d'Industrie Canada applicables aux appareils radioexemptés de licence. L'exploitation est autorisée aux deux conditions suivantes:  
(1) l'appareil ne doit pas produire de brouillage, et  
(2) l'utilisateur de l'appareil doit accepter tout brouillage radioélectrique subi, même si le brouillage est susceptible d'en compromettre le fonctionnement.  
Under Industry Canada regulations, this radio transmitter may only operate using an antenna of a type and maximum (or lesser) gain approved for the transmitter by Industry Canada. To reduce potential radio interference to other users, the antenna type and its gain should be so chosen that the equivalent isotropically radiated power (e.i.r.p.) is not more than that necessary for successful communication.

Conformément à la réglementation d'Industrie Canada, le présent émetteur radio peut fonctionner avec une antenne d'un type et d'un gain maximal (ou inférieur) approuvé pour l'émetteur par Industrie Canada. Dans le but de réduire les risques de brouillage radioélectrique à l'intention des autres utilisateurs, il faut choisir le type d'antenne et son gain de sorte que la puissance isotrope rayonnée équivalente (p.i.r.e.) ne dépasse pas l'intensité nécessaire à l'établissement d'une communication satisfaisante.

This equipment should be installed and operated with a minimum distance 20cm between the radiator and your body.  
Cet équipement doit être installé et utilisé à une distance minimale de 20 cm entre le radiateur et votre corps.

For products that do not support Wi-Fi or cellular data:

### EU Conformity Statement

 This product and - if applicable - the supplied accessories too are marked with "CE" and comply therefore with the applicable harmonized European standards listed under the Radio Equipment Directive 2014/53/EU, the EMC Directive 2014/30/EU, the RoHS Directive 2011/65/EU, RE Directive 2014/53/EU, 2012/19/EU (WEEE directive); Products marked with this symbol cannot be disposed of as unsorted municipal waste in the European Union. For proper recycling, return this product to your local supplier upon the purchase of equivalent new equipment, or dispose of it at designated collection points. For more information see: [www.recyclethis.info](http://www.recyclethis.info).  
 2006/66/EC and its amendment 2013/56/EU (battery directive): This product contains a battery that cannot be disposed of as unsorted municipal waste in the European Union. See the product documentation for specific battery information. The battery is marked with this symbol, which may include lettering to indicate cadmium (Cd), lead (Pb), or mercury (Hg). For proper recycling, return the battery to your supplier or to a designated collection point. For more information see: [www.recyclethis.info](http://www.recyclethis.info).

### FCC Information

Please take attention that changes or modification not expressly approved by the party responsible for compliance could void the user's authority to operate the equipment.  
FCC compliance: This equipment has been tested and found to comply with the limits for a Class B digital device, pursuant to part 15 of the FCC Rules. These limits are designed to provide reasonable protection against harmful interference in a residential installation. This equipment generates, uses and can radiate radio frequency energy and, if not installed and used in accordance with the instructions, may cause harmful interference to radio communications. However, there is no guarantee that interference will not occur in a particular installation. If this equipment does cause harmful interference to radio or television reception, which can be determined by turning the equipment off and on, the user is encouraged to try to correct the interference by one or more of the following measures:  
—Reorient or relocate the receiving antenna.  
—Increase the separation between the equipment and receiver.  
—Connect the equipment into an outlet on a circuit different from that to which the receiver is connected.  
—Consult the dealer or an experienced radio/TV technician for help.  
This equipment should be installed and operated with a minimum distance 20cm between the radiator and your body.  
FCC Conditions:  
This device complies with part 15 of the FCC Rules. Operation is subject to the following two conditions:  
1. This device may not cause harmful interference.  
2. This device must accept any interference received, including interference that may cause undesired operation.

### Industry Canada ICES-003 Compliance

This device meets the CAN ICES-3 (B)/NMB-3(B) standards requirements.

### Industry Canada ICES-003 Compliance

This device meets the CAN ICES-3 (B)/NMB-3(B) standards requirements.

### Safety Instruction

These instructions are intended to ensure that the user can use the product correctly to avoid danger or property loss.

### Laws and Regulations

The device should be used in compliance with local laws, electrical safety regulations, and fire prevention regulations.

### Transportation

Keep the device in original or similar packaging while transporting it.

### Power Supply

The input voltage should conform to IEC60950-1 standard: SELV (Safety Extra Low Voltage) and the Limited Power Source. Refer to the appropriate documentation for detailed information.

DO NOT connect multiple devices to one power adapter, to avoid over-heating or fire hazards caused by overload.

Make sure the plug is properly connected to the power socket.

### System Security

The installer and user are responsible for password and security configuration and its settings.

### Battery

Improper use or replacement of the battery may result in explosion hazard. Replace with the same or equivalent type only. Dispose of used batteries in conformance with the local codes.

### Maintenance

If the product does not work properly, please contact your dealer or the nearest service center. We shall not assume any responsibility for problems caused by unauthorized repair or maintenance.

A few device components (e.g., electrolytic capacitor) require regular replacement. The average lifespan varies, so periodic checking is recommended. Contact your dealer for details.

### Cleaning

Please use a soft and dry cloth when clean inside and outside surfaces of the product cover. Do not use alkaline detergents.

### Using Environment

When any laser equipment is in use, make sure that the device lens is not exposed to the laser beam, or it may burn out.

Do not expose the device to high electromagnetic radiation or dusty environments.

For indoor-only device, place it in a dry and well-ventilated environment.

Do not aim the lens at the sun or any other bright light.

Make sure the running environment meets the requirement of the device. The operating temperature shall be -10 °C to 40 °C (-14 °F to 104 °F), and the operating humidity shall be 90% or less (no condensing).

Do not place the camera in extremely hot, cold, dusty or damp locations, and do not expose it to high electromagnetic radiation.

### Emergency

If smoke, odor, or noise arises from the device, immediately turn off the power, unplug the power cable, and contact the service center.

### Time Synchronization

Set up camera time manually for the first time access if the local time is not synchronized with that of the network. Visit the camera via Web browse/client software and go to time settings interface.

### Installation

Make sure the device is firmly secured to any wall or ceiling mountings.

Be sure that there is enough space to install the camera and accessories.

Make sure that the device in the package is in good condition and all the assembly parts are included.


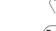



Make sure that the wall is strong enough to withstand at least 4 times the weight of the camera and the mount.

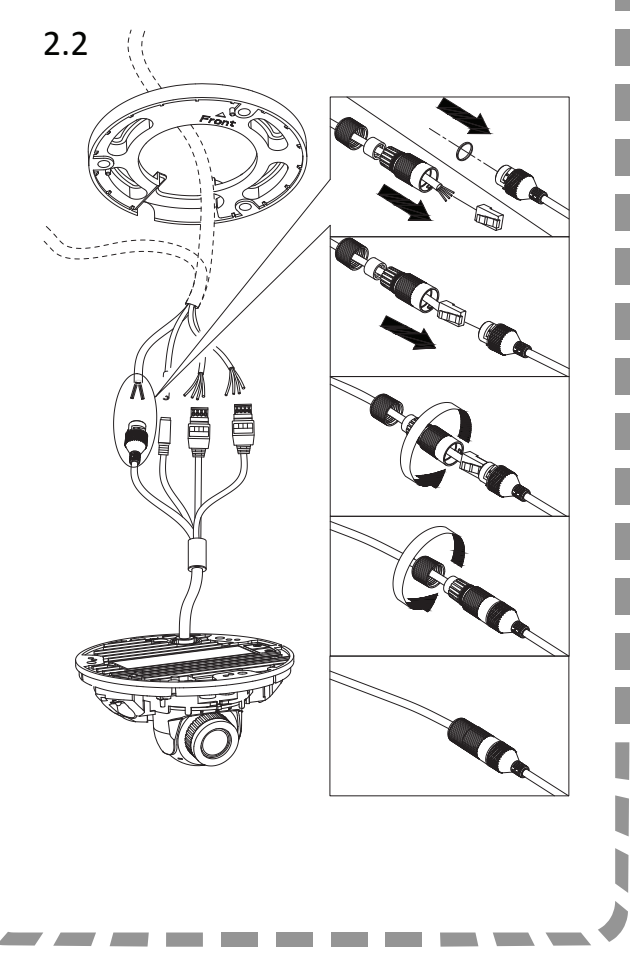
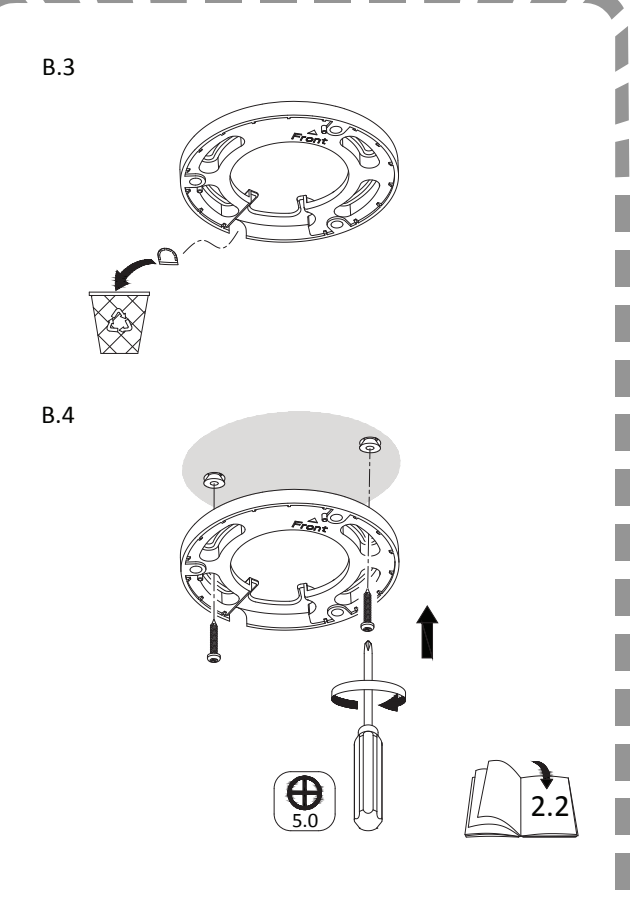
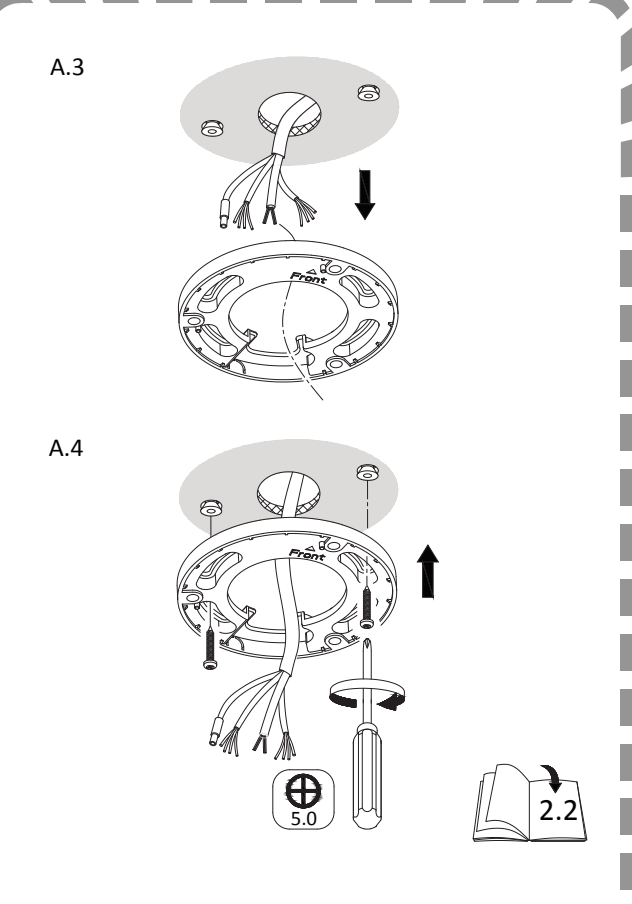
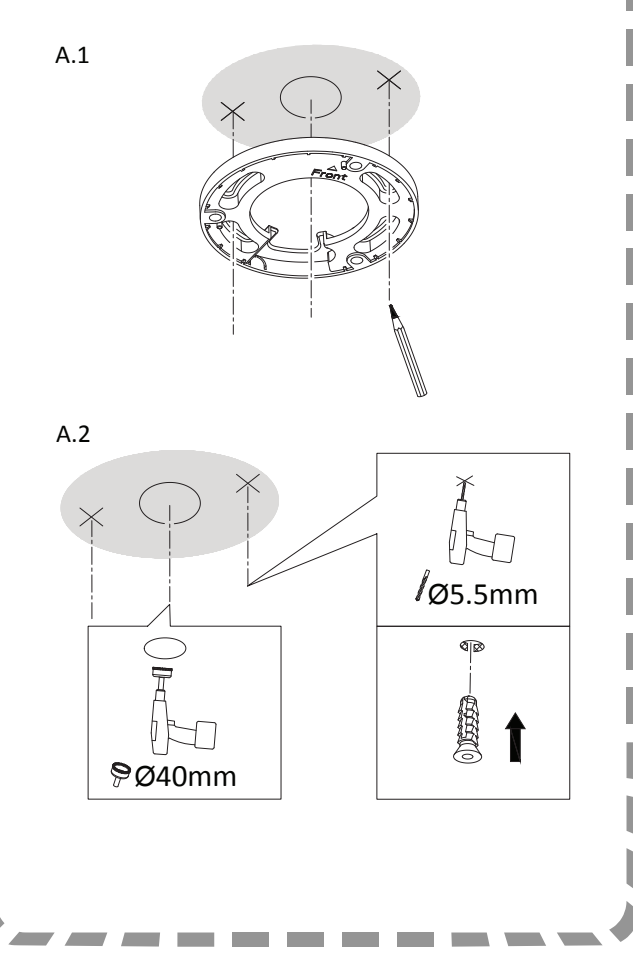
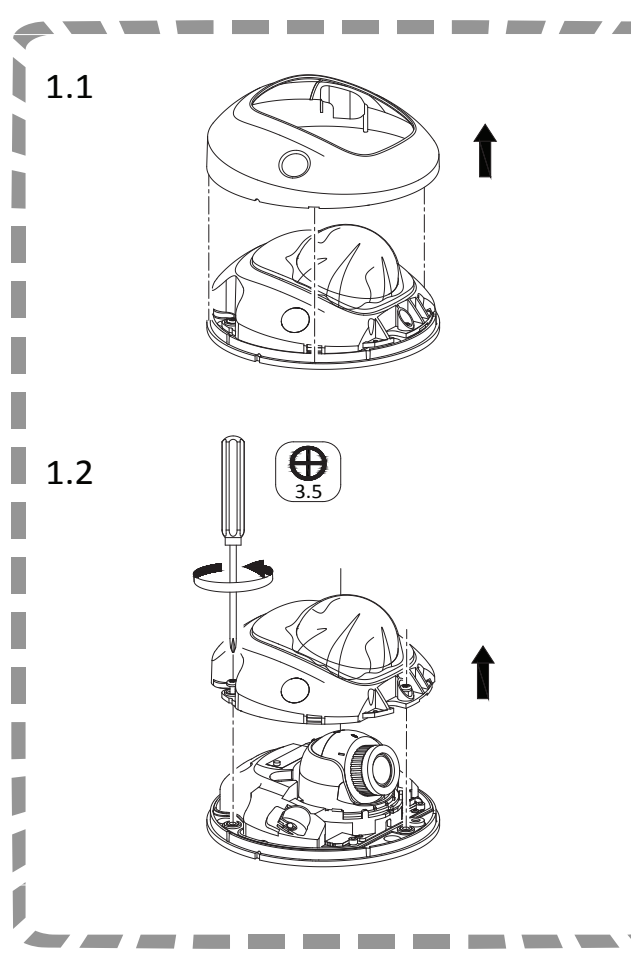
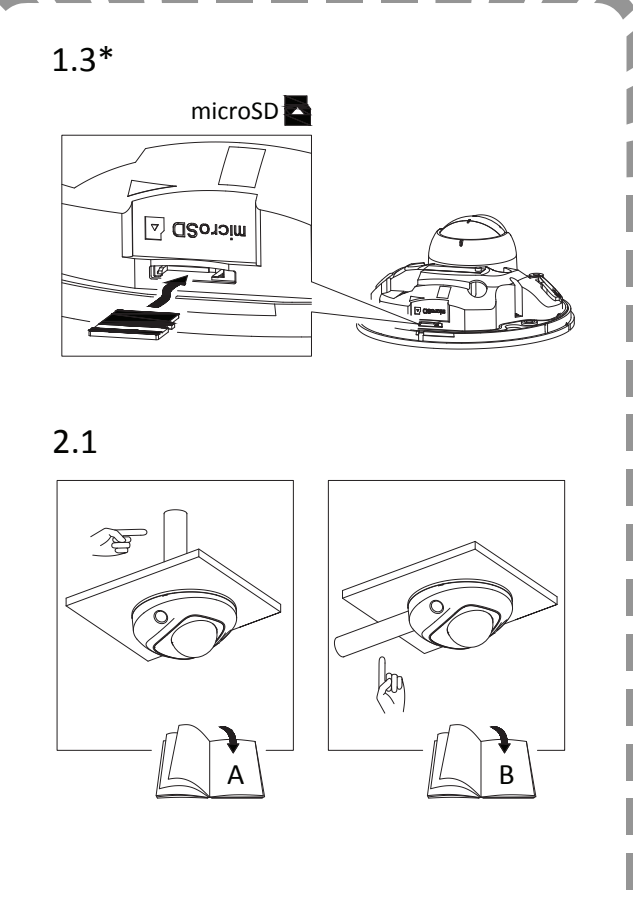
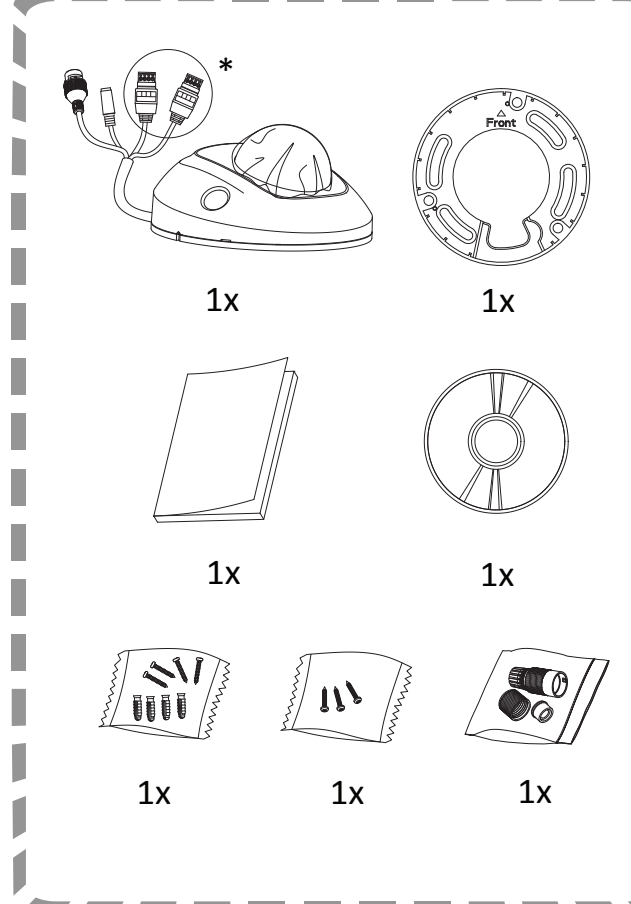
The standard power supply is 85 VAC to 245 VAC, or PoE (802.3at), please make sure your power supply matches with your camera.

Make sure that the power has been disconnected before you wire, install, or disassemble the device.

Make sure that no reflective surface is too close to the camera lens. The IR light from the camera may reflect back into the lens causing reflection.

### Symbols and Marks

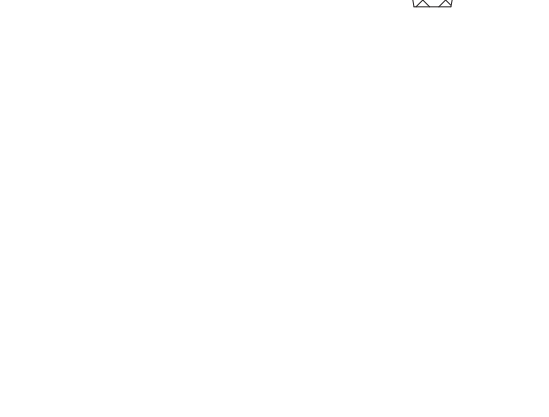
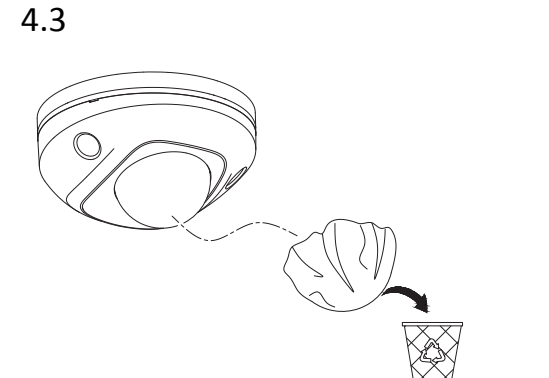
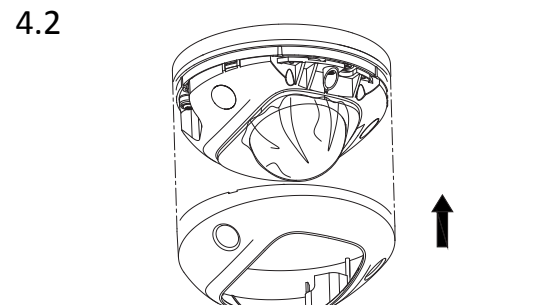
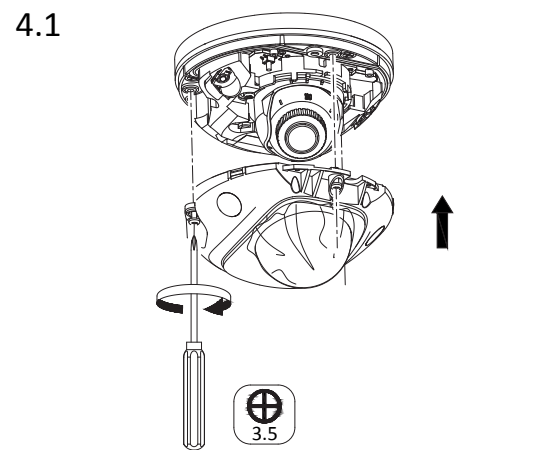
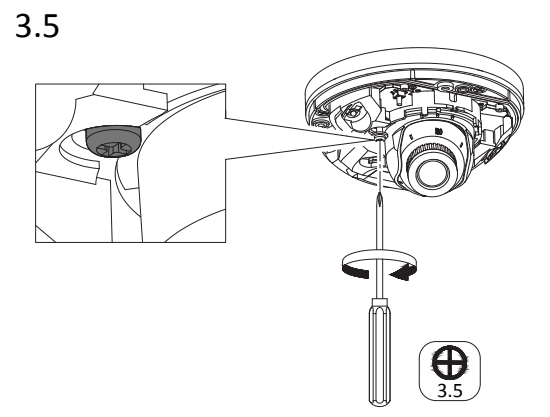
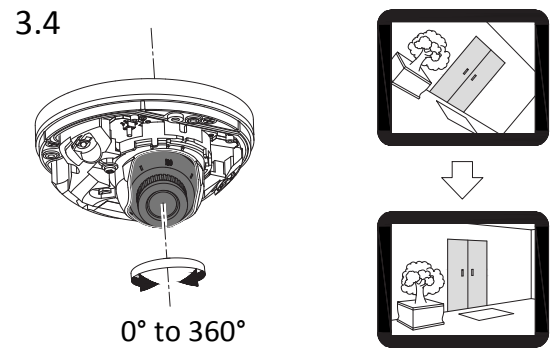
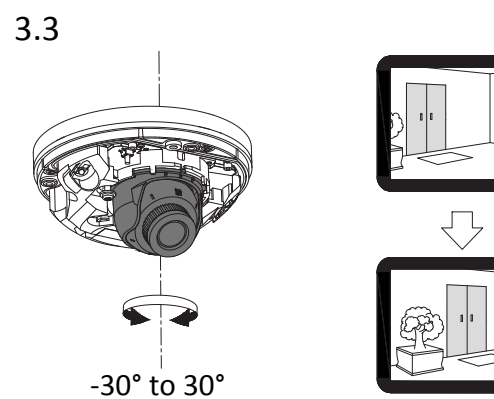
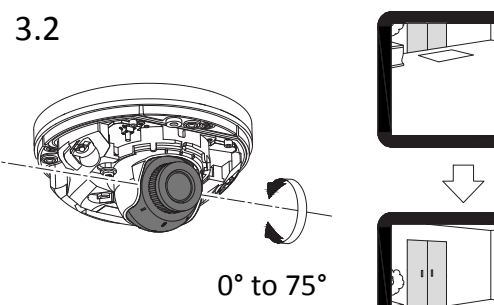
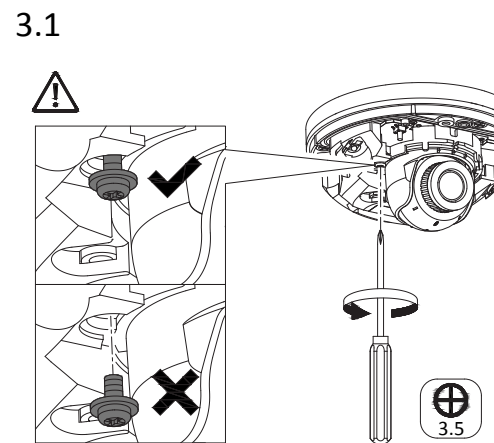
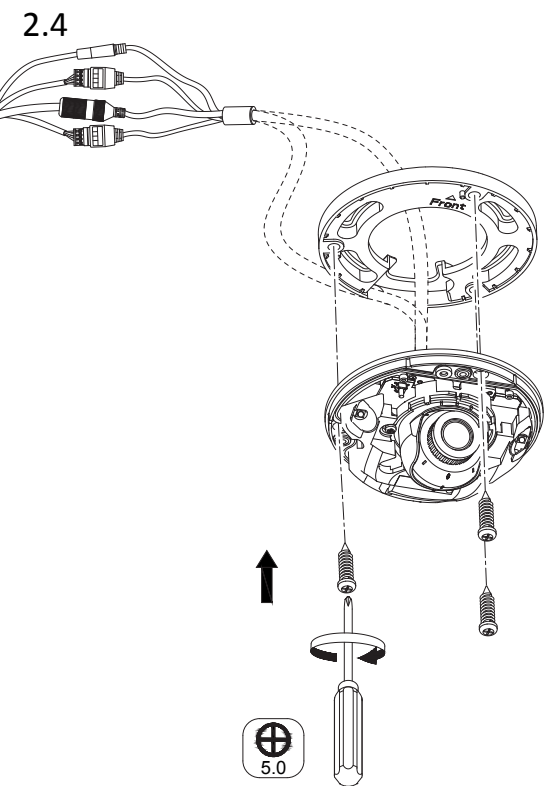
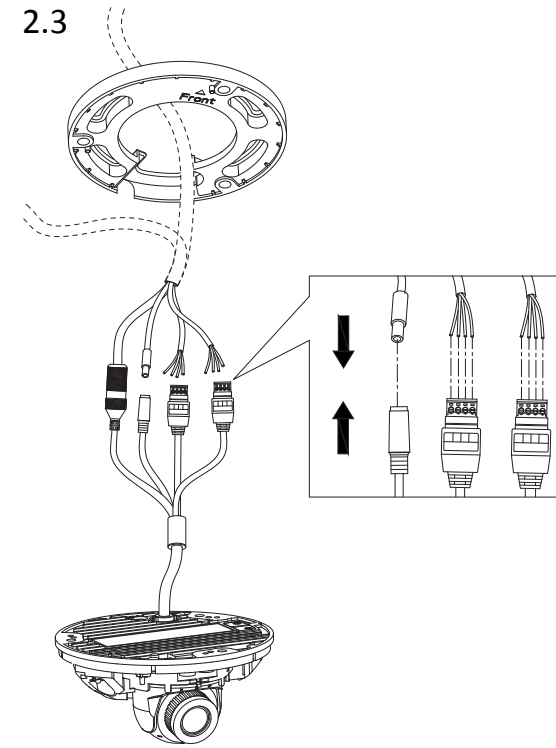
-  Notice
-  Purchase separately
-  Not necessarily included accessory/  
Skip this step if not required.
-  Attention
-  Disposal



Compact Dome Network Camera

CA-2340F6

Quick Start Guide



## 1 Activate Camera

The camera need to be activated by setting a strong password before using. This part introduces camera activation using diffent client tools.

### 1.1 Activate via SADP

SADP is a tool to detect, activate and modify the IP address of the camera in LAN.

#### Before You Start

- Get the SADP software from the supplied disk or the official website, and install the SADP according to the prompts.
- The camera and the PC that runs the SADP tool should be within the same subnet.

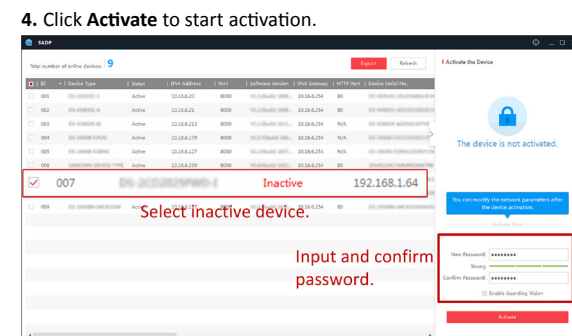
The following steps show how to activate one device and modify its IP address. For batch activation and IP address modification, refer to *User Manual of SADP* for details.

#### Steps

- Run the SADP software and search the online devices.
- Find and select your device in online device list.
- Input new password (admin password) and confirm the password.

#### Caution

**STRONG PASSWORD RECOMMENDED**-We highly recommend you create a strong password of your own choosing (using a minimum of 8 characters, including upper case letters, lower case letters, numbers, and special characters) in order to increase the security of your product. And we recommend you reset your password regularly, especially in the high security system, resetting the password monthly or weekly can better protect your product.



Status of the device becomes **Active** after successful activation.

#### 5. Modify IP address of the camera.

- Select the device.
- Change the device IP address to the same subnet with your computer by either modifying the IP address manually or checking **Enable DHCP**.
- Input the admin password and click **Modify** to activate your IP address modification.

## 2 Visit Camera

This part introduces how to visit the camera via Web browser or client softwares.

### 2.1 Visit Camera via Web Browser

#### Before You Start

Check the system requirement to confirm that the operating computer and web browser meets the requirements.

Table 2-1 System Requirement

Operating System	Microsoft Windows XP and above version, Mac OS X 10.8 and above version
CPU	3.0 GHz or higher
RAM	1 GB or higher
Display	1024 × 768 resolution or higher
Web Browser	Internet Explorer 8.0 and above version, Mozilla Firefox 30.0-51, Google Chrome 31.0-44, Safari 8.0+

#### Steps

- Open the web browser.
- Input IP address of the camera to enter the login interface.
- Input user name and password.

#### Note

Illegal login lock is activated by default. If admin user performs 7 failed password attempts (5 attempts for user/operator), the IP address is blocked for 30 minutes.

If illegal login lock is not needed, go to **Configuration** → **System** → **Security** → **Security Service** to turn it off.

- Click **Login**.

#### 5. Download and install appropriate plug-in for your web browser.

For IE based web browser, webcomponents and <sup>TM</sup> are optional. For non-IE based web browser, webcomponents, <sup>TM</sup>, VLC and MJPEG are optional.

### 2.2 Visit Camera via Guarding Expert

Add the camera to client software before further operation. Refer to the *Guarding Expert Client Software User Manual* for detailed setting steps.

## 3 Operating via Mobile Client

Guarding Vision is an application for mobile devices. Using the App, you can view live image, receive alarm notification and so on.

#### Note

Guarding Vision service should be supported by the camera.

### 3.1 Enable Guarding Vision Service on Camera

Guarding Vision service should be enabled on your camera before using the service.

You can enable the service through SADP software or web browser.

#### 3.1.1 Enable Guarding Vision Service via Web Browser

Follow the following steps to enable Guarding Vision Service via Web Browser.

#### Before You Start

You need to activate the camera before enabling the service.

#### Steps

- Access the camera via web browser.
- Enter platform access configuration interface. **Configuration** → **Network** → **Advanced Settings** → **Platform Access**
- Select Platform Access Mode as Guarding Vision.
- Check the checkbox of Enable.
- Click and read "Terms of Service" and "Privacy Policy" in pop-up window.
- Create a verification code or change the old verification code for the camera.

#### Note

The verification code is required when you add the camera to Guarding Vision app.

- Save the settings.

#### 3.1.2 Enable Guarding Vision Service via SADP Software

This part introduce how to enable Guarding Vision service via SADP software of an activated camera.

#### Steps

- Run SADP software.
- Select a camera and enter **Modify Network Parameters** page.
- Check the checkbox of Enable Guarding Vision
- Create a verification code or change the old verification code.

#### Note

The verification code is required when you add the camera to Guarding Vision app.

- Click and read "Terms of Service" and "Privacy Policy".

- Confirm the settings.

### 3.2 Set up Guarding Vision

#### Steps

- Download and install the Guarding Vision app by searching "Guarding Vision" in App Store or <sup>TM</sup>.
- Launch the app and register for a Guarding Vision user account.
- Log in after registration.


### 3.3 Add Camera to Guarding Vision

#### Steps

- Connect your mobile device to a Wi-Fi.
- Log into the Guarding Vision app.
- In the home page, tap "+" on the upper-right corner to add a camera.
- Scan the QR code on the bottom of the camera or on the *Quick Start Guide* cover.

#### Note

If the QR code is missing or too blur to be recognized, you can

also add the camera by tapping the  and inputting the camera's serial number.

- Input the verification code of your camera.

#### Note

- The required verification code is the code you create or change when you enabling Guarding Vision service on camera.
- If you forget the verification code, you can check the current verification code on **Platform Access** configuration page via web browser.

- Tap **Connect to a Network** button in the popup interface.

- Choose **Wired Connection** or **Wireless Connection** according to your camera function.

**Wireless Connection** Input the Wi-Fi password that your mobile phone has connected to, and tap **Next** to start the Wi-Fi connection process. (Locate the camera within 3 meters from the router when setting up the Wi-Fi.)

**Wired Connection** Connect the camera to the router with a network cable and tap **Connected** in the result interface.

#### Note

The router should be the same one that your mobile phone has connected to.

- Tap **Add** button in the next interface to finish adding.

For detailed information, refer to the user manual of the Guarding Vision app.

### 3.4 Initialize the Memory Card

Memory card required initialization before saving recordings of the camera.

#### Steps

- Check the memory card status by tapping on the **Storage Status** in the device settings interface.
- If the memory card status displays as **Uninitialized**, tap to initialize it. The status change to **Normal** after successful initialization.

#### Result

You can then start recording any event triggered video in the camera such as motion detection.