



Hospital Grade 5-15P to C13 Power Cable - SJT - 14AWG

PWC-H105C-03 - Specifications

Description

This power cord consists of a 5-15P hospital grade male on one end and a C13 female on the other end. It is typically used to connect hospital equipment to a PDU or a wall outlet. These cables are constructed with UL mandated inner plastic frame molds to enhance terminal alignment and produce a high quality connector. The connectors premium quality ensures a snug fit with receptacles. Each assembly is 100% continuity tested and 100% HVT (High Voltage) tested and inspected before shipping.

Physical Characteristics

Color	Black
Length	3 foot
Number of Conductors	3 Conductor
Wire Gauge	14 AWG
Jacket	Heavy Duty SJT
Jacket Material	100% Virgin PVC - Polyvinyl Chloride
Jacket Fire Rating	FT2, VW-1
Strain Relief	Molded 100% Virgin PVC
Conductor Material	100% bare copper
Temperature Rating	-20 deg C to 105 deg C

Connector(s)

Connector A	IEC 60320 C13
Connector B	NEMA 5-15P Hospital Grade

Performance

Power Rating	15 Amp / 125 Volt
--------------	-------------------

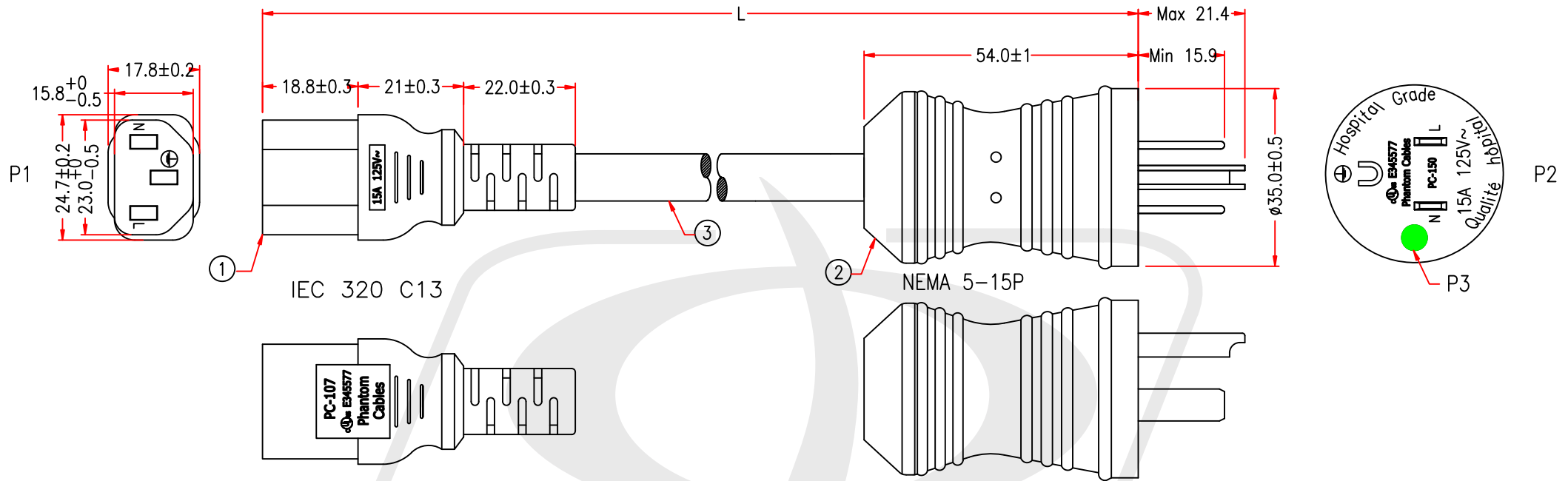
Approvals / Environmental

C13	c(UL)us
5-15P	c(UL)us
Cable	c(UL)us
RoHS	Yes
Reach	Yes
Conflict Minerals	Yes

Warranty Information

Warranty	Limited Lifetime
----------	------------------

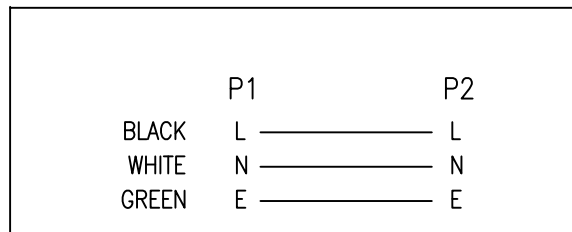




P1,P2: cULus E345577

CABLE MARKING:

Phantom Cables c(UL)us E345578 SJT 3/C 14AWG(2.08mm²) 105°C 300V VW-1



P/N.	LENGTH(Lmm)	LENGTH(Xmm)	Barcode content
PWC-H105C-03	915mm	895mm	675678087747
PWC-H105C-06	1830mm	1810mm	675678087754
PWC-H105C-10	3050mm	3030mm	675678087761
PWC-H105C-15	4570mm	4550mm	675678087778

Tolerance

>0±0.30

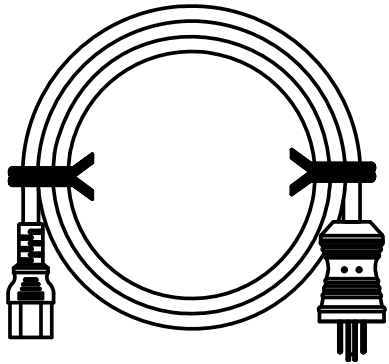
>1.0±0.50

>10.0±1.0

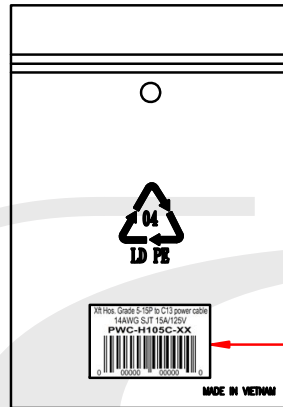
>20.0±2.0

Angle: ±1°

PACKING :

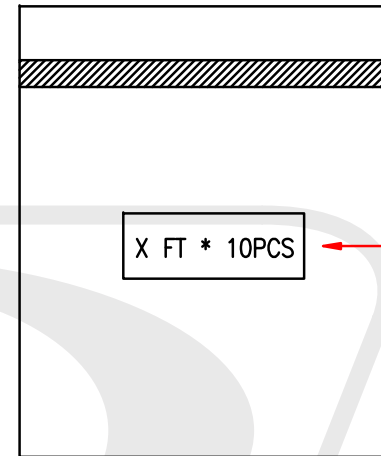


PACKING:
1PCS IN A ZIP BAG

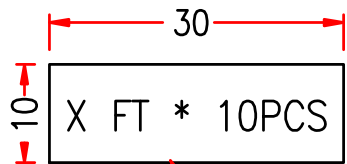


LABEL

PACKING: 1-10FT
10PCS IN A BIG POLYBAG



LABEL A



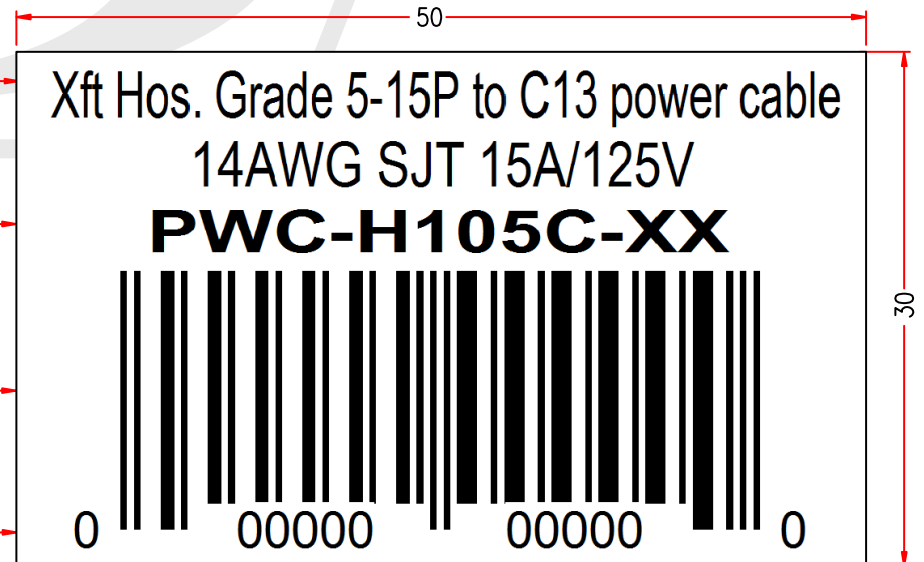
LABEL A

LENGTH

P/N

BARCODE TYPE: UPCA

BARCODE CONTENT SEE LIST



LABEL