



C14 to 2 x C13 Power Adapter

PW-AD101 - Specifications

Description

This adapter consists of a C14 plug on one end and two C13 receptacle on the other. It is primarily used to adapt or convert an existing power cable.

Physical Characteristics

| | |
|-----------------------|-------------------|
| Connector Plating | Nickel |
| Color | Black |
| Electrical Rating | Up to 10A at 250V |
| Insulation Resistance | 100MΩ |
| Dielectric Voltage | 2000V/sec |

Connectors

| | |
|-------------|----------|
| Connector A | C14 Plug |
| Connector B | 2x C13 |

Environmental

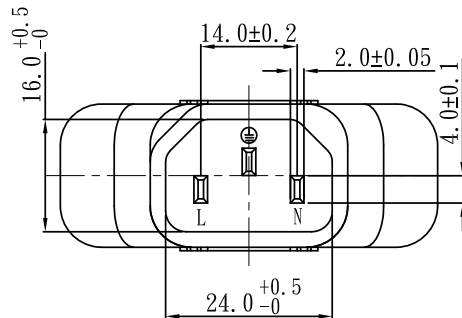
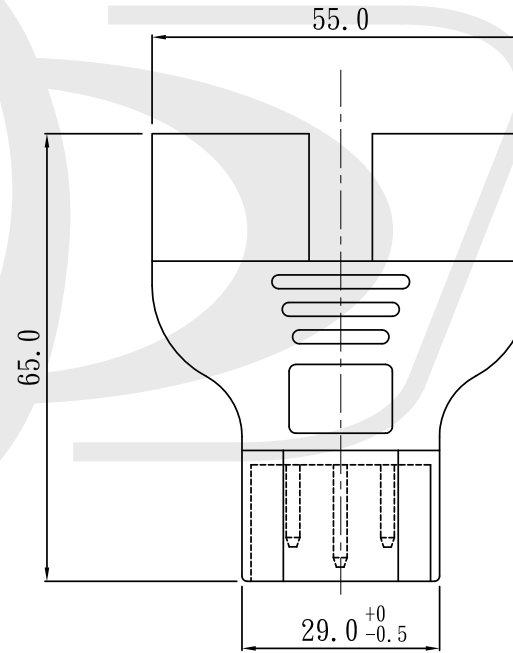
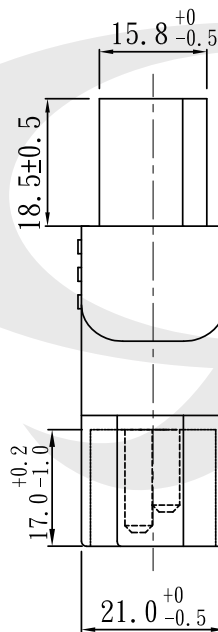
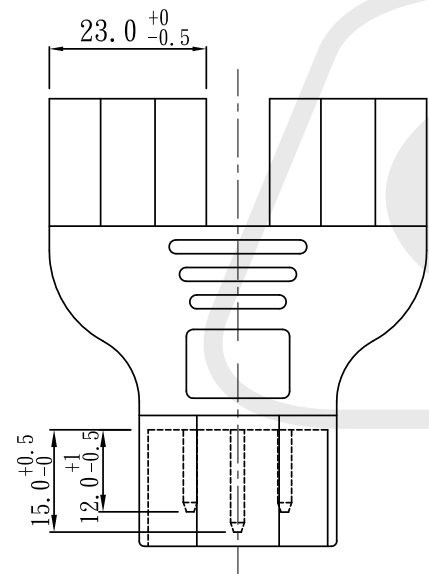
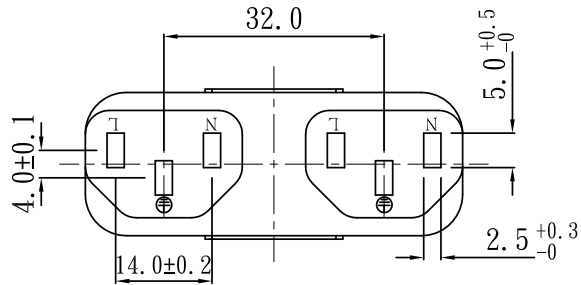
| | |
|-------|-----------------------------|
| RoHS | Yes |
| Reach | Yes |
| ISO | ISO14001:2015, ISO9001:2015 |

Packaging Information

| | |
|--------------------|-------------------|
| Packaging Quantity | 1 |
| Product Weight | 0.10 lbs [0.04kg] |



Two IEC 60320 C13s to IEC 60320 C14 Plug



60MM

CAUTION: This plug adapter does NOT transform voltage or current. Verify that your device can safely operate at the voltage supplied by the source before connecting. Assure voltage and current are less than or equal to the rating listed on the adapter. Voltage mismatch can cause damage to your device or even bodily harm.

60MM

TOLERANCE
 >0±0.30
 >1.0±0.50
 >10.0±1.0
 >20.0±2.0
 Angle:
 ±1°