



5-15P to C13 Power Adapter

PW-AD014 - Specifications

Description

This adapter consists of a 5-15P plug on one end and a C13 receptacle on the other. It is primarily used to adapt or convert an existing power cable.

Physical Characteristics

Connector Plating	Nickel
Color	Black
Electrical Rating	Up to 10A at 125V
Insulation Resistance	100MΩ
Dielectric Voltage	2000V/sec

Connectors

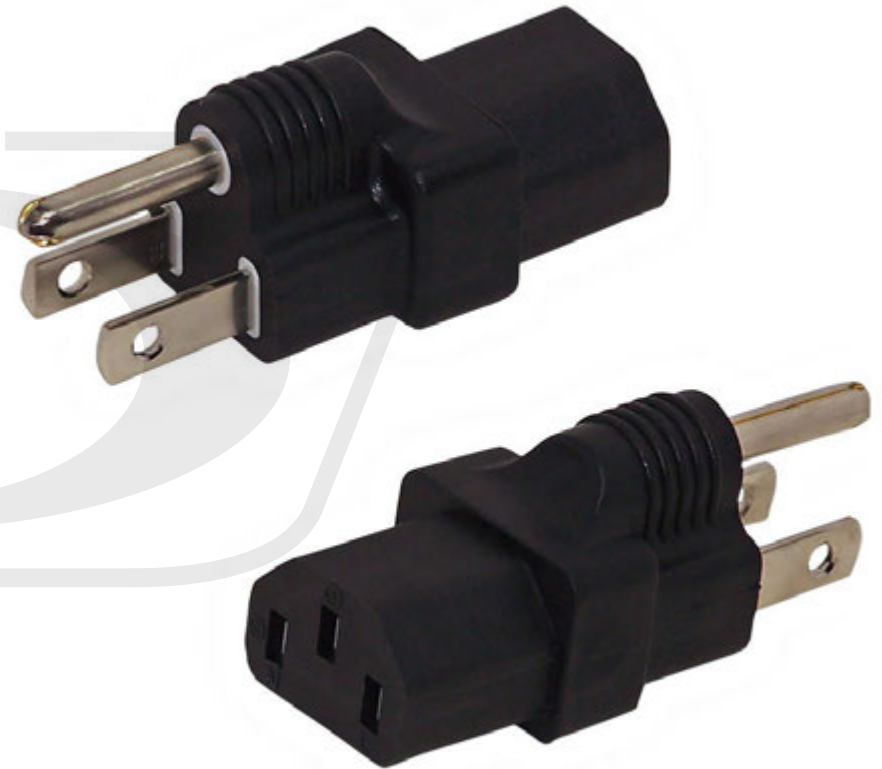
Connector A	5-15P Plug
Connector B	C13 Receptacle

Approvals/Environmental

c(UL)us	Recognized Component c(UR)us
RoHS	Yes
Reach	Yes
ISO	ISO14001:2015, ISO9001:2015

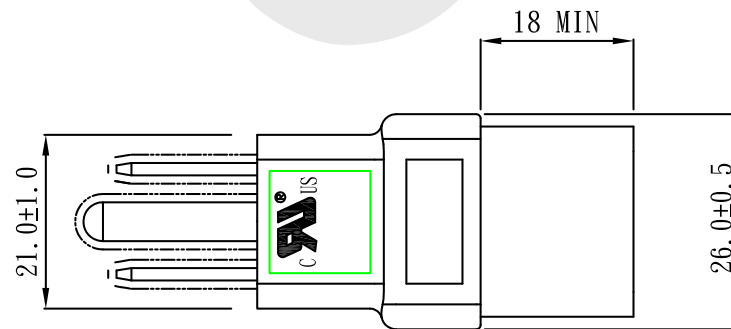
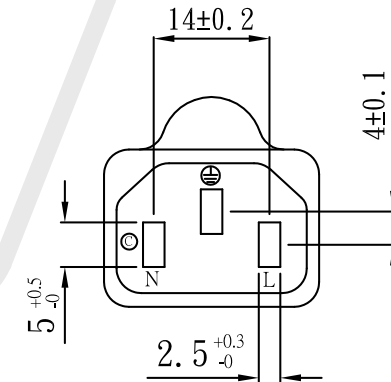
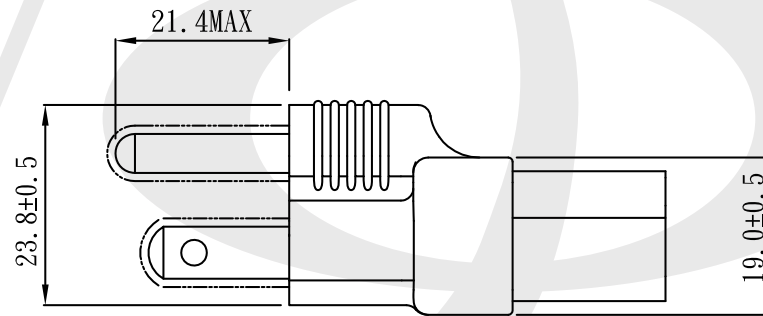
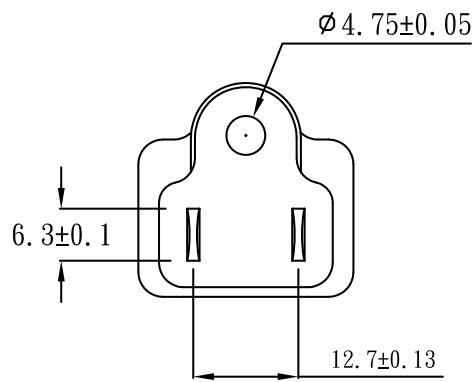
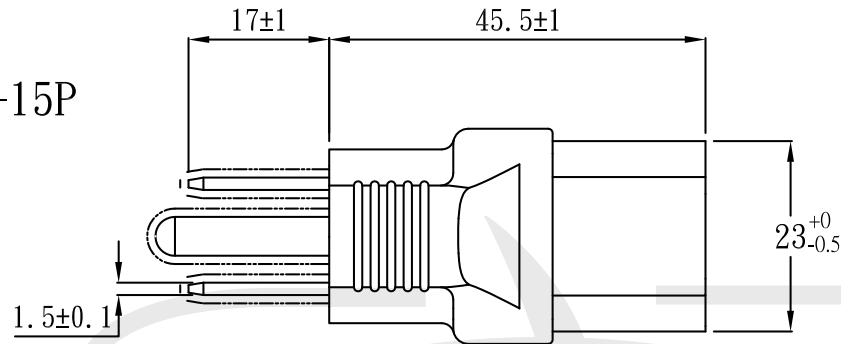
Packaging Information

Packaging Quantity	1
Product Weight	0.05 lbs [0.02kg]





IEC 60320 C13 to NEMA 5-15P



TOLERANCE
 >0±0.30
 >1.0±0.50
 >10.0±1.0
 >20.0±2.0

Angle:
 ±1°