



# 2m AS3112 (Australia) to IEC C19 Power Cord

PW-181-2M - Specifications

## Description

This power cord consists of a AS3112 male on one end and a C19 female on the other end. It is typically used to connect a server or UPS to a PDU or a wall outlet. These cables are constructed with UL mandated inner plastic frame molds to enhance terminal alignment and high quality molds. The connectors premium quality to ensure a snug fit into PDU receptacles. Each assembly is 100% continuity tested and 100% HVT (High Voltage) tested and inspected before shipping.

## Physical Characteristics

Color	Black
Length	2m
Number of Conductors	3 Conductor
Wire Gauge	1.5mm <sup>2</sup>
Jacket	H05VV-F
Jacket Material	100% Virgin PVC - Polyvinyl Chloride
Strain Relief	Molded 100% Virgin PVC

## Connector(s)

Connector A	AS3112 (Australia)
Connector B	IEC 60320 C19

## Performance

Power Rating	10 Amp / 250 Volt
--------------	-------------------

## Approvals / Environmental

Standards	Manufactured in Compliance With
ISO	AS3112 ISO 9001:2015, ISO 14000

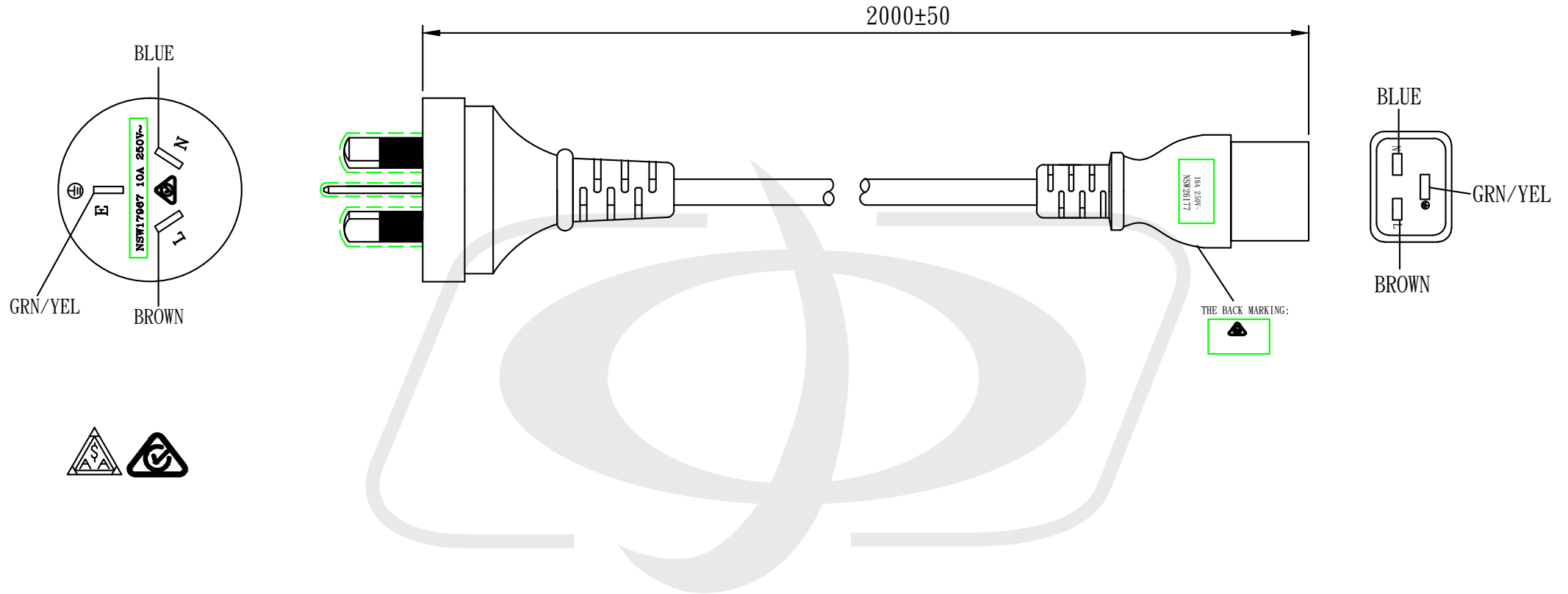
Additional Standards  
Available Upon Request

RoHS	Yes
Reach	Yes
Conflict Minerals	Yes

## Warranty Information

Warranty	Limited Lifetime
----------	------------------





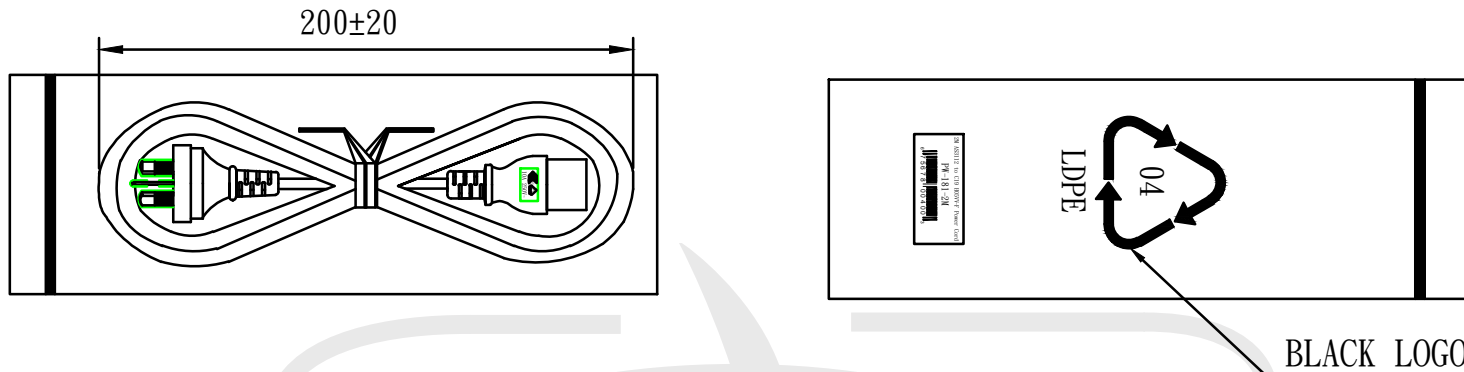
>0±0.30

>1.0±0.50

>10.0±1.0

>20.0±2.0

Angle: ±1°



THE INDIVIDUALLY PACKED CORDS WILL BE PACKED IN BAGS OF 10 PIECES

