



2m BS1363 (UK) to IEC C19 Power Cable

PW-176-2M - Specifications

Description

This power cord consists of a BS1363 male on one end and a C19 female on the other end. It is typically used to connect a server or UPS to a PDU or a wall outlet. These cables are constructed with UL mandated inner plastic frame molds to enhance terminal alignment and high quality molds. The connectors premium quality to ensure a snug fit into PDU receptacles. Each assembly is 100% continuity tested and 100% HVT (High Voltage) tested and inspected before shipping.

Physical Characteristics

Color	Black
Length	2m
Number of Conductors	3 Conductor
Wire Gauge	1.5mm ²
Jacket	H05VV-F
Jacket Material	100% Virgin PVC - Polyvinyl Chloride
Strain Relief	Molded 100% Virgin PVC

Connector(s)

Connector A	BS1363 (UK)
Connector B	IEC 60320 C19

Performance

Power Rating	13 Amp / 250 Volt
--------------	-------------------

Approvals / Environmental

Standards	Manufactured in Compliance With
ISO	BS1363 ISO 9001:2015, ISO 14000

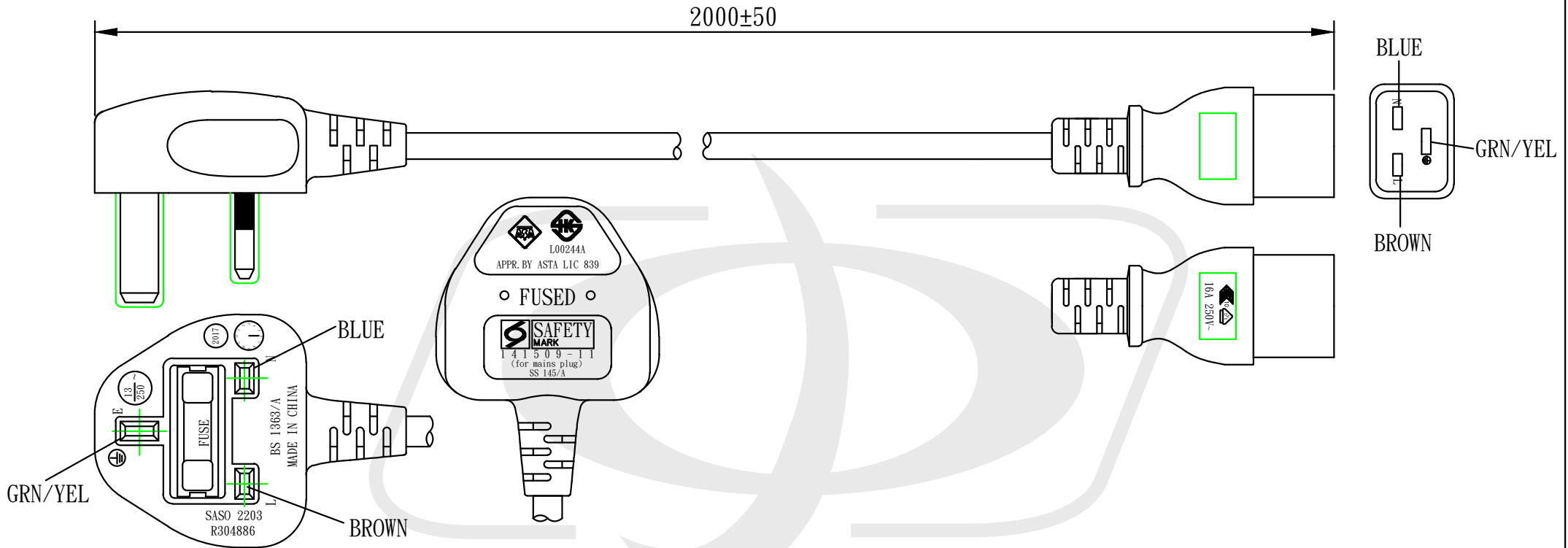
Additional Standards
Available Upon Request

RoHS	Yes
Reach	Yes
Conflict Minerals	Yes

Warranty Information

Warranty	Limited Lifetime
----------	------------------





$\frac{13}{250}$ ~ BS1363/A (2017) MADE IN CHINA



APPR. BY ASTA LIC 839



SASO 2203 R304886

Tolerance

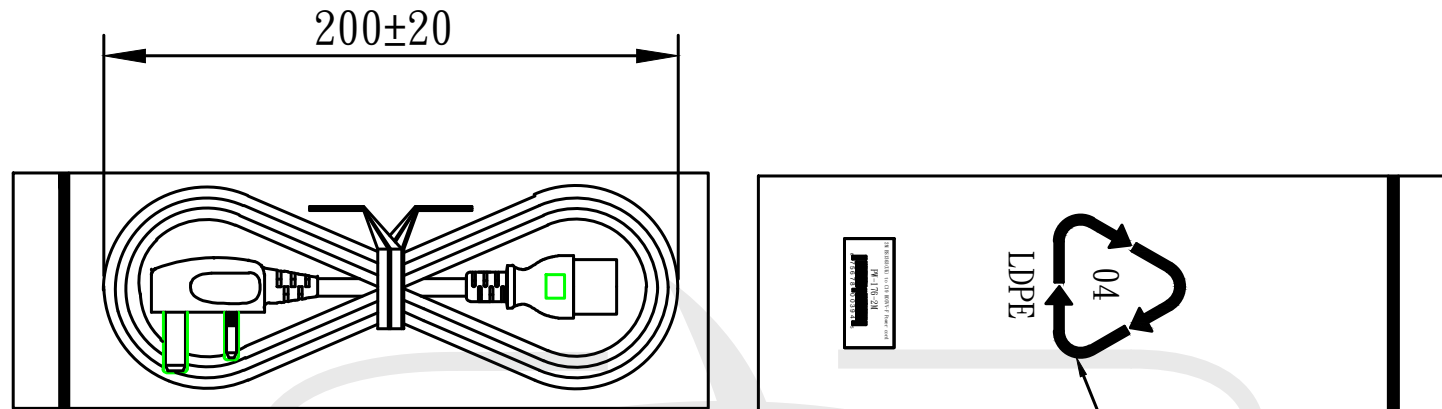
>0±0.30

>1.0±0.50

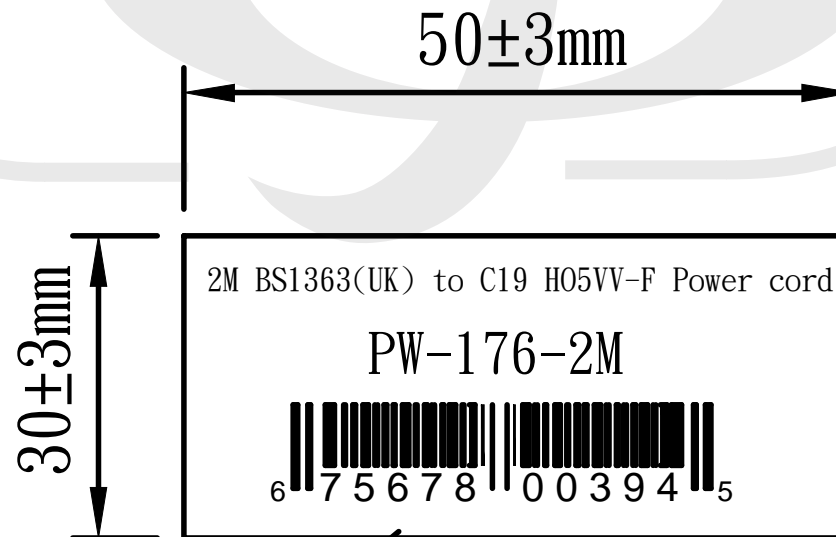
>10.0±1.0

>20.0±2.0

Angle: ±1°



THE INDIVIDUALLY PACKED CORDS WILL
BE PACKED IN BAGS OF 10 PIECES



UPC-A Code