



# NEMA L6-30P to IEC C13 Power Cable - 14AWG

PW-165-xx - Specifications

## Description

This power cord consists of a L6-30P male on one end and a C13 female on the other end. It is typically used to connect a server or UPS to a PDU or a wall outlet. These cables are constructed with UL mandated inner plastic frame molds to enhance terminal alignment and produce a high quality connector. The connectors premium quality ensures a snug fit with receptacles. Each assembly is 100% continuity tested and 100% HVT (High Voltage) tested and inspected before shipping.

## Physical Characteristics

Colors Available	Black
Lengths Available	8ft / 15ft
Number of Conductors	3 Conductor
Wire Gauge	14 AWG
Jacket	Heavy Duty SJT
Jacket Material	100% Virgin PVC - Polyvinyl Chloride
Jacket Fire Rating	VW-1, FT2
Strain Relief	Molded 100% Virgin PVC
Temperature Rating	-20 deg C to 105 deg C

## Connector(s)

Connector A	NEMA L6-30P
Connector B	IEC 60320 C13

## Performance

Power Rating	15 Amp / 250 Volt
--------------	-------------------

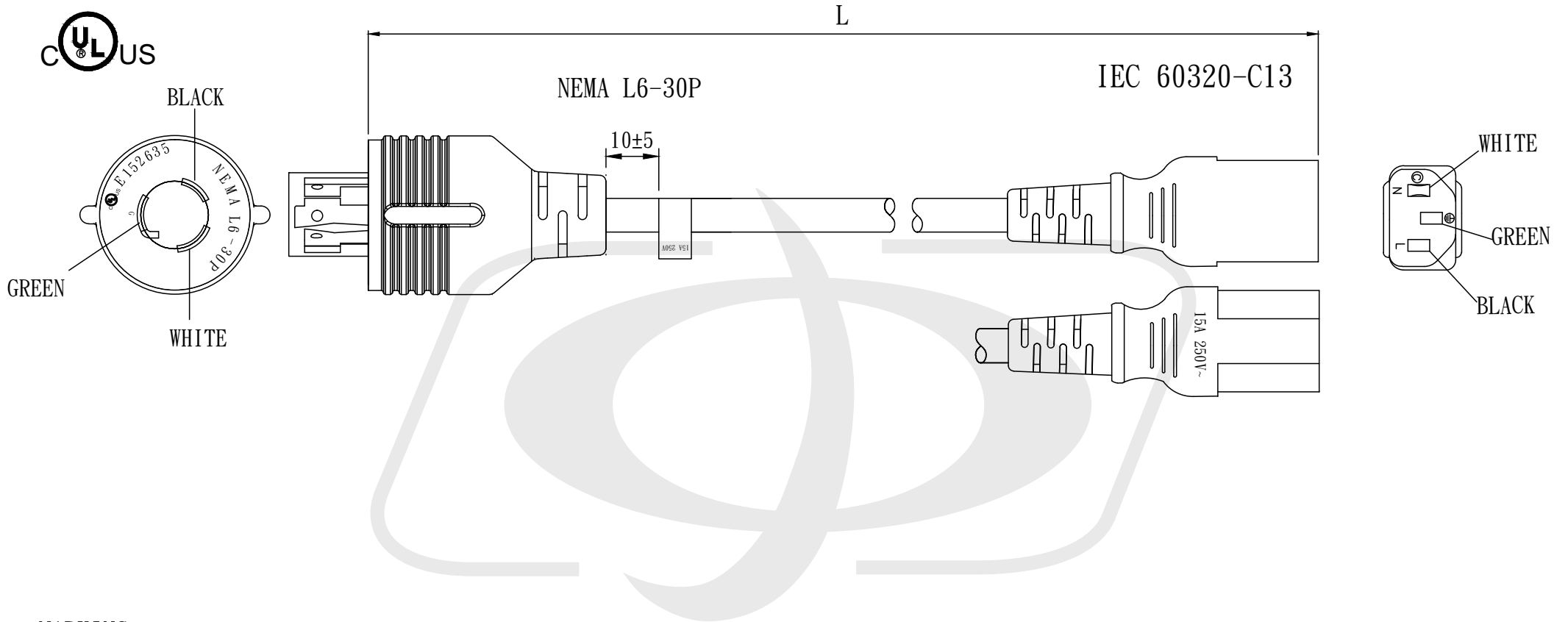
## Approvals / Environmental

L6-30P	c(UL)us
C13	c(UL)us
Cable	c(UL)us
ISO	ISO 9001:2015, ISO 14000
RoHS	Yes
Reach	Yes
Conflict Minerals	Yes

## Warranty Information

Warranty	Limited Lifetime
----------	------------------





**MARKING:**

c(UL)us E241374 SJT 3/C 14AWG(2.08mm<sup>2</sup>) 105°C 300V VW-1

**Tolerance**

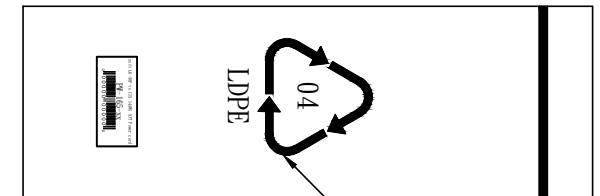
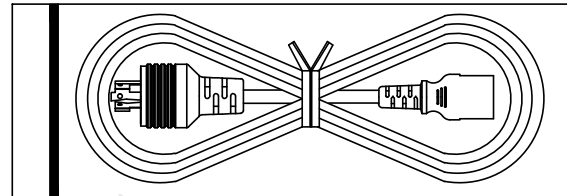
>0±0.30

>1.0±0.50

>10.0±1.0

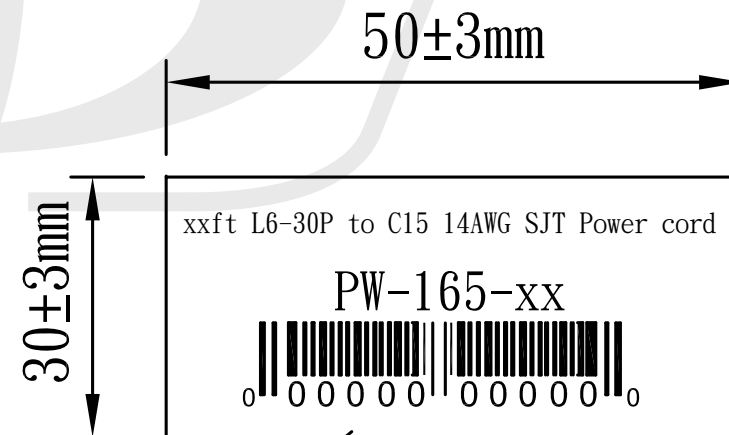
>20.0±2.0

Angle: ±1°



Black Logo

P/N	LENGTH(Lmm)	UPC
PW-165-08	2440mm	675678003785
PW-165-15	4572mm	675678003792



UPC-A Code