



8ft NEMA L5-30P to IEC C19 Power Cable - 12AWG

PW-156-08 - Specifications

Description

This power cord consists of a L5-30P male on one end and a C19 female on the other end. It is typically used to connect a server or UPS to a PDU or a wall outlet. These cables are constructed with UL mandated inner plastic frame molds to enhance terminal alignment and produce a high quality connector. The connectors premium quality ensures a snug fit with receptacles. Each assembly is 100% continuity tested and 100% HVT (High Voltage) tested and inspected before shipping.

Physical Characteristics

Color	Black
Length	8 foot [2.4m]
Number of Conductors	3 Conductor
Wire Gauge	12 AWG
Jacket	Heavy Duty SJT
Jacket Material	100% Virgin PVC - Polyvinyl Chloride
Jacket Fire Rating	FT2, VW-1
Strain Relief	Molded 100% Virgin PVC
Temperature Rating	-20 deg C to 105 deg C

Connector(s)

Connector A	NEMA L5-30P
Connector B	IEC 60320 C19

Performance

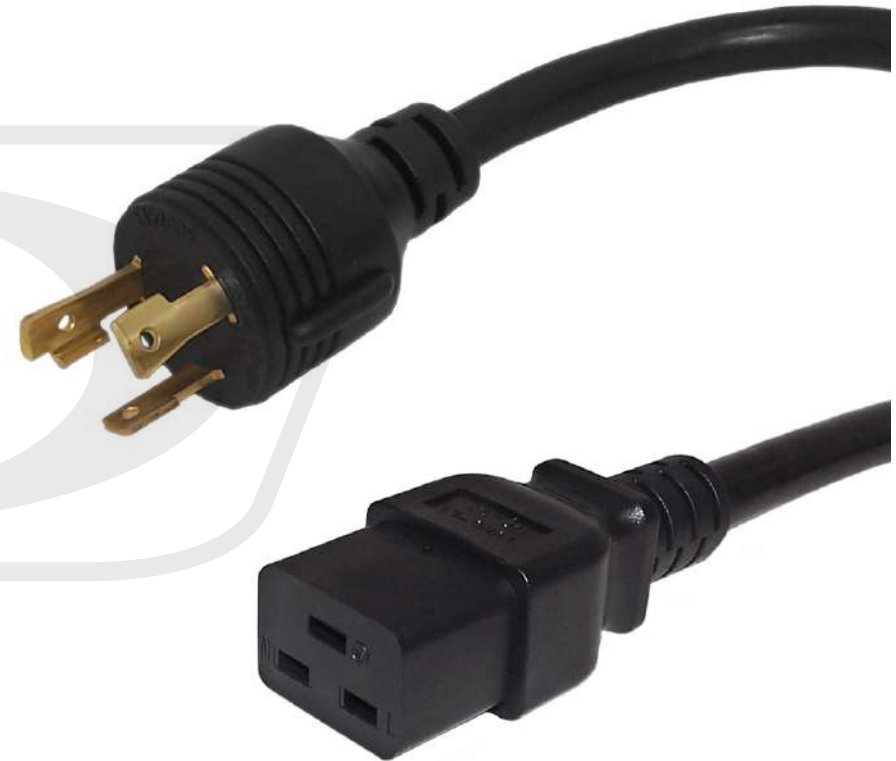
Power Rating	20 Amp / 125 Volt
--------------	-------------------

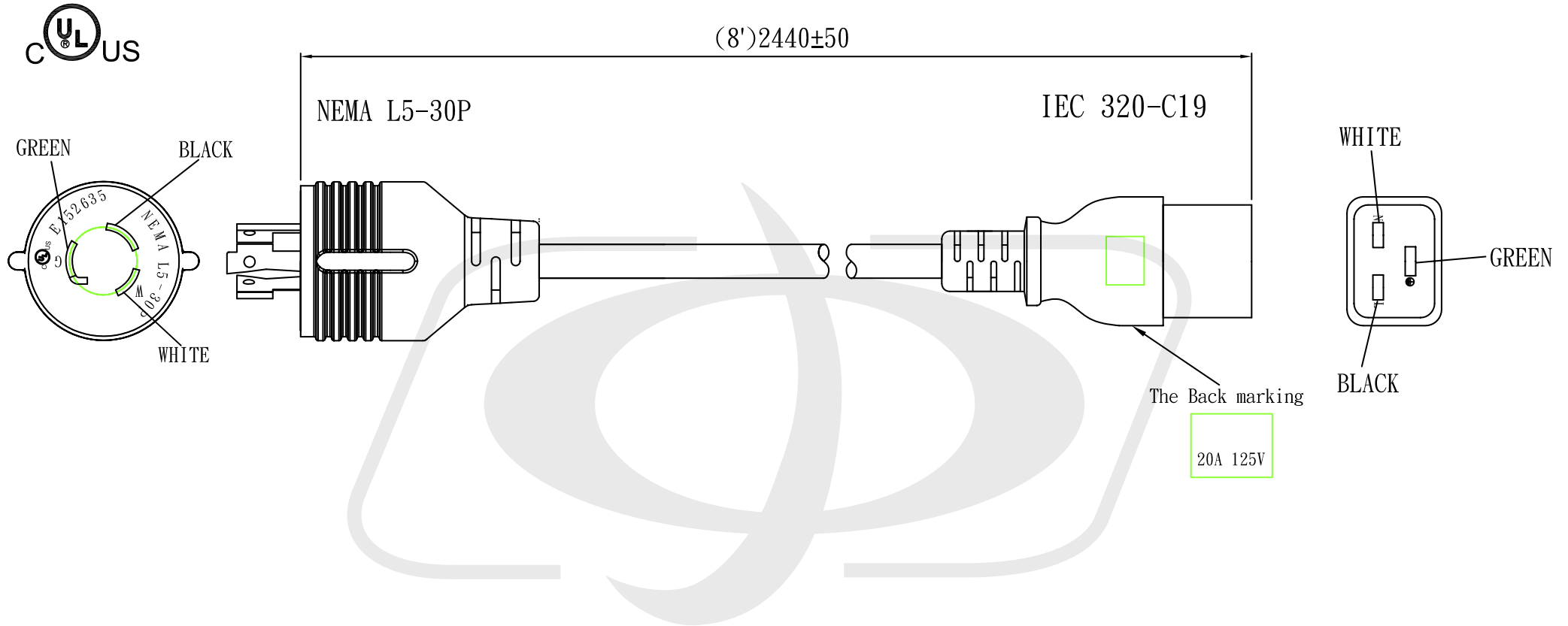
Approvals / Environmental

L5-30P	c(UL)us
C19	c(UL)us
Cable	c(UL)us
ISO	ISO 9001:2015, ISO 14000
RoHS	Yes
Reach	Yes
Conflict Minerals	Yes

Warranty Information

Warranty	Limited Lifetime
----------	------------------





MARKING:

c(UL)us E241374 SJT 3/C 12AWG(3.31mm²) 105°C 300V VW-1

Tolerance

- >0±0.30
- >1.0±0.50
- >10.0±1.0
- >20.0±2.0

Angle: ±1°

