



# 1ft NEMA 6-20P to NEMA L6-20R Power Cable - 12AWG

PW-142-01 - Specifications

## Description

This power cord consists of a 6-20P male on one end and a L6-20R female on the other end. It is typically used as an adapter cable. These cables are constructed with UL mandated inner plastic frame molds to enhance terminal alignment and produce a high quality connector. The connectors premium quality ensures a snug fit with receptacles. Each assembly is 100% continuity tested and 100% HVT (High Voltage) tested and inspected before shipping.

## Physical Characteristics

Color	Black
Length	1 foot [0.3m]
Number of Conductors	3 Conductor
Wire Gauge	12 AWG
Jacket	Heavy Duty SJT
Jacket Material	100% Virgin PVC - Polyvinyl Chloride
Jacket Fire Rating	FT2, VW-1
Strain Relief	Molded 100% Virgin PVC
Temperature Rating	-20 deg C to 105 deg C

## Connector(s)

Connector A	NEMA 6-20P
Connector B	NEMA L6-20R

## Performance

Power Rating	20 Amp / 250 Volt
--------------	-------------------

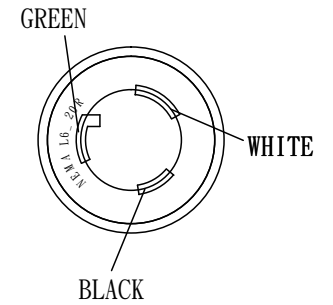
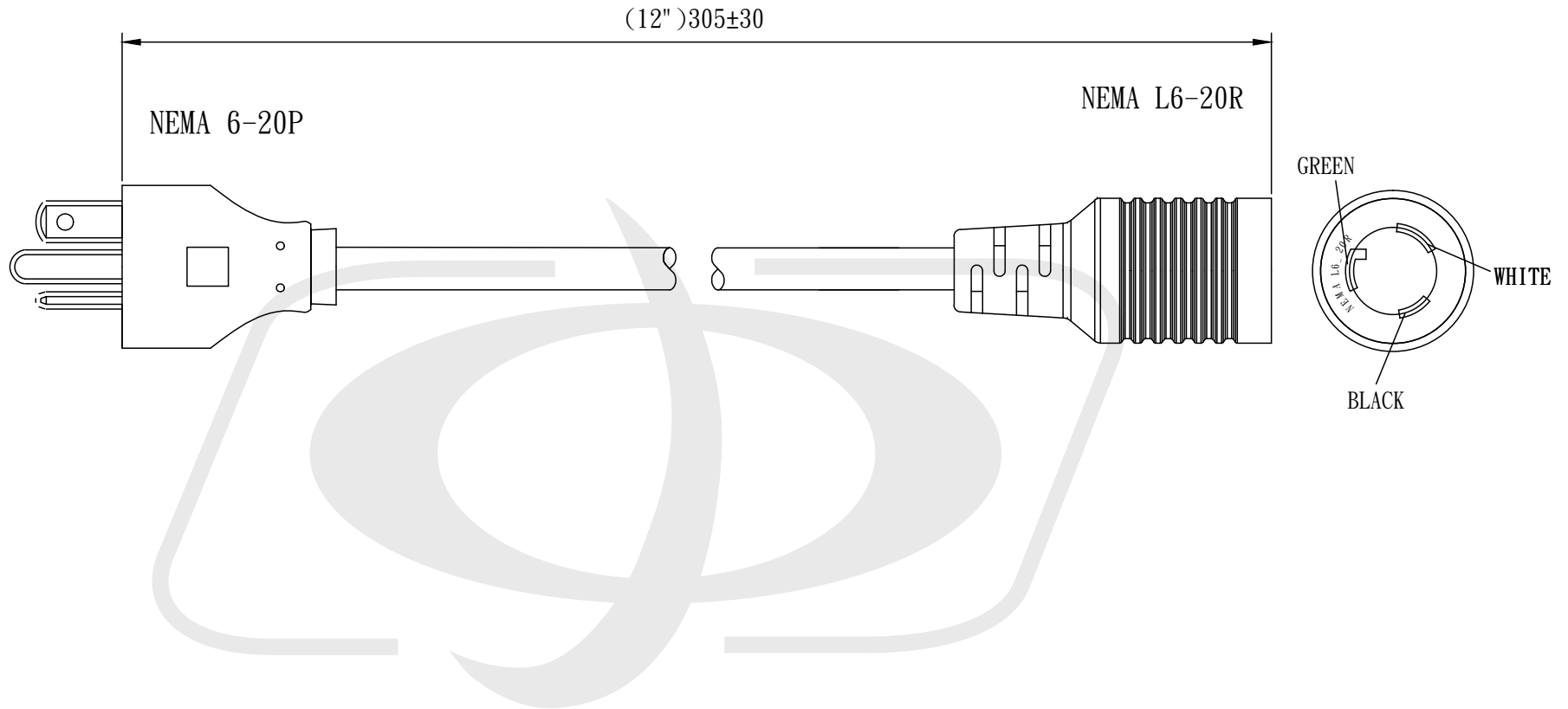
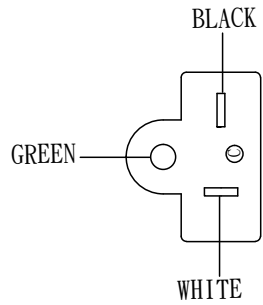
## Approvals / Environmental

6-20P	c(UL)us
L6-20R	c(UL)us
Cable	c(UL)us
ISO	ISO 9001:2015, ISO 14000
RoHS	Yes
Reach	Yes
Conflict Minerals	Yes

## Warranty Information

Warranty	Limited Lifetime
----------	------------------





Tolerance

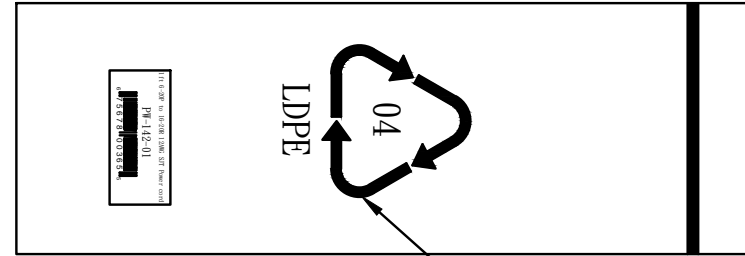
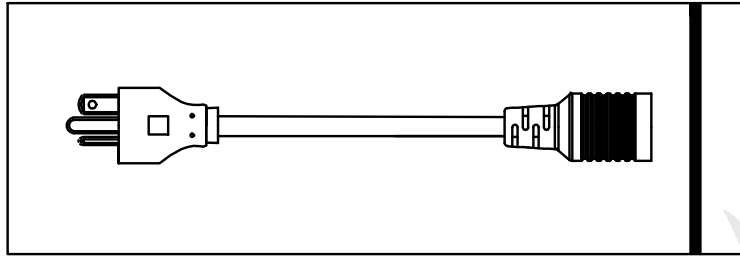
>0±0.30

>1.0±0.50

>10.0±1.0

>20.0±2.0

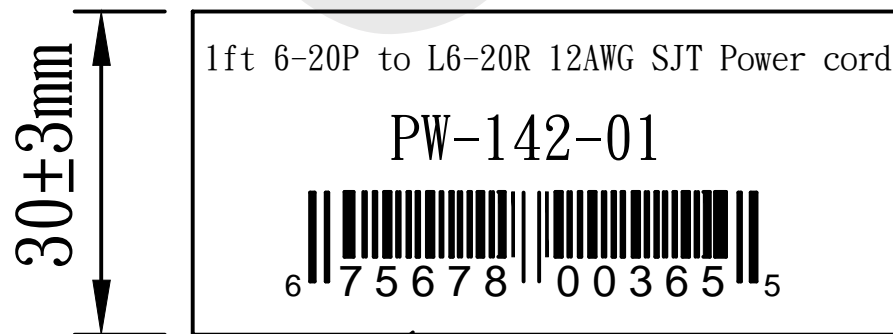
Angle: ±1°



Black Logo

THE INDIVIDUALLY PACKED CORDS WILL  
BE PACKED IN BAGS OF 10 PIECES

$50 \pm 3\text{mm}$



UPC-A Code