



1ft NEMA 5-20P to NEMA L5-20R Power Cable - 12AWG

PW-128-01 - Specifications

Description

This power cord consists of a 5-20P male on one end and a L5-20R female on the other end. It is typically used as an adapter cable. These cables are constructed with UL mandated inner plastic frame molds to enhance terminal alignment and produce a high quality connector. The connectors premium quality ensures a snug fit with receptacles. Each assembly is 100% continuity tested and 100% HVT (High Voltage) tested and inspected before shipping.

Physical Characteristics

Color	Black
Length	1 foot [0.3m]
Number of Conductors	3 Conductor
Wire Gauge	12 AWG
Jacket	Heavy Duty SJT
Jacket Material	100% Virgin PVC - Polyvinyl Chloride
Jacket Fire Rating	FT2, VW-1
Strain Relief	Molded 100% Virgin PVC
Temperature Rating	-20 deg C to 105 deg C

Connector(s)

Connector A	NEMA 5-20P
Connector B	NEMA L5-20R

Performance

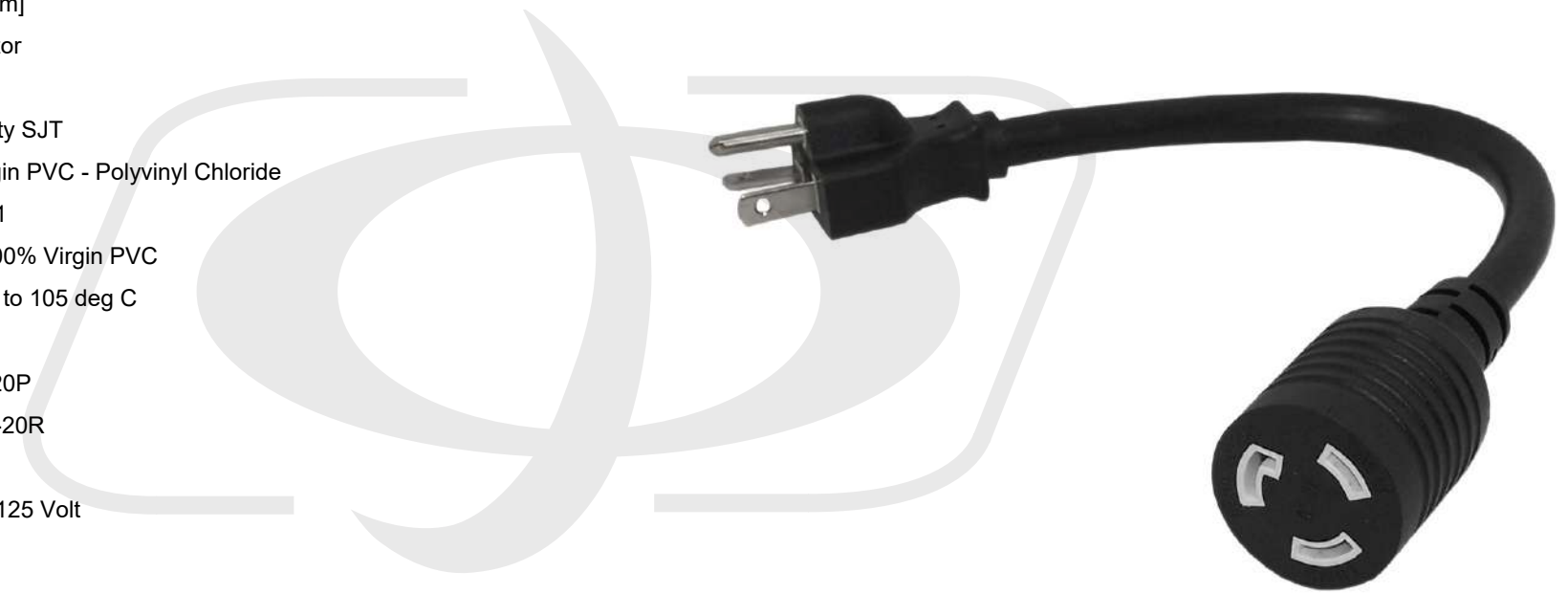
Power Rating	20 Amp / 125 Volt
--------------	-------------------

Approvals / Environmental

5-20P	c(UL)us
L5-20R	c(UL)us
Cable	c(UL)us
ISO	ISO 9001:2015, ISO 14000
RoHS	Yes
Reach	Yes
Conflict Minerals	Yes

Warranty Information

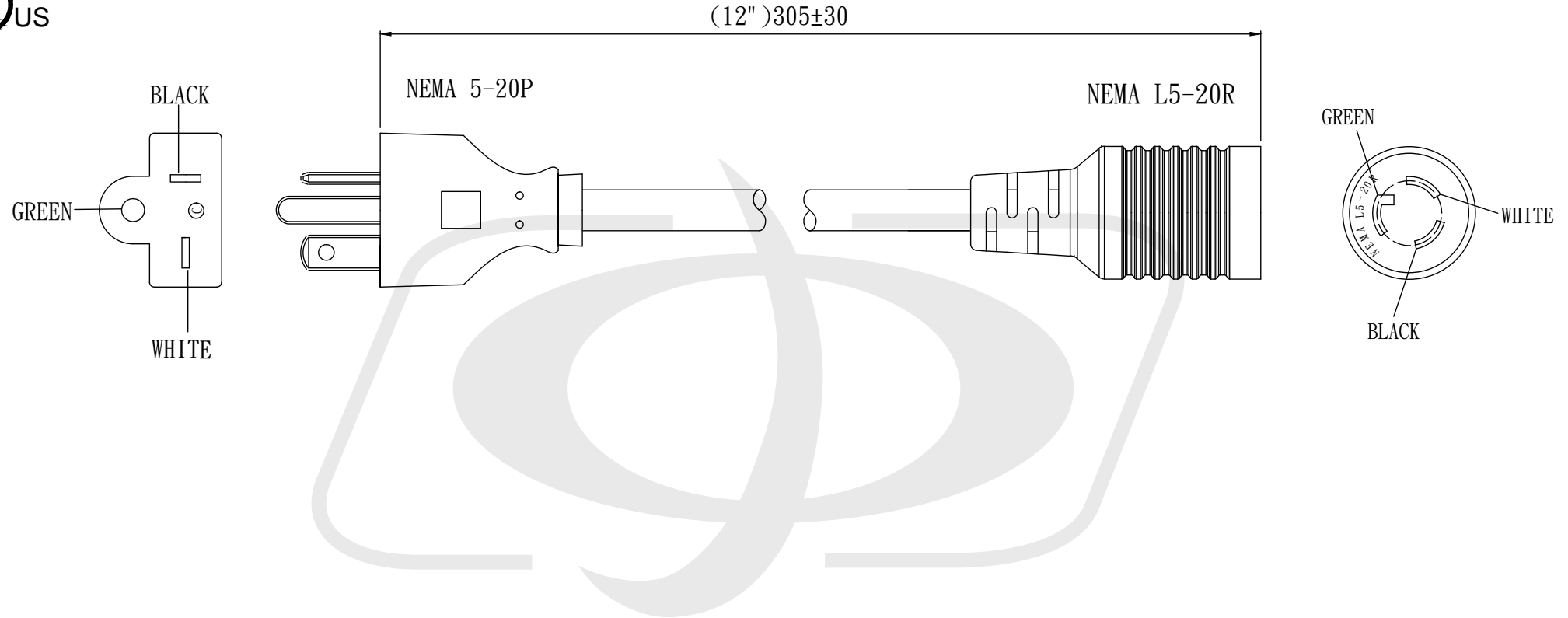
Warranty	Limited Lifetime
----------	------------------





1ft NEMA 5-20P to NEMA L5-20R Power Cable - 12AWG

PW-128-01 - Line Drawing



Tolerance

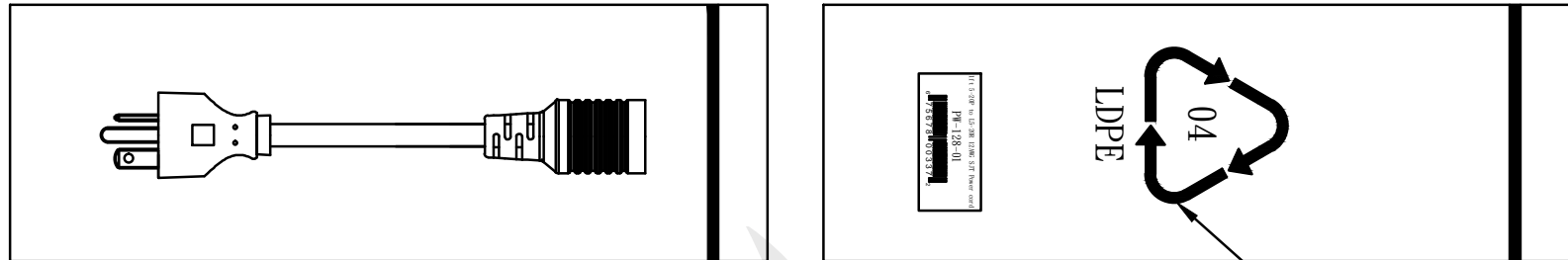
>0±0.30

>1.0±0.50

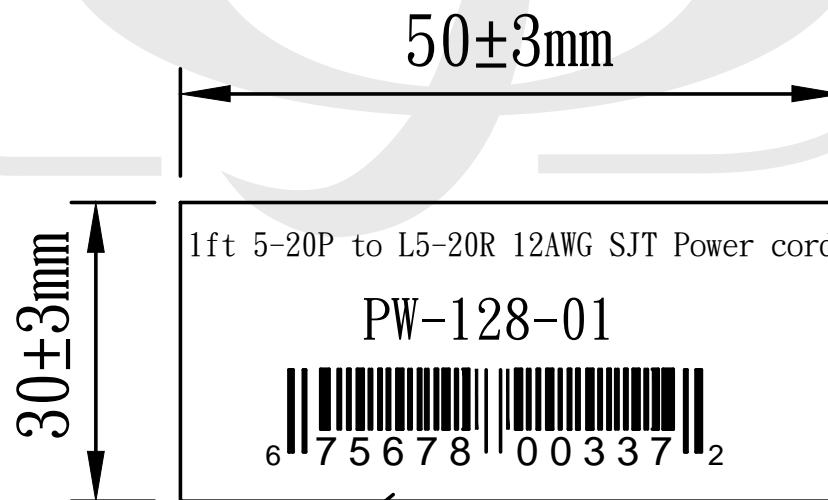
>10.0±1.0

>20.0±2.0

Angle: ±1°



THE INDIVIDUALLY PACKED CORDS WILL
BE PACKED IN BAGS OF 10 PIECES



UPC-A Code