



1ft NEMA 5-15P to NEMA L5-30R Power Cable - 14AWG

PW-1115C-01 - Specifications

Description

This power cord consists of a L5-15P male on one end and a 5-15R female on the other end. It is typically used as an adapter cable. These cables are constructed with UL mandated inner plastic frame molds to enhance terminal alignment and produce a high quality connector. The connectors premium quality ensures a snug fit with receptacles. Each assembly is 100% continuity tested and 100% HVT (High Voltage) tested and inspected before shipping.

Physical Characteristics

Color	Black
Length	1 foot [0.3m]
Number of Conductors	3 Conductor
Wire Gauge	14 AWG
Jacket	Heavy Duty SJT
Jacket Material	100% Virgin PVC - Polyvinyl Chloride
Jacket Fire Rating	FT2, VW-1
Strain Relief	Molded 100% Virgin PVC
Temperature Rating	-20 deg C to 105 deg C

Connector(s)

Connector A	NEMA 5-15P
Connector B	NEMA L5-30R

Performance

Power Rating	15 Amp / 125 Volt
--------------	-------------------

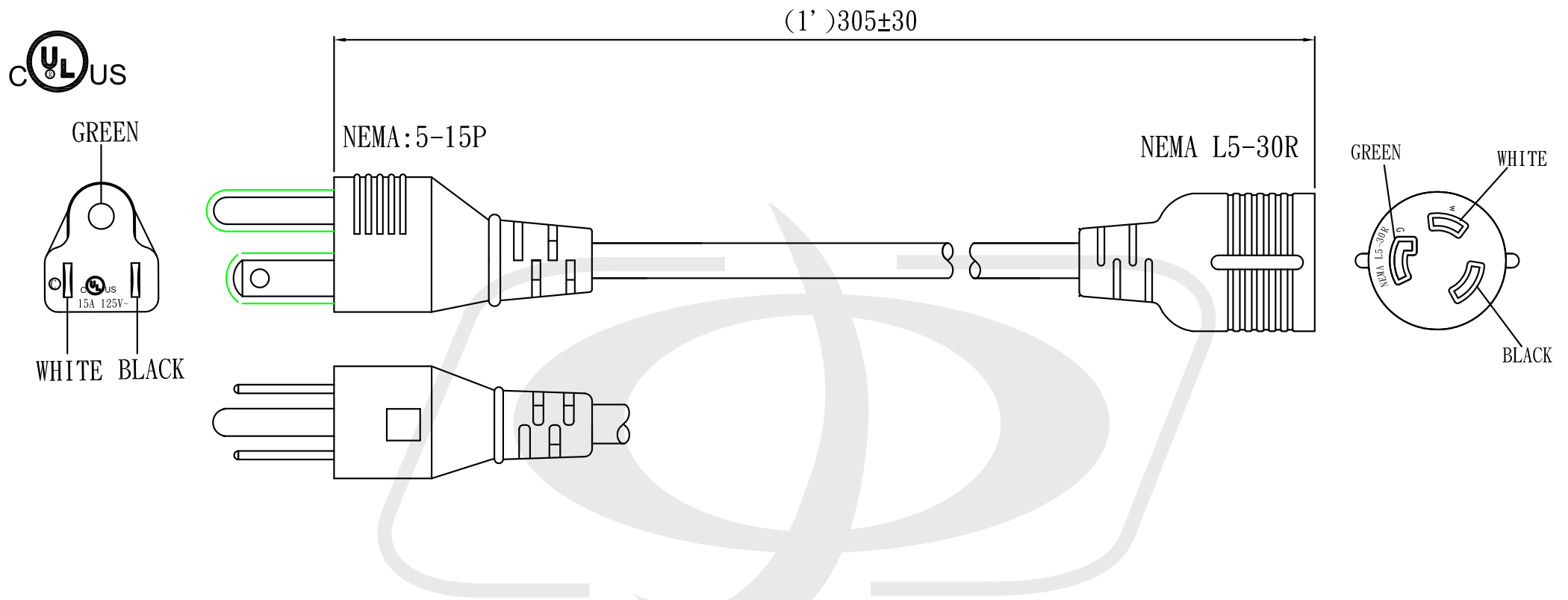
Approvals / Environmental

5-15P	c(UL)us
L5-30R	c(UL)us
Cable	c(UL)us
ISO	ISO 9001:2015, ISO 14000
RoHS	Yes
Reach	Yes
Conflict Minerals	Yes

Warranty Information

Warranty	Limited Lifetime
----------	------------------





Tolerance

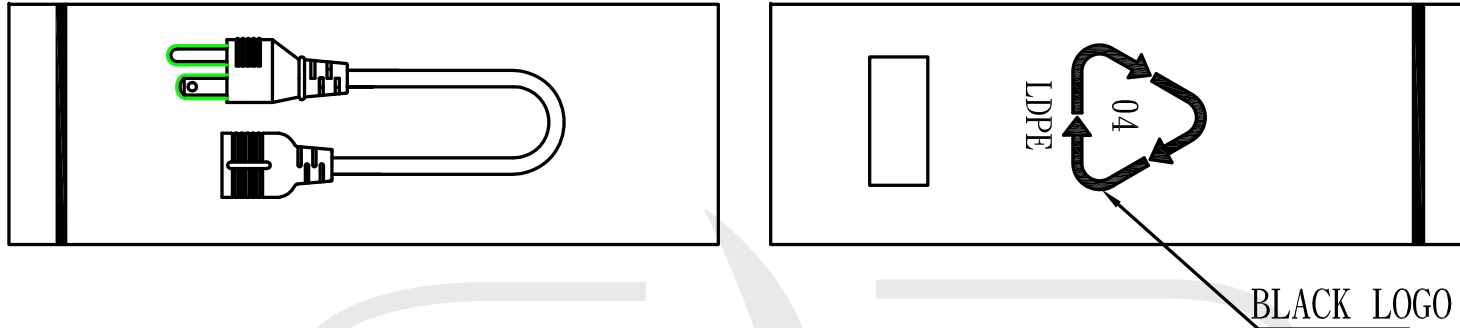
>0±0.30

>1.0±0.50

>10.0±1.0

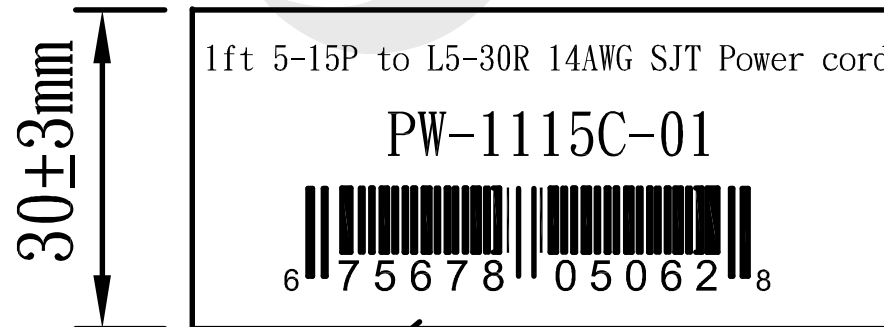
>20.0±2.0

Angle: ±1°



THE INDIVIDUALLY PACKED CORDS WILL
BE PACKED IN BAGS OF 10 PIECES

$50 \pm 3\text{mm}$



UPC-A Code