



# IEC C13 Left Angle to IEC C14 Power Cable - 18AWG

PW-100L3-xx - Specifications

## Description

This power cord consists of a C14 male on one end and a C13 left angle female on the other end. It is typically used to connect a server to a PDU in a data center environment. These cables are constructed with UL mandated inner plastic frame molds to enhance terminal alignment and produce a high quality connector. The connectors premium quality ensures a snug fit with receptacles. Each assembly is 100% continuity tested and 100% HVT (High Voltage) tested and inspected before shipping.

## Physical Characteristics

Colors Available	Black
Lengths Available	3ft / 6ft / 12ft
Number of Conductors	3 Conductor
Wire Gauge	18 AWG
Jacket	Heavy Duty SJT
Jacket Material	100% Virgin PVC - Polyvinyl Chloride
Jacket Fire Rating	VW-1, FT2
Strain Relief	Molded 100% Virgin PVC
Temperature Rating	-20 deg C to 105 deg C

## Connector(s)

Connector A	IEC 60320 C13 Left Angle
Connector B	IEC 60320 C14

## Performance

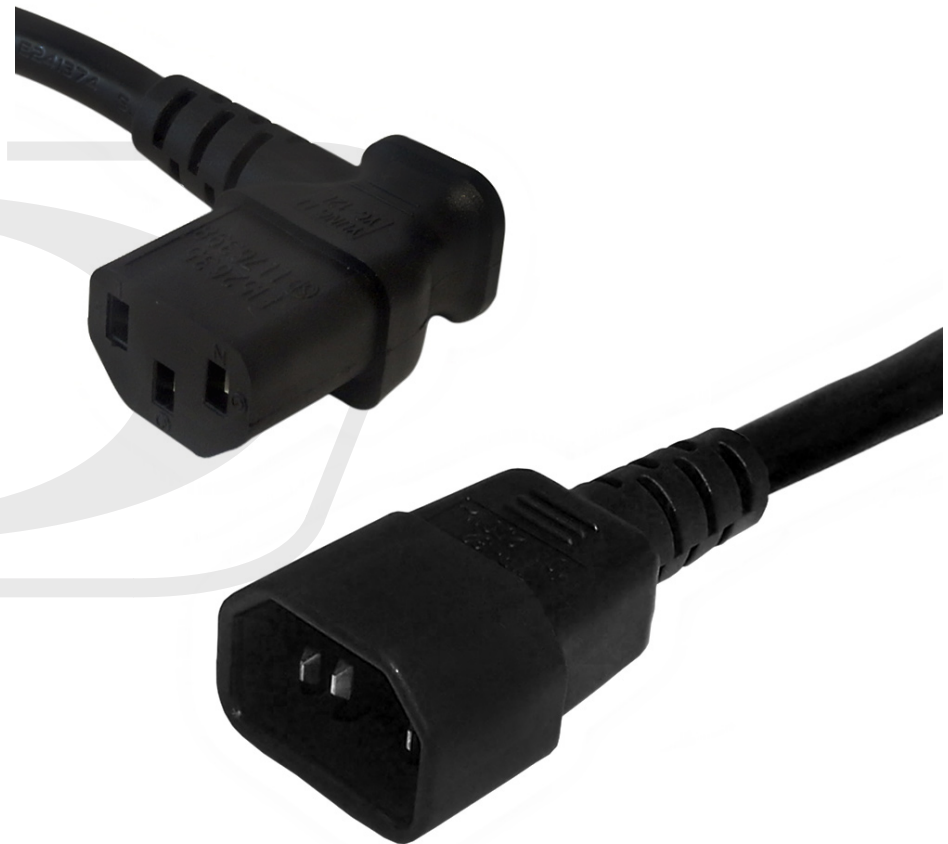
Power Rating	10 Amp / 250 Volt
--------------	-------------------

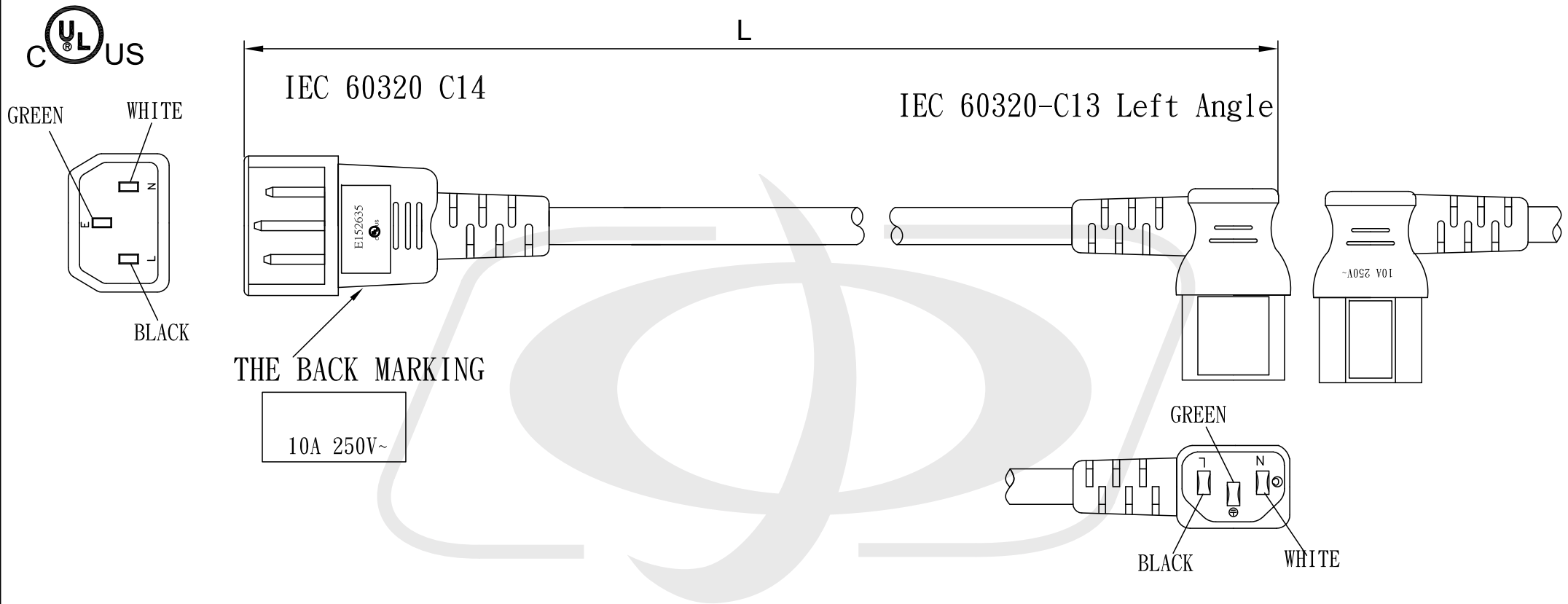
## Approvals / Environmental

C13	c(UL)us
C14	c(UL)us
Cable	c(UL)us
ISO	ISO 9001:2015, ISO 14000
RoHS	Yes
Reach	Yes
Conflict Minerals	Yes

## Warranty Information

Warranty	Limited Lifetime
----------	------------------





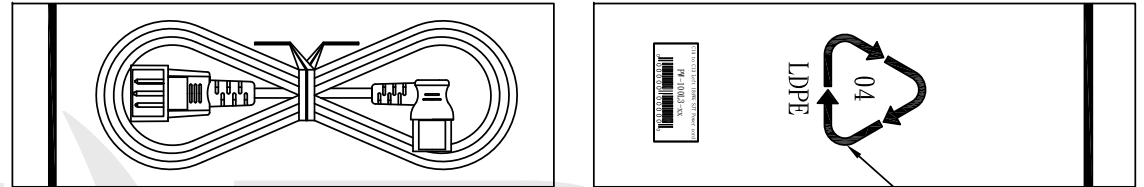
**MARKING:**

c(UL)us E241374 SJT 3/C 18AWG(0.824mm<sup>2</sup>) 105°C 300V VW-1

**Tolerance**

- >0±0.30
- >1.0±0.50
- >10.0±1.0
- >20.0±2.0

**Angle: ±1°**



THE INDIVIDUALLY PACKED CORDS WILL BE PACKED IN BAGS OF 10 PIECES

P/N	LENGTH(Lmm)	UPC
PW-100L3-03	915mm	675678000265
PW-100L3-06	1830mm	675678000272
PW-100L3-12	3660mm	675678000289

