



24-port F-Type Patch Panel, 19 inch Rackmount 1U

PP-TVF-24 - Specifications

Description

This 24 port TRS patchbay has 1/4" TRS female connectors on the front and solder connectors on the back. It is meant to be mounted on a 19" rack or cabinet.

Physical Characteristics

Color	Black Powder Coated
Material	Steel
Connector Type	F-type Female (1Ghz)
Ports	24
Product Dimensions	19" W x 1.75" H [48 cm W x 4.45 cm H]
Rackmountable	Yes, 19" Rack or Cabinet



Environmental

RoHS Yes

Packaging Information

Package Quantity	1 - Patch Panel
Product Weight	1.9 lbs [0.86 kg]

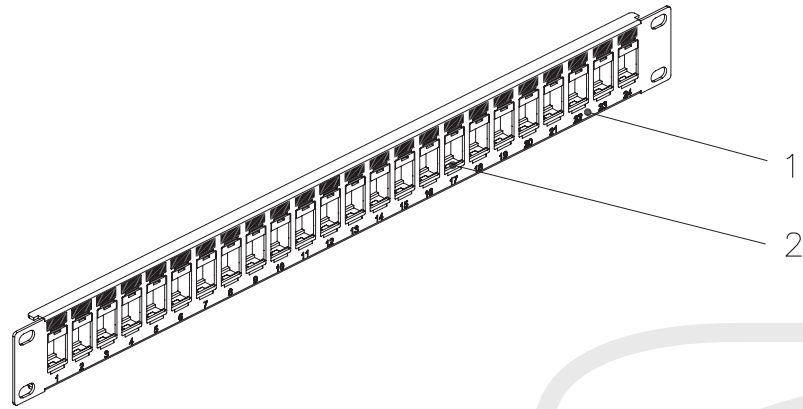
Built from components:

PP-24KS-1U
WP-INB-TVF

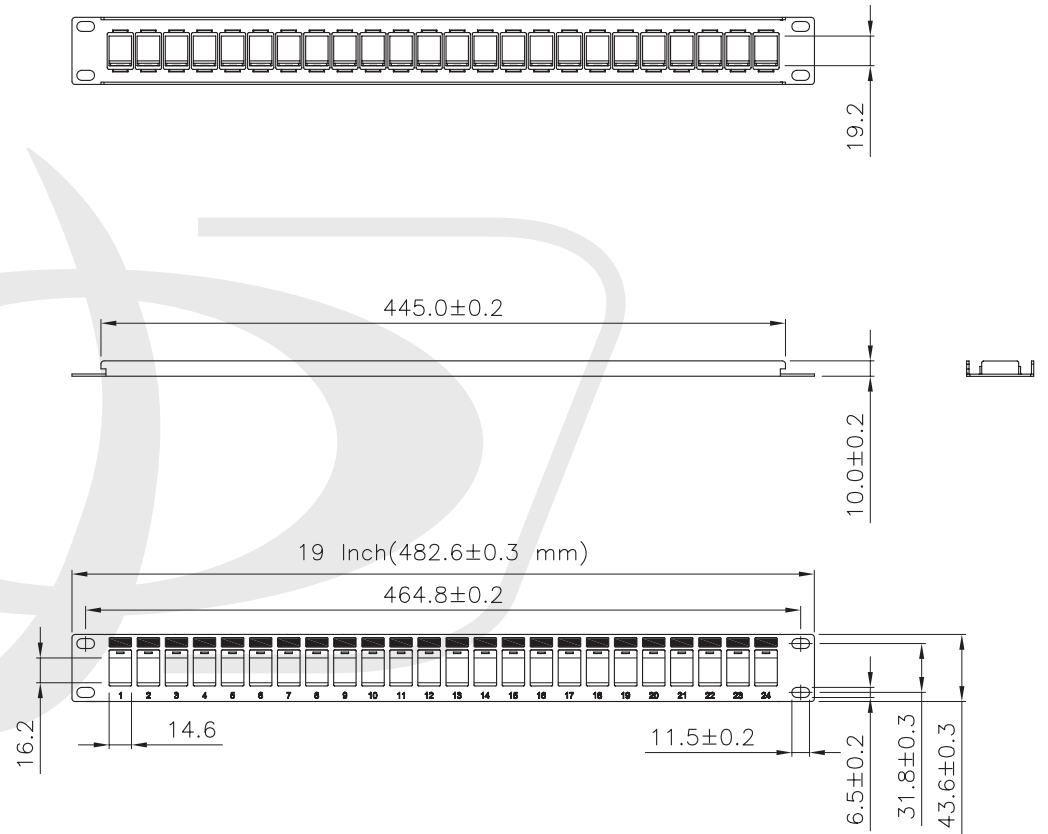


24-port Keystone Patch Panel, 19 inch Rackmount 1U - Unloaded

PP-24KS-1U - Line Drawing



SCALE 1/4



Specification :

Material :

1. Panel : SPCC, 1.5 mm thickness with Black color painted.
2. Insert : ABS, UL 94V-0.

