



16-port F-Type Patch Panel, 19 inch Rackmount 1U

PP-TVF-16 - Specifications

Description

This 16 port TRS patchbay has 1/4" TRS female connectors on the front and solder connectors on the back. It is meant to be mounted on a 19" rack or cabinet.

Physical Characteristics

| | |
|--------------------|---------------------------------------|
| Color | Black Powder Coated |
| Material | Steel |
| Connector Type | F-type Female (1Ghz) |
| Ports | 16 |
| Product Dimensions | 19" W x 1.75" H [48 cm W x 4.45 cm H] |
| Rackmountable | Yes, 19" Rack or Cabinet |



Environmental

RoHS Yes

Packaging Information

| | |
|------------------|-------------------|
| Package Quantity | 1 - Patch Panel |
| Product Weight | 1.6 lbs [0.73 kg] |

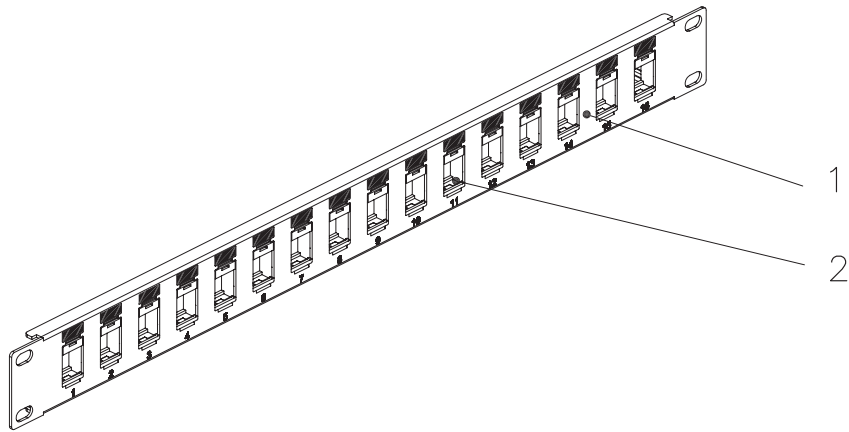
Built from components:

PP-16KS-1U
WP-INB-TVF

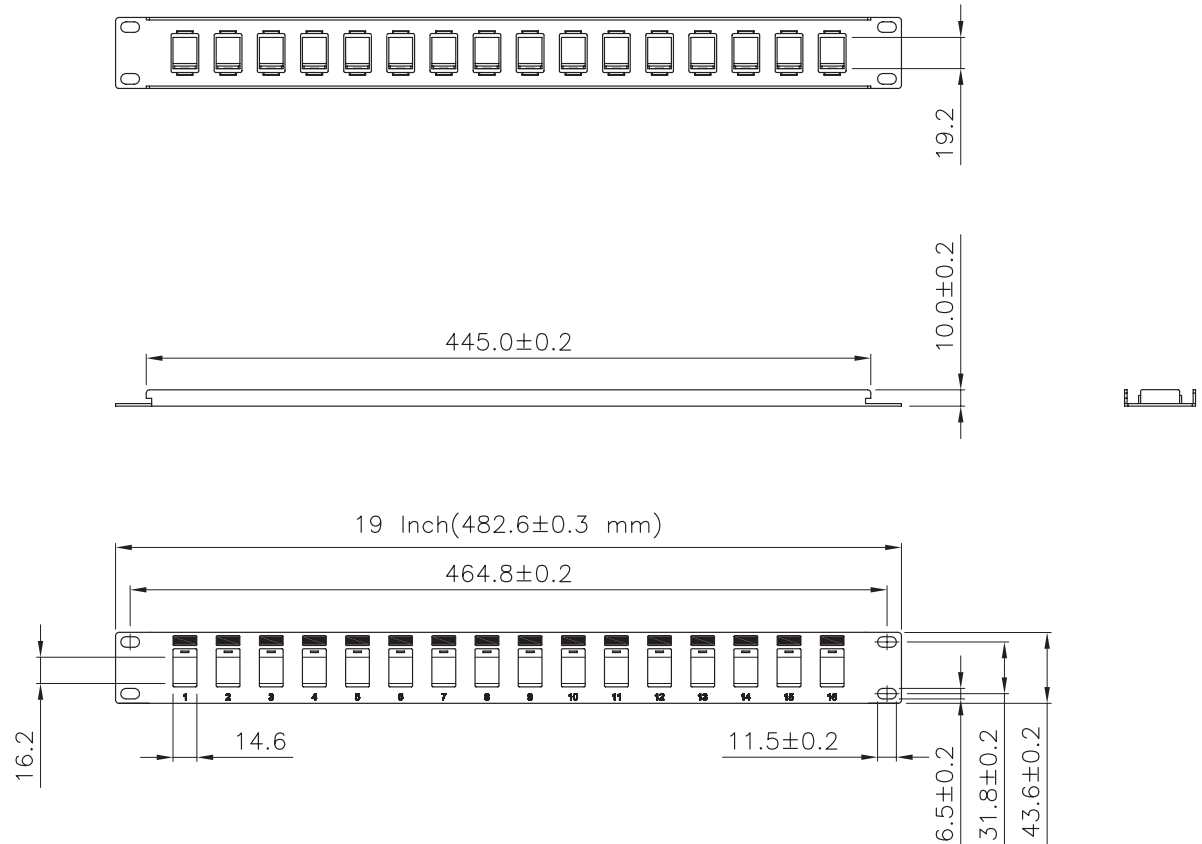


16-port Keystone Patch Panel, 19 inch Rackmount 1U - Unloaded

PP-16KS-1U - Line Drawing



SCALE 1/4



Specification :

Material :

1. Panel : SPCC, 1.5 mm thickness with Black color painted.
2. Insert : ABS, UL 94V-0, Black color.

