



# 32-Port speakON patch panel, 19 inch rackmount 2U

## PP-SPK-32 - Specifications

### Description

This 32 port speakON patchbay has 4-pole speakON connectors on the front and solder connectors on the back. It is meant to be mounted on a 19" rack or cabinet.

### Physical Characteristics

Color	Black Powder Coated
Material	Steel
Connector Type	4-Pole speakON
Ports	32
Product Dimensions	19" W 3.5" H [48 cm W, 8.9 cm H]
Rackmountable	Yes, 19" Rack or Cabinet

### Environmental

RoHS Yes

### Packaging Information

Package Quantity	1 - Patch Panel
Product Weight	2.0 lbs [0.91 kg]



### **Built from components:**

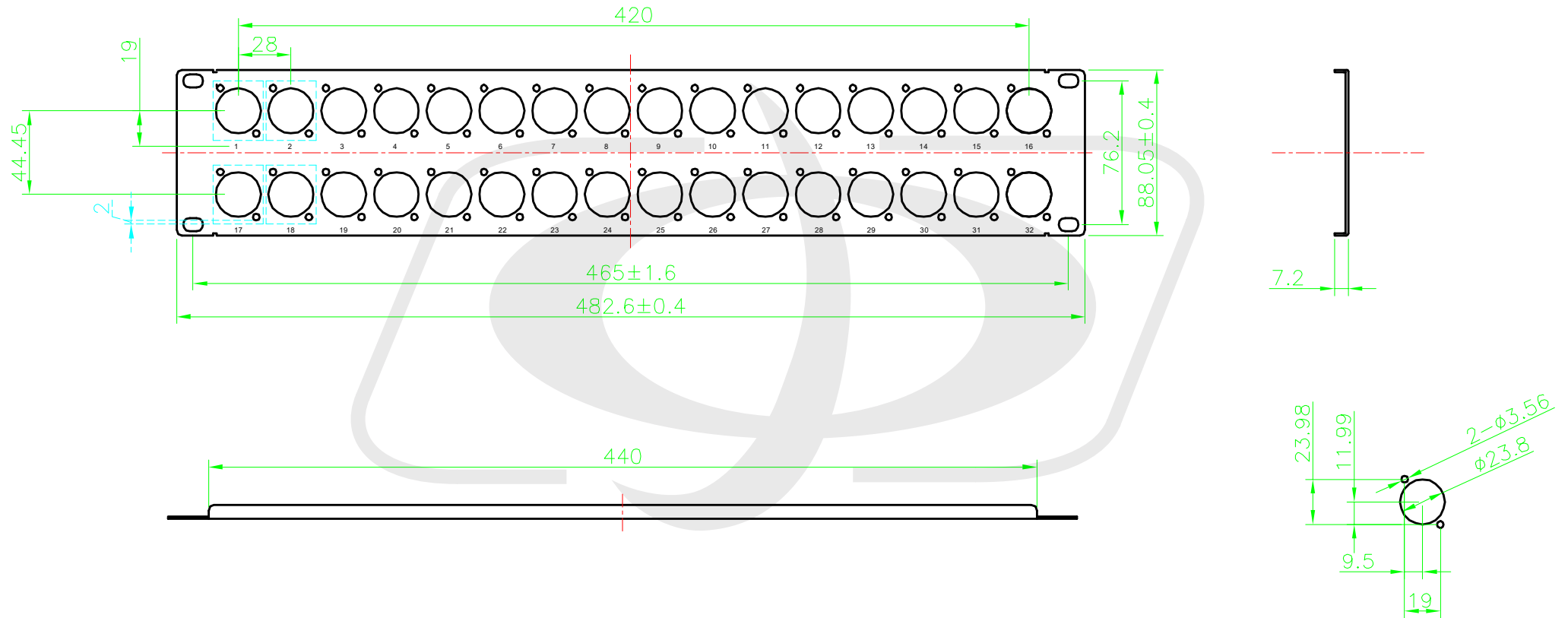
PP-XLR32-UL

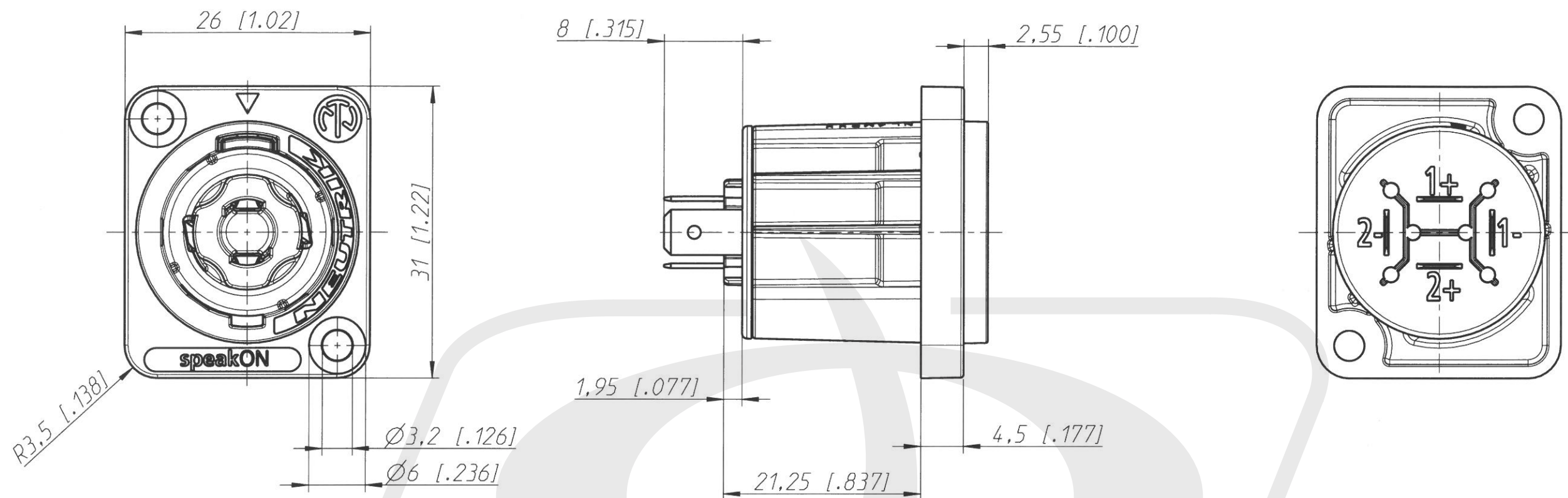
NT-NL4MPXX



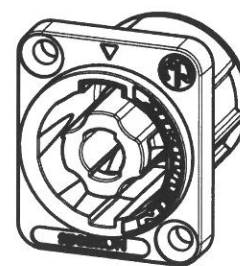
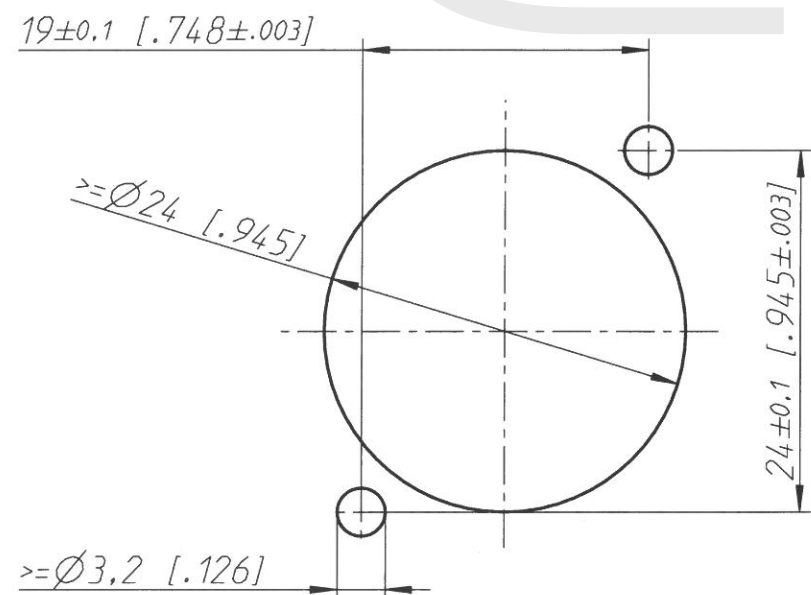
# 32-port D-cut Patch Panel, 19 inch Rackmount 2U - Unloaded

PP-XLR32-UL - Line Drawing





Frontplattenausschnitt Rückseite  
panel cutout rearside



1:1

General tolerances ISO 2768-m	Scale	Date	Name
Refer to protection notice ISO 16016.	2:1 (A3)	18.10.19	Hofmann
Name	Modified	Change-No.	Sheet-No.
NL4MPXX	-	-	1 / 1
Replacement for:		Drawing-No.	
NEUTRIK		20002406	