



# 16 Port SC/SC APC Singlemode 9u Simplex Patch Panel - 19" Rackmount 1U

PP-FO604A-16 - Specifications

## Description

This 16 port patch panel comes loaded with 16 simplex SC APC 9 micron singlemode female to female couplers. It provides a quick and easy solution for patching terminated fiber cables. It is 1U in height and meant to be mounted on a 19" rack or cabinet.

## Physical Characteristics

Color	Black
Material	Steel
Ports	16
Fiber Classification	9 micron Singlemode
Product Dimensions	19" W x 1.75" H [48 cm W x 4.45 cm H]
Rackmountable	Yes, 19" Rack or Cabinet

## Connectors

Front 16 - SC/SC APC Singlemode Simplex Female

## Environmental

RoHS Yes

## Packaging Information

Package Quantity	1
Product Weight	1.6 lbs [0.73 kg]



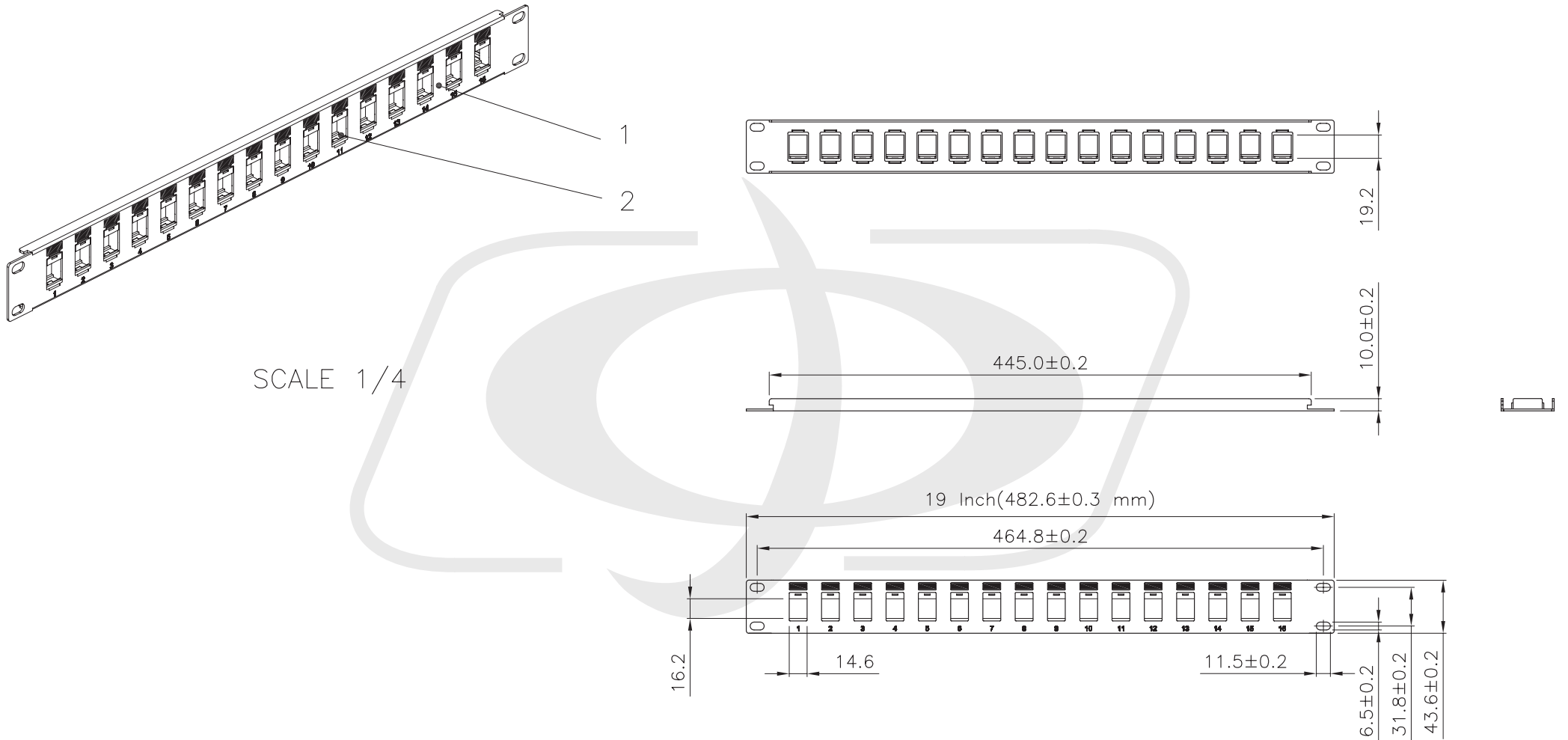
## **Built from components:**

PP-16KS-1U  
FO-AD604-PMRA  
WP-IN-LCSC-BK



# 16-port Keystone Patch Panel, 19 inch Rackmount 1U - Unloaded

PP-16KS-1U - Line Drawing



## Specification :

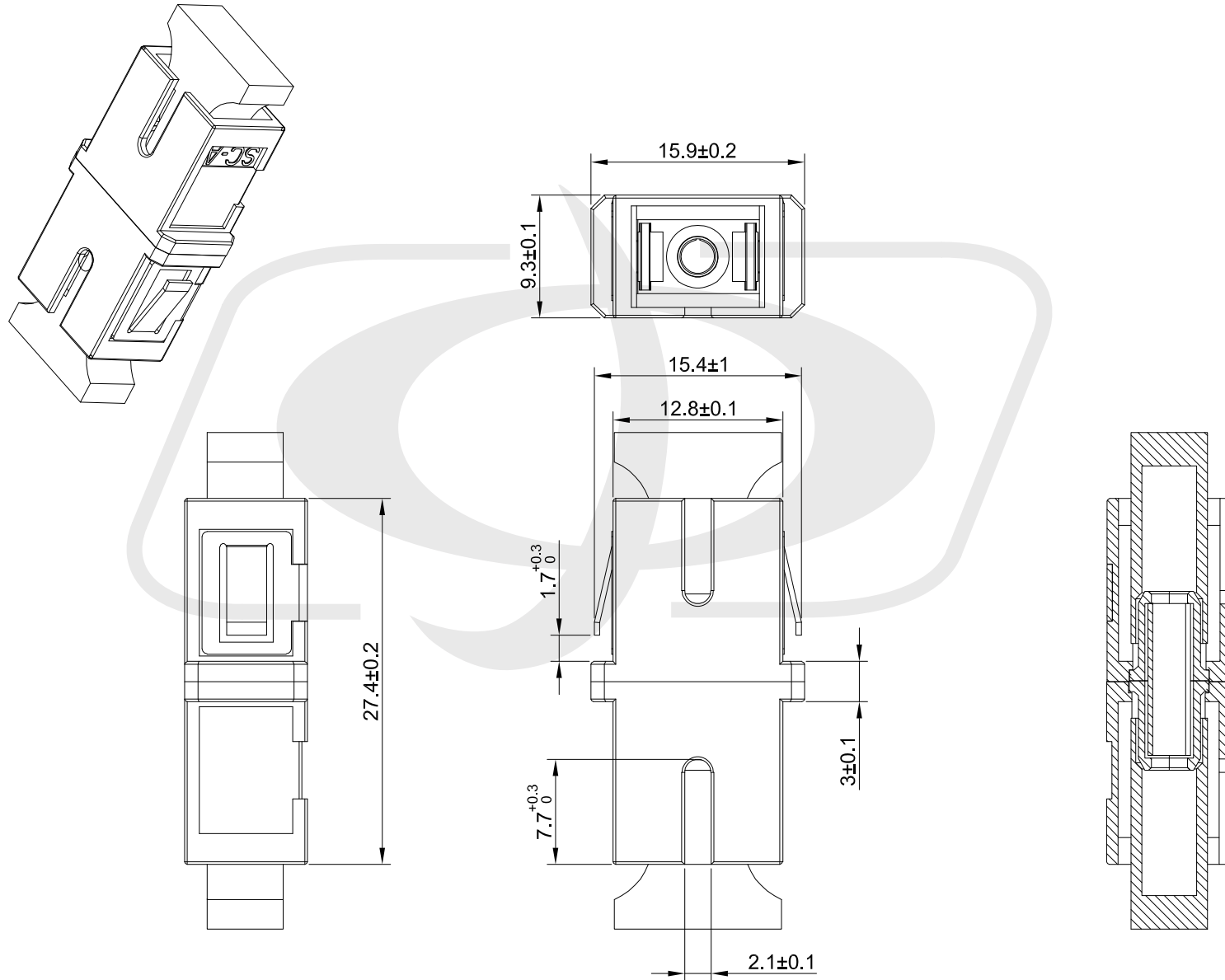
Material :

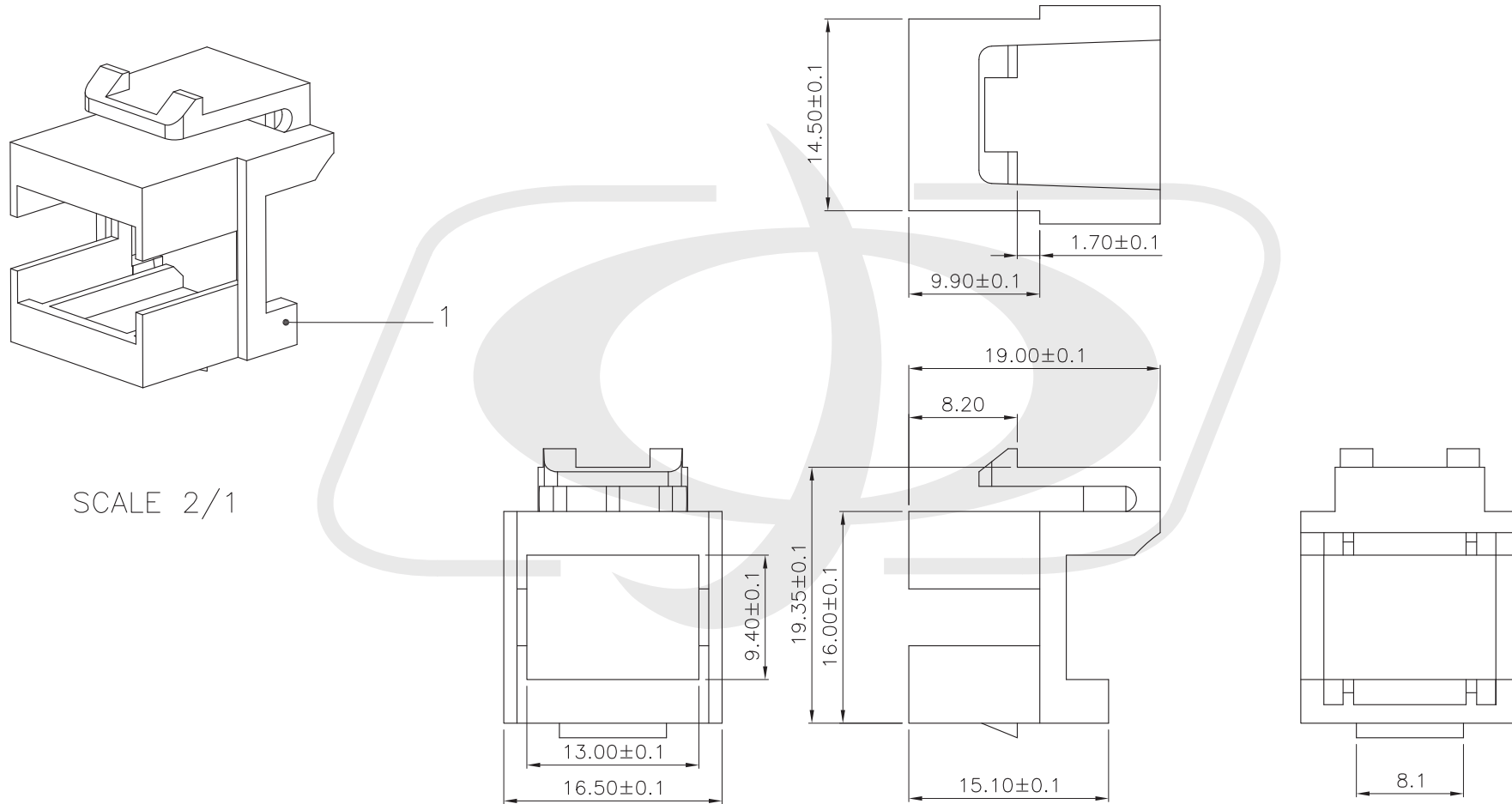
1. Panel : SPCC, 1.5 mm thickness with Black color painted.
2. Insert : ABS, UL 94V-0, Black color.



# SC/SC APC Fiber Coupler F/F Singlemode Simplex Ceramic Reduced Flange - Green

FO-AD604-PMRA - Line Drawing





SCALE 2/1

Specification :

- Material :
1. Plastic : ABS, UL94V-0.