



16 Port SC/SC Singlemode 9u Simplex Patch Panel - 19" Rackmount 1U

PP-FO604-16 - Specifications

Description

This 16 port patch panel comes loaded with 16 simplex SC 9 micron singlemode female to female couplers. It provides a quick and easy solution for patching terminated fiber cables. It is 1U in height and meant to be mounted on a 19" rack or cabinet.

Physical Characteristics

Color	Black
Material	Steel
Ports	16
Fiber Classification	9 micron Singlemode
Product Dimensions	19" W x 1.75" H [48 cm W x 4.45 cm H]
Rackmountable	Yes, 19" Rack or Cabinet



Connectors

Front	16 - SC/SC APC Singlemode Simplex Female
-------	--

Environmental

RoHS	Yes
------	-----

Packaging Information

Package Quantity	1
Product Weight	1.6 lbs [0.73 kg]

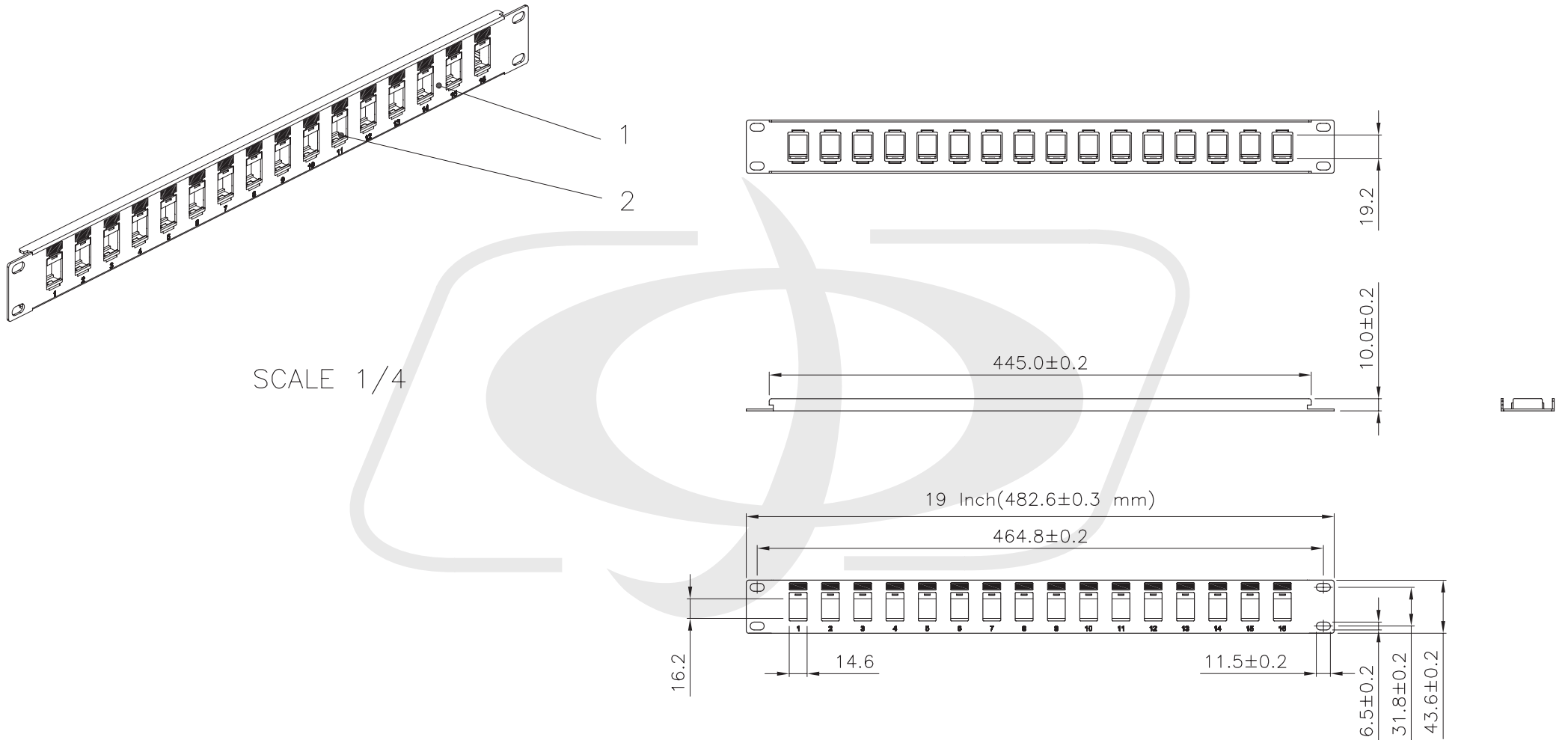
Built from components:

PP-16KS-1U
FO-AD604-PMR
WP-IN-LCSC-BK



16-port Keystone Patch Panel, 19 inch Rackmount 1U - Unloaded

PP-16KS-1U - Line Drawing



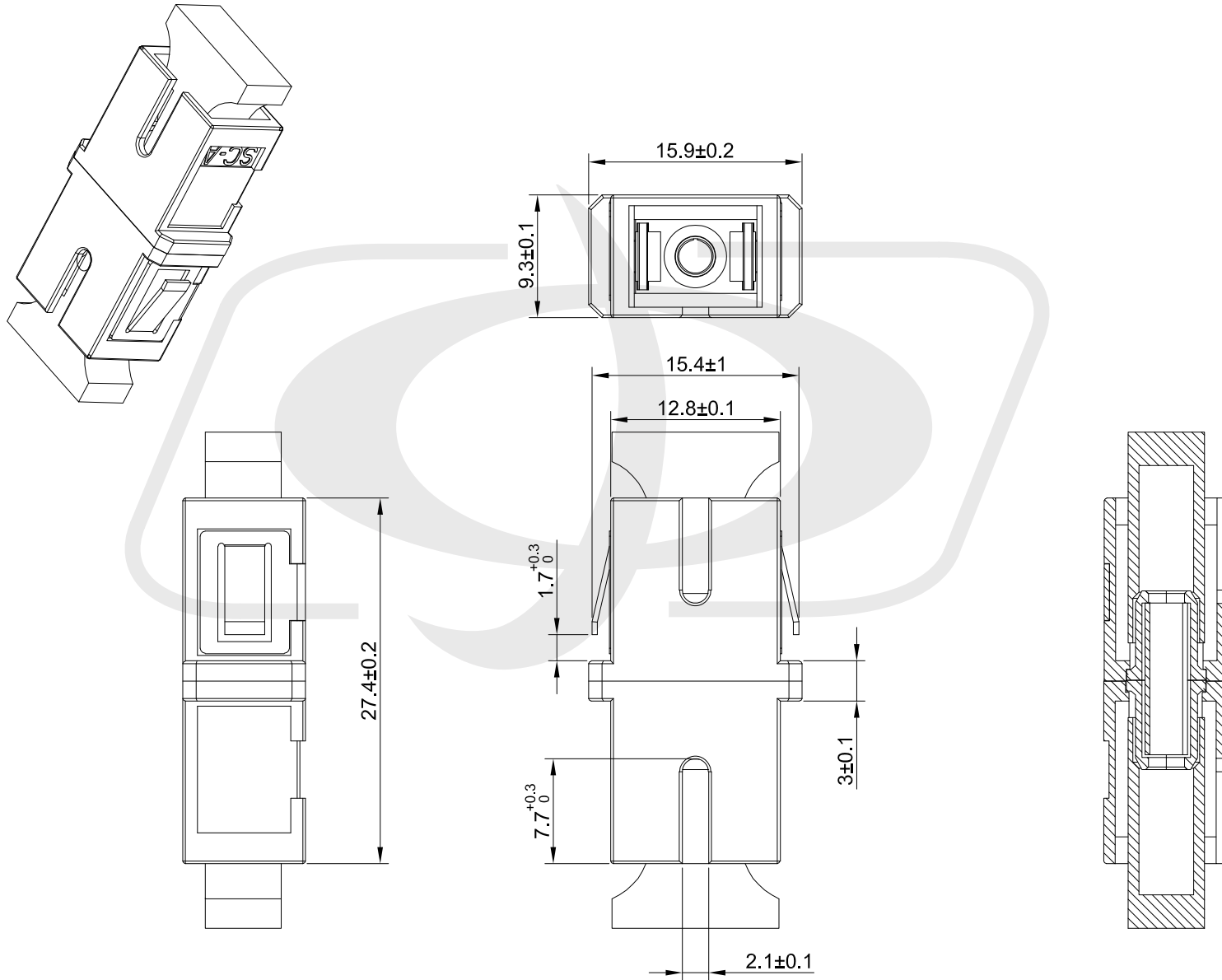
Specification :

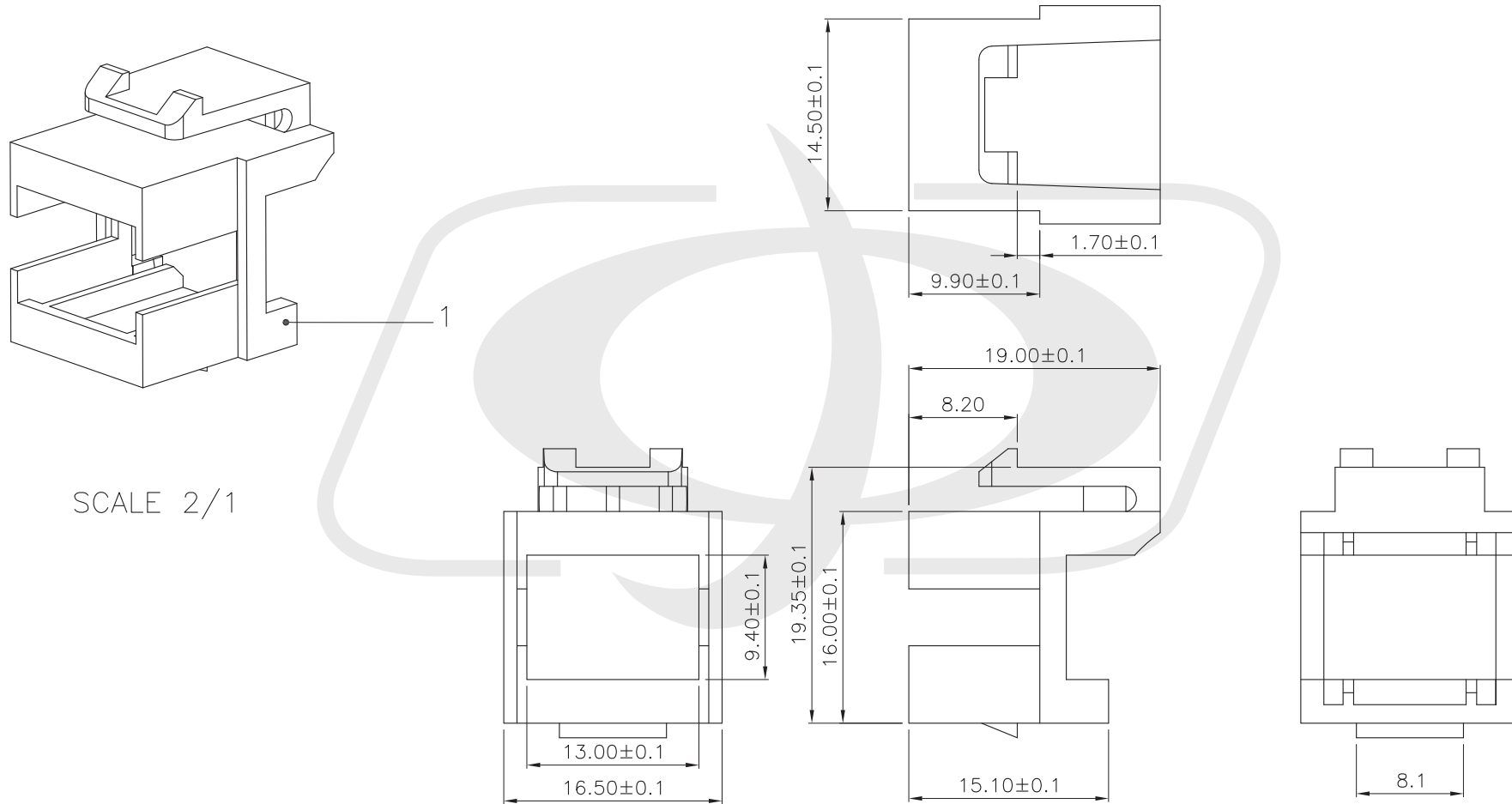
Material :

1. Panel : SPCC, 1.5 mm thickness with Black color painted.
2. Insert : ABS, UL 94V-0, Black color.



SC/SC Fiber Coupler F/F Singlemode Simplex Ceramic Reduced Flange - Blue
FO-AD604-PMR - Line Drawing





SCALE 2/1

Specification :

Material :
 1. Plastic : ABS, UL94V-0.