



Indoor 4-Port Metal Fiber Optic Wall Mount Terminal Box - Black

PP-F1512-BK - Specifications

Description

This fiber optic terminal box has a latching top for easy access and accepts up to four SC simplex or four LC duplex panel mount couplers. It is used to interconnect fiber splices and terminated fiber cables. The unit comes with four splice sleeves, one cable grommet, four pairs of screws to secure the couplers in place, cable ties, cable management and mounting hardware.

Physical Characteristics

Color	Black (Powder Coat)
Material	Steel
Product Dimensions	4.125"W x 5.5" L (overall) x 1.125" H

Compatible Adapters

FO-AD504-PM	SC/SC fiber coupler F/F multimode 62.5u simplex ceramic panel mount, beige
FO-AD604-PM	SC/SC fiber coupler F/F singlemode simplex ceramic panel mount, blue
FO-AD604-PMA	SC/SC APC fiber coupler F/F singlemode simplex ceramic panel mount, green
FO-AD804-PM	SC/SC fiber coupler F/F multimode 50u 10gig OM3/OM4 simplex ceramic panel mount, aqua
FO-AD108-PM	LC/LC fiber coupler F/F multimode OM1/OM2 duplex ceramic panel mount, beige
FO-AD208-PM	LC/LC fiber coupler F/F singlemode duplex ceramic panel mount, blue
FO-AD208-PMA	LC/LC APC fiber coupler F/F singlemode duplex ceramic panel mount, green
FO-AD408-PM	LC/LC fiber coupler F/F multimode 50u 10gig OM3/OM4 duplex ceramic panel mount, aqua

Environmental

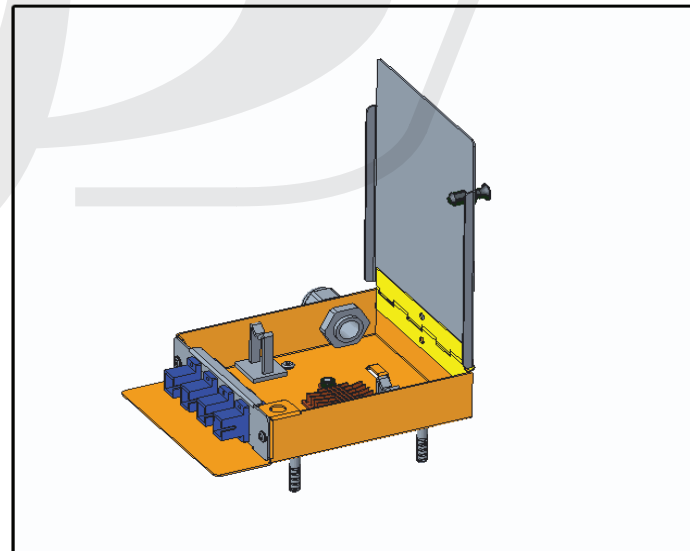
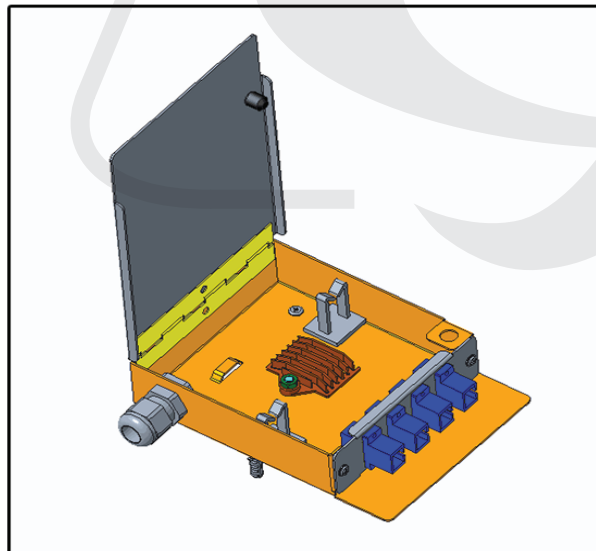
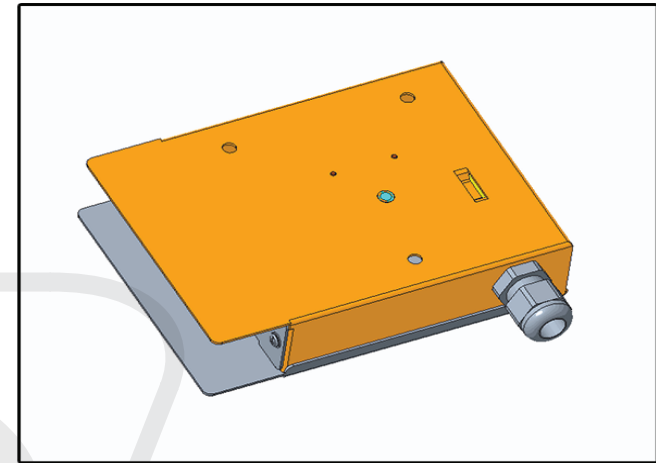
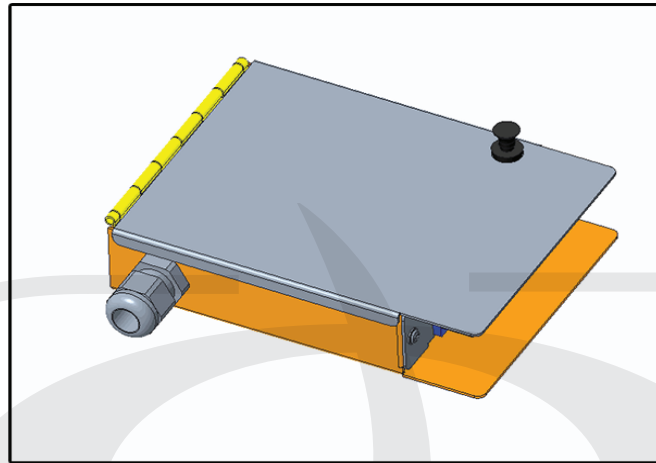
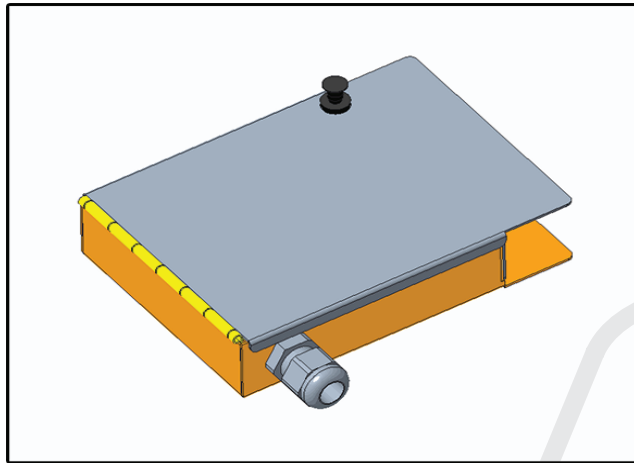
RoHS	Yes
------	-----

Packaging Information

Package Quantity	1
Product Weight	0.9 lbs [0.4kg]

Contents

Included in Package	1 - Fiber Terminal Box 1 - Cable Grommet 4 - Splice Sleeves 8 - Adapter Screws 2 - Cable Ties 2 - Cable Managers 3 - Mounting Hardware
---------------------	--





Indoor 4-Port Metal Fiber Optic Wall Mount Terminal Box - Black

PP-F1512-BK - Specifications

