



# 32-Port 50 Ohm BNC Patch Panel, 19 inch Rackmount 2U

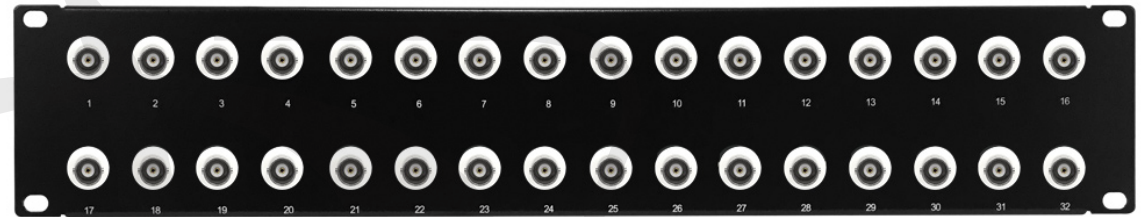
## PP-BNC50-32 - Specifications

### Description

This 32 port BNC patch panel has 50 ohm BNC female to female feed-through couplers on both ends. It is meant to be mounted on a 19" rack or cabinet and provides an easy method to couple BNC cables.

### Physical Characteristics

Color	Black Powder Coated
Material	Steel
Ports	32
Rack Space	2U
Product Dimensions	19" W 3.5" H [48 cm W, 8.9 cm H]
Rackmountable	Yes, 19" Rack or Cabinet



### Connectors

Front	32 - BNC 50 Ohm Female
Rear	32 - BNC 50 Ohm Female

### Environmental

RoHS	Yes
------	-----

### Packaging Information

Package Quantity	1 - Patch Panel
Product Weight	3.0 lbs [1.4 kg]

### **Built from components:**

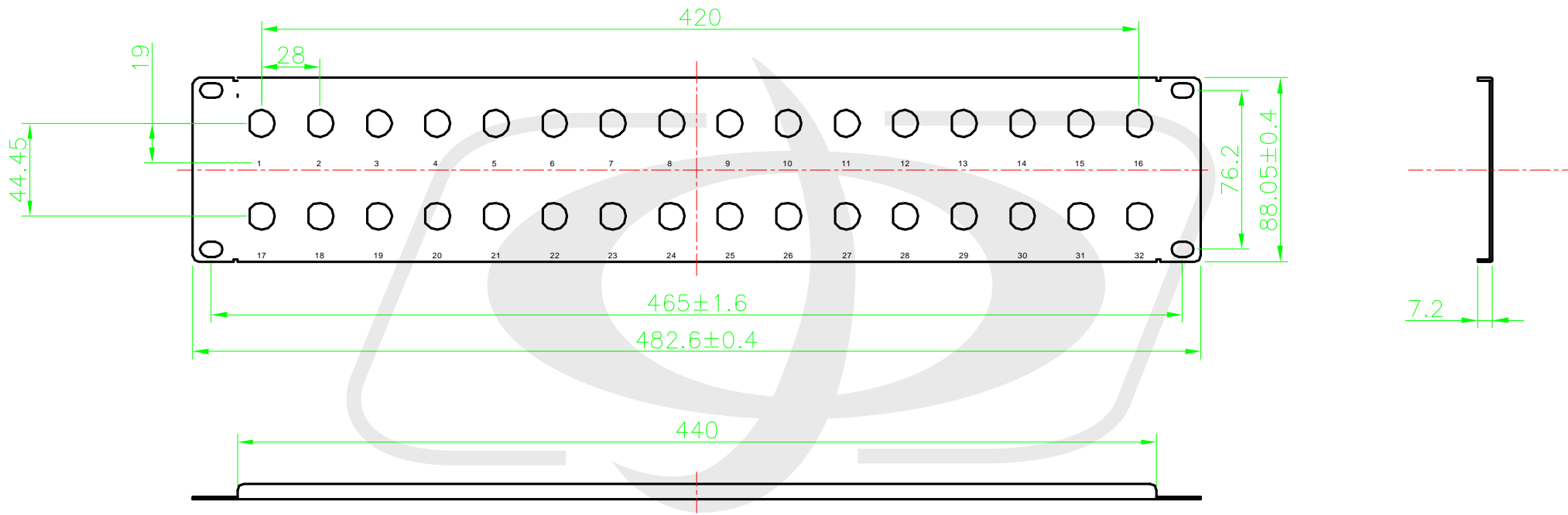
PP-BNC32-UL

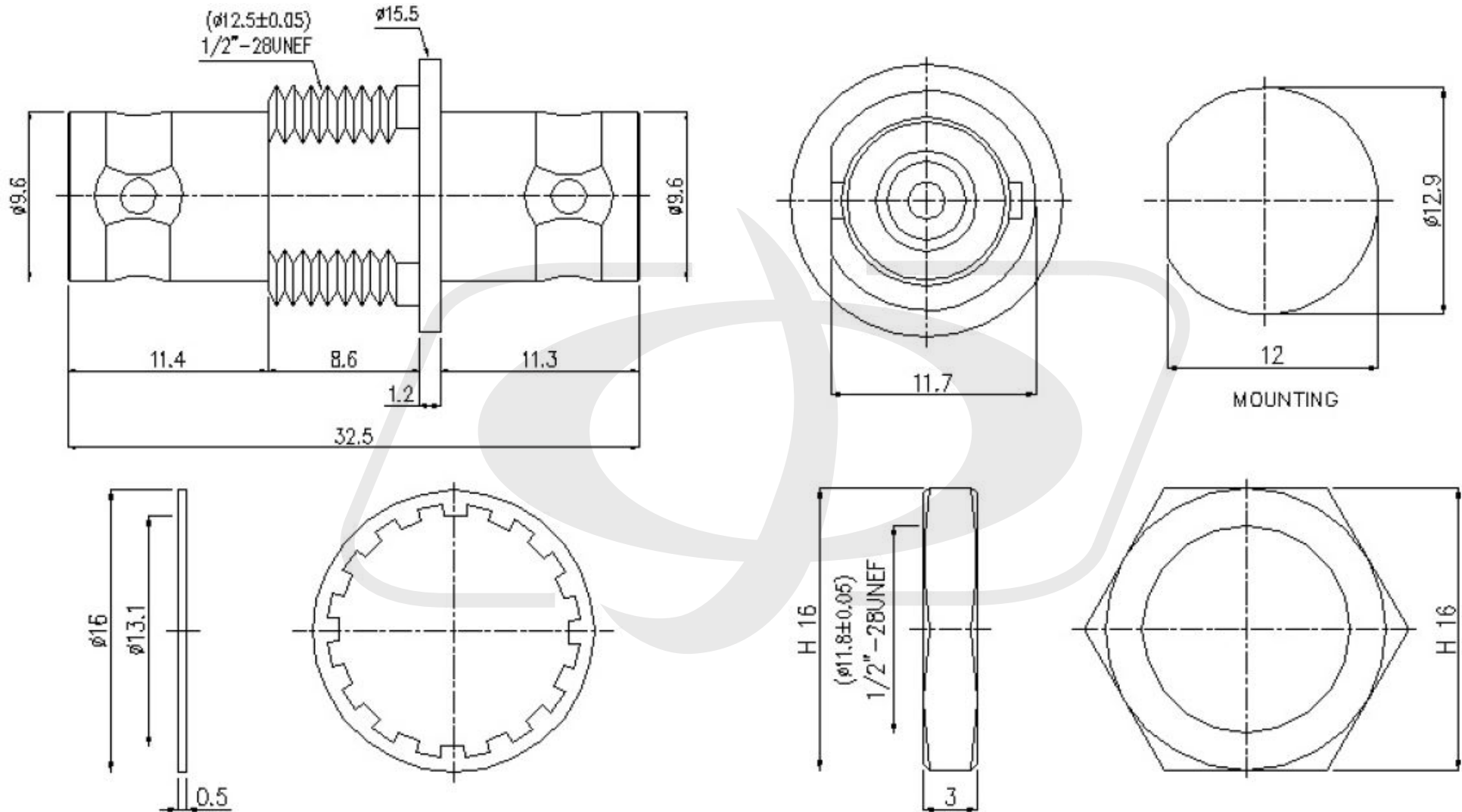
AD-3131-50



# 32-port BNC Patch Panel, 19 inch Rackmount 2U - Unloaded

PP-BNC32-UL - Line Drawing





### Tolerance

x.	$\pm 0.2$
xx.	$\pm 0.1$
xxx.	$\pm 0.05$
Angle	$\pm 0.5^\circ$