



32-Port 75 Ohm BNC 12GHz HD-SDI patch panel, 19 inch rackmount 2U

PP-BNC-32-12G - Specifications

Description

This 32 port BNC patch panel has 75 ohm 12GHz BNC female to female feed-through couplers on both ends. It is meant to be mounted on a 19" rack or cabinet and provides an easy method to couple BNC cables.

Physical Characteristics

Color	Black Powder Coated
Material	Steel
Ports	32
Rack Space	2U
Product Dimensions	19" W 3.5" H [48 cm W, 8.9 cm H]
Rackmountable	Yes, 19" Rack or Cabinet



Connectors

Front	32 - BNC 75 Ohm 12GHz Female
Rear	32 - BNC 75 Ohm 12GHz Female

Built from components:

PP-BNC32-UL
AD-3131-SDI-12G

Environmental

RoHS	Yes
------	-----

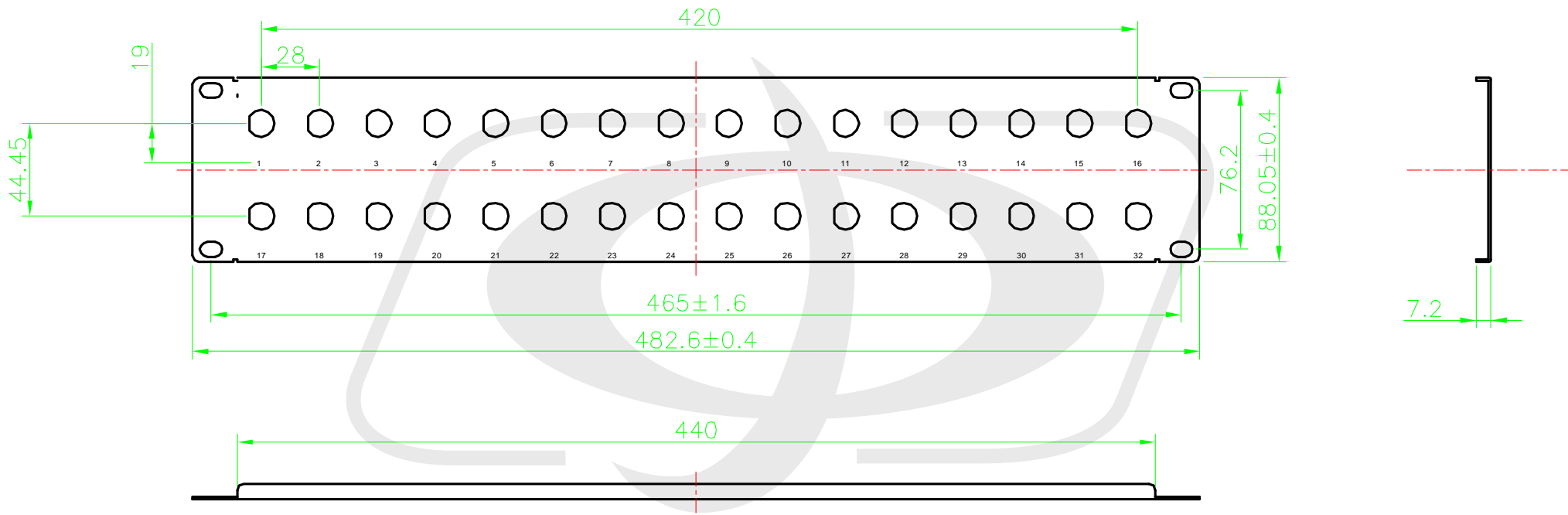
Packaging Information

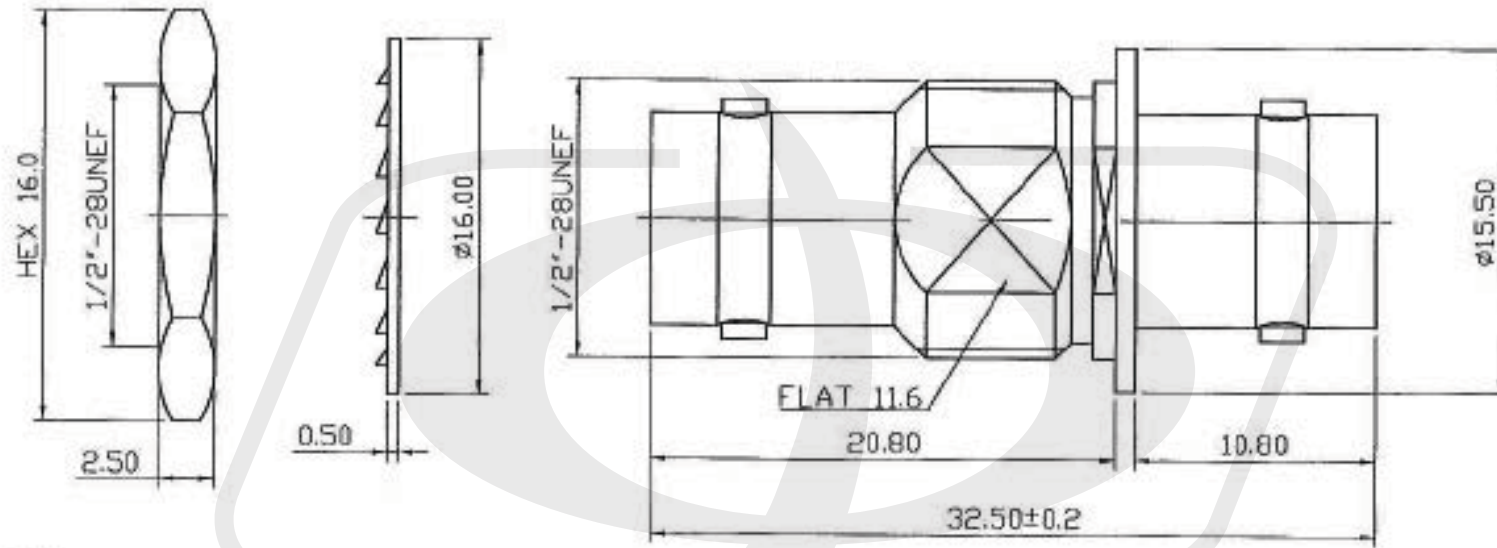
Package Quantity	1 - Patch Panel
Product Weight	3.0 lbs [1.4 kg]



32-port BNC Patch Panel, 19 inch Rackmount 2U - Unloaded

PP-BNC32-UL - Line Drawing





Tolerance

x.	±0.2
xx.	±0.1
xxx.	±0.05
Angle	±0.5°