



24-Port CAT6A Patch Panel, 19" Rackmount 1U - 110 Punch-Down

PP-48C6A-JK - Specifications

Description

This 48 port Cat6a 2U patch panel has RJ45 female ports on the front and 110 punch-down terminals on the rear. It is fitted with 110 jacks and is meant to be mounted on a 19" rack or cabinet. It provides an easy method to terminate raw Cat6a cable runs.

Physical Characteristics

Color	Black (Powder Coat)
Material	Steel
Connector Type	CAT6A
Color Code	568A or 568B
Ports	48
Rack Space	2U
Product Dimensions	19" W 3.5" H [48 cm W, 8.9 cm H]
Rackmountable	Yes

Connectors

Front	48 - RJ45 CAT6A Female
Rear	48 x 4 Pair - 110 Style Punch-Down Terminations

Environmental

RoHS	Yes
------	-----

Packaging Information

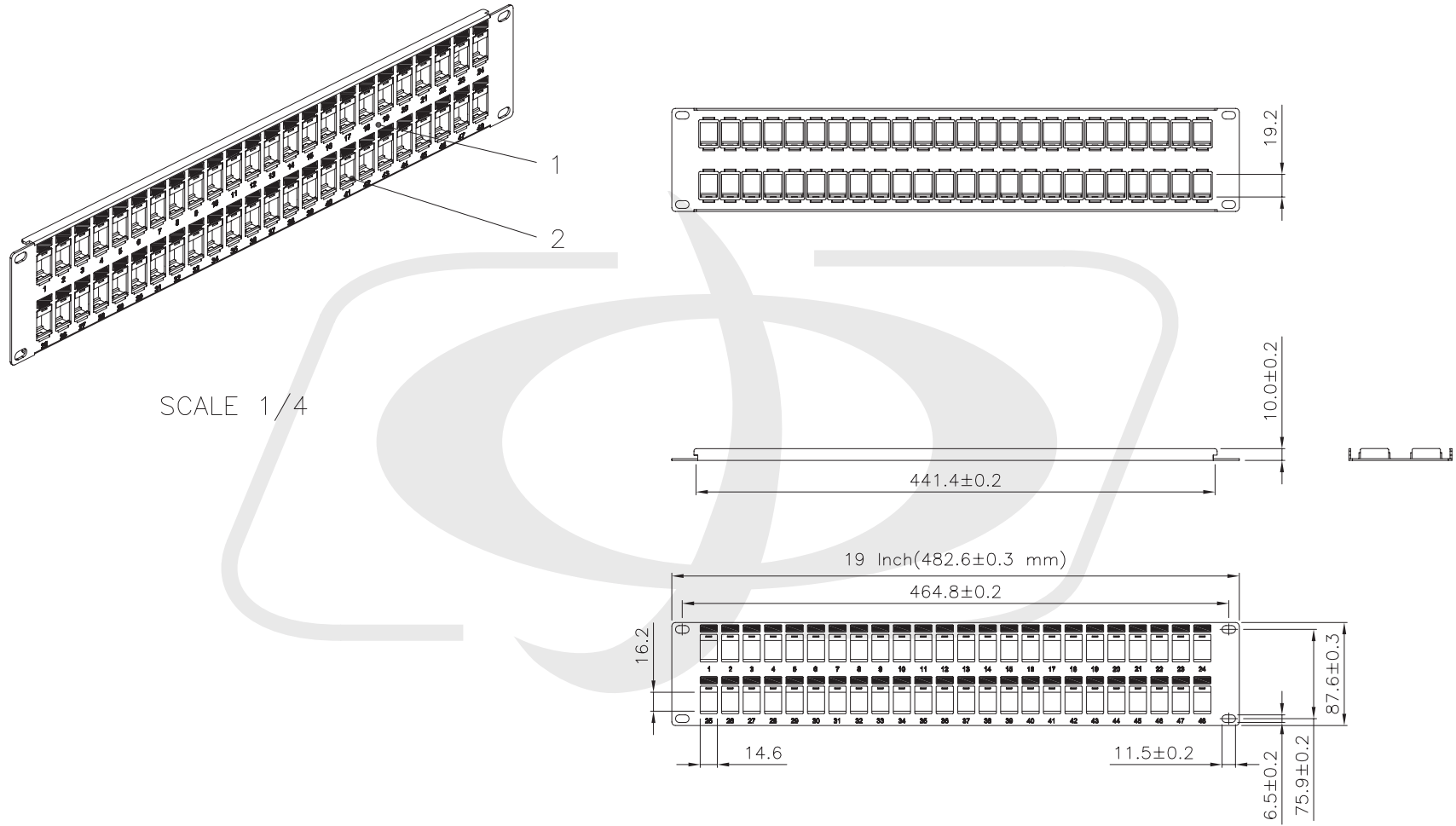
Package Quantity	1 - Patch Panel
Product Weight	1.6 lbs [0.73 kg]



Built from components:

PP-48KS-2U

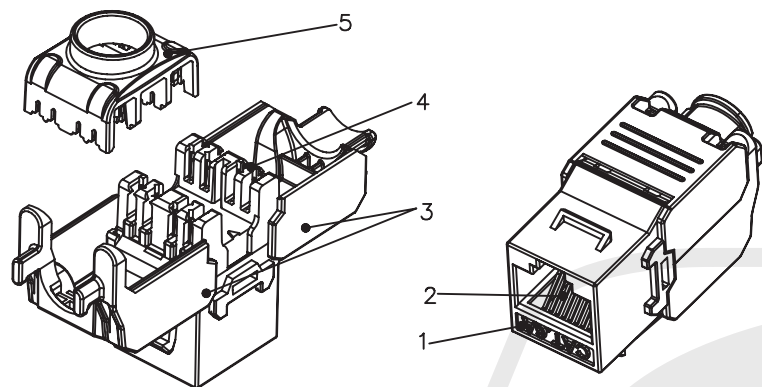
JK-C6A-BK



Specification :

Material :

1. Panel : SPCC, 1.5 mm thickness with Black color painted.
2. Insert : ABS, UL 94V-0.



SCALE 1/1

Specification :

Material :

1. RJ45 Jack :
 - 1-1. Housing : Nylon+Fiber, Black color.
 - 1-2. Contact Bracket : PC, UL 94-V2, Transparent color.
2. RJ45 Jack Contact :
 - 2-1. Material : Phosphor Bronze with Nickel plated.
 - 2-2. Finish : 50 micro-inch Gold plated on Plug contact area.
3. Cap A&B : Nylon+Fiber, Black color.
4. IDC :
 - 4-1. Housing : PC+Glass Fiber, Grey color(RAL7035), UL 94V-2.
 - 4-2. Terminal : Phosphor Bronze with Tin plated.
5. IDC Cap : PC+Glass Fiber, UL 94-V2, White color.
6. PCB : FR4, UL 94V-0.

