



24-Port CAT6A Shielded Patch Panel, 19" Rackmount 1U

PP-48C6A-110S - Specifications

Description

This 48 port Cat6a 1U shielded patch panel has shielded RJ45 female ports on the front and 110 punch-down style terminals on the rear. It has a built in cable manager and is meant to be mounted on a 19" rack or cabinet. It provides an easy method to terminate raw Cat6a shielded cable runs.

Physical Characteristics

Color	Black Powder Coated
Panel Material	Front: SECC Steel, 1.5mm thickness Middle: SECC Steel, 1.0mm thickness Top: SECC Steel, 1.0mm thickness
Jack Material	Housing and Contact Bracket: PBT+Glass Fiber
Jack Contact Material	Phosphor Bronze with Nickel Plating
Jack Contact Finish	Gold Plated
Jack Shield	Bronze with Nickel Plating
Connector Type	Cat6a
Color Code	568A or 568B
Operating Temperature	-10 deg C to 60 deg C
Ports	48
Rack Space	1U
Product Dimensions	19" W x 1.7" H [48 cm W x 4.3 cm H]
Insertion Force	30N max
Retention Strength	7.7 kg between jack and plug
Rackmountable	Yes, 19" Rack or Cabinet
Cable Management	Yes



Connectors

Front	48 - RJ45 Shielded CAT6a Female
Rear	12 x 8 Pair - 110 Style Shielded Punch-Down Terminations

Environmental

RoHS	Yes
------	-----

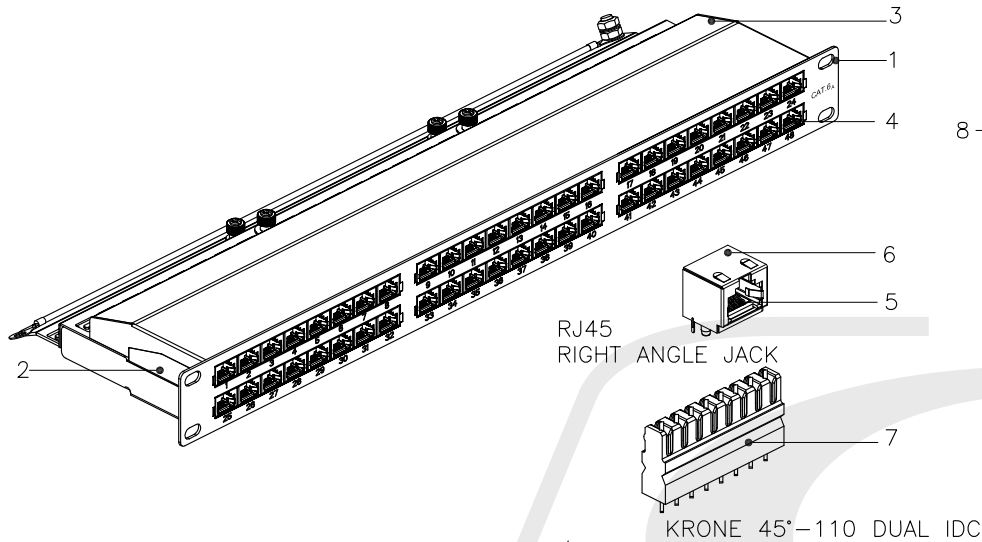
Packaging Information

Package Quantity	1 - Patch Panel 1 - Cable Jacket 50 - Cable Ties
Product Weight	5.1 lbs [2.3 kg]



24-Port CAT6A Shielded Patch Panel, 19" Rackmount 1U

PP-48C6A-110S - Line Drawing

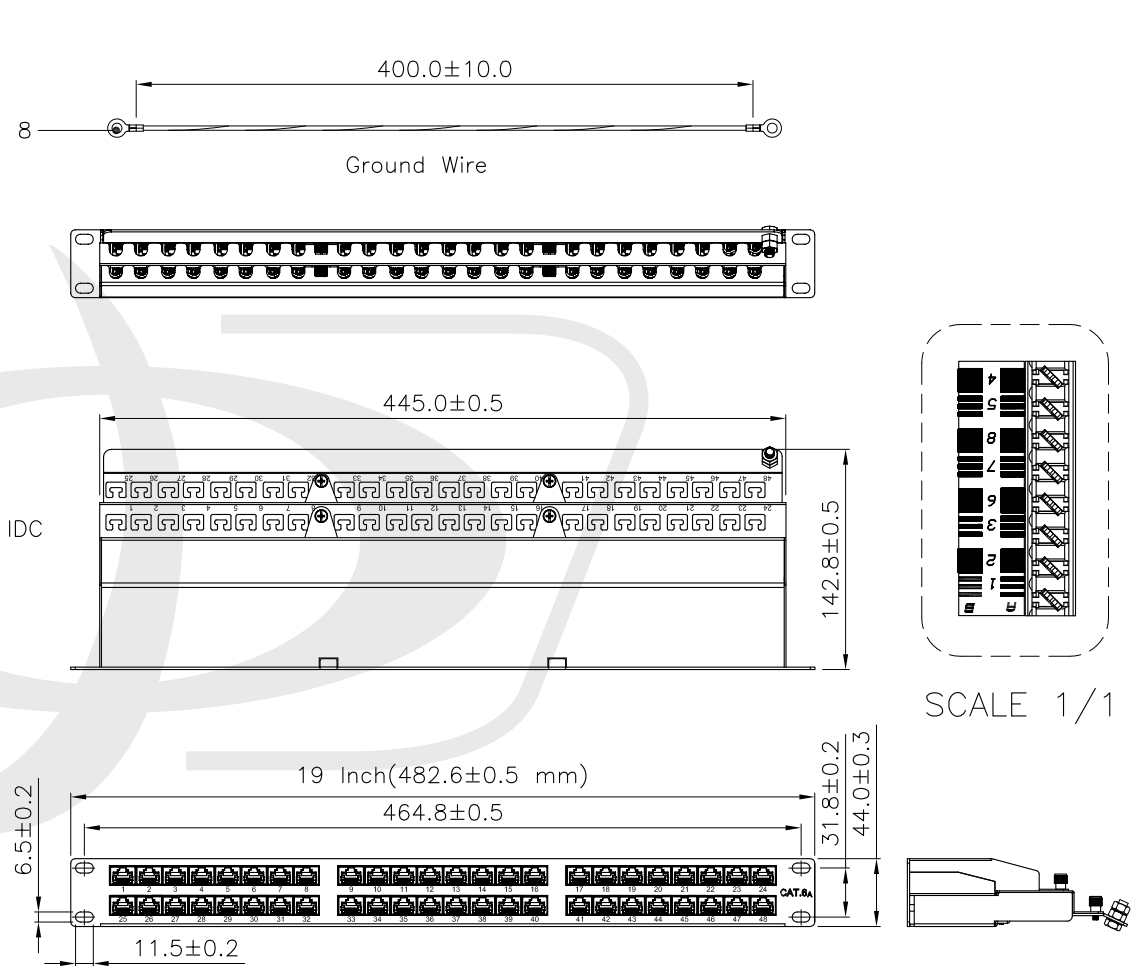


SCALE 1/4

Specification :

Material :

1. Front Panel : SECC, 1.5 mm thickness with optional color painted.
2. Middle panel : SECC, 1.0 mm thickness with optional color painted.
3. Top panel : SECC, 1.0 mm thickness with optional color painted.
4. RJ45 Jack :
 - 4-1. Housing : PBT+Glass Fiber, UL 94V-0.
 - 4-2. Contact Bracket : PBT+Glass Fiber, UL 94V-0.
5. RJ45 Jack Contact :
 - 5-1. Material : Phosphor Bronze with Nickel plated.
 - 5-2. Finish : 50 micro-inch Gold plated on Plug contact area.
6. RJ45 Jack Shield : Bronze With Nickel plated.
7. IDC :
 - 7-1. Housing : PC+Glass Fiber, UL 94V-2.
 - 7-2. Terminal : Phosphor Bronze with Tin plated.
8. Ground Wire : 18 AWG Wire, with Green/Yellow striped color.
9. PCB : FR4, UL 94V-0.



SCALE 1/1

