



48-Port Angled CAT6 Patch Panel, 19" Rackmount 1U - Pass-Through

PP-48C6-APT - Specifications

Description

This 48 port Cat6 1U patch panel has RJ45 female to female feed-through keystone couplers on both ends. It is meant to be mounted on a 19" rack or cabinet and provides an easy method to couple Cat6 patch cables.

Physical Characteristics

Color	Black (Powder Coat)
Material	Steel
Connector Type	CAT6
Ports	48
Rack Space	1U
Product Dimensions	19" W 3.5" H [48 cm W, 8.9 cm H]
Rackmountable	Yes, 19" Rack or Cabinet

Connectors

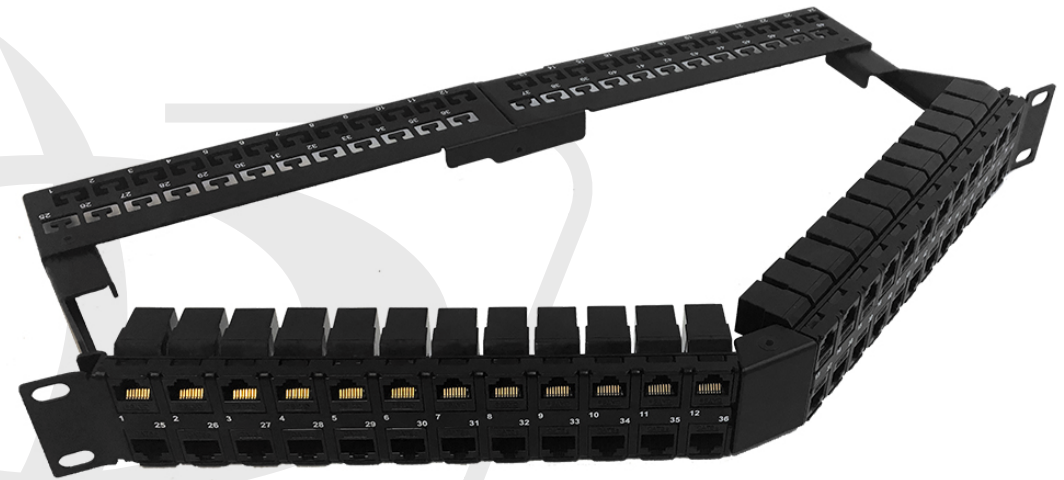
Front	48 - RJ45 CAT6 Female
Rear	48 - RJ45 CAT6 Female

Environmental

RoHS	Yes
------	-----

Packaging Information

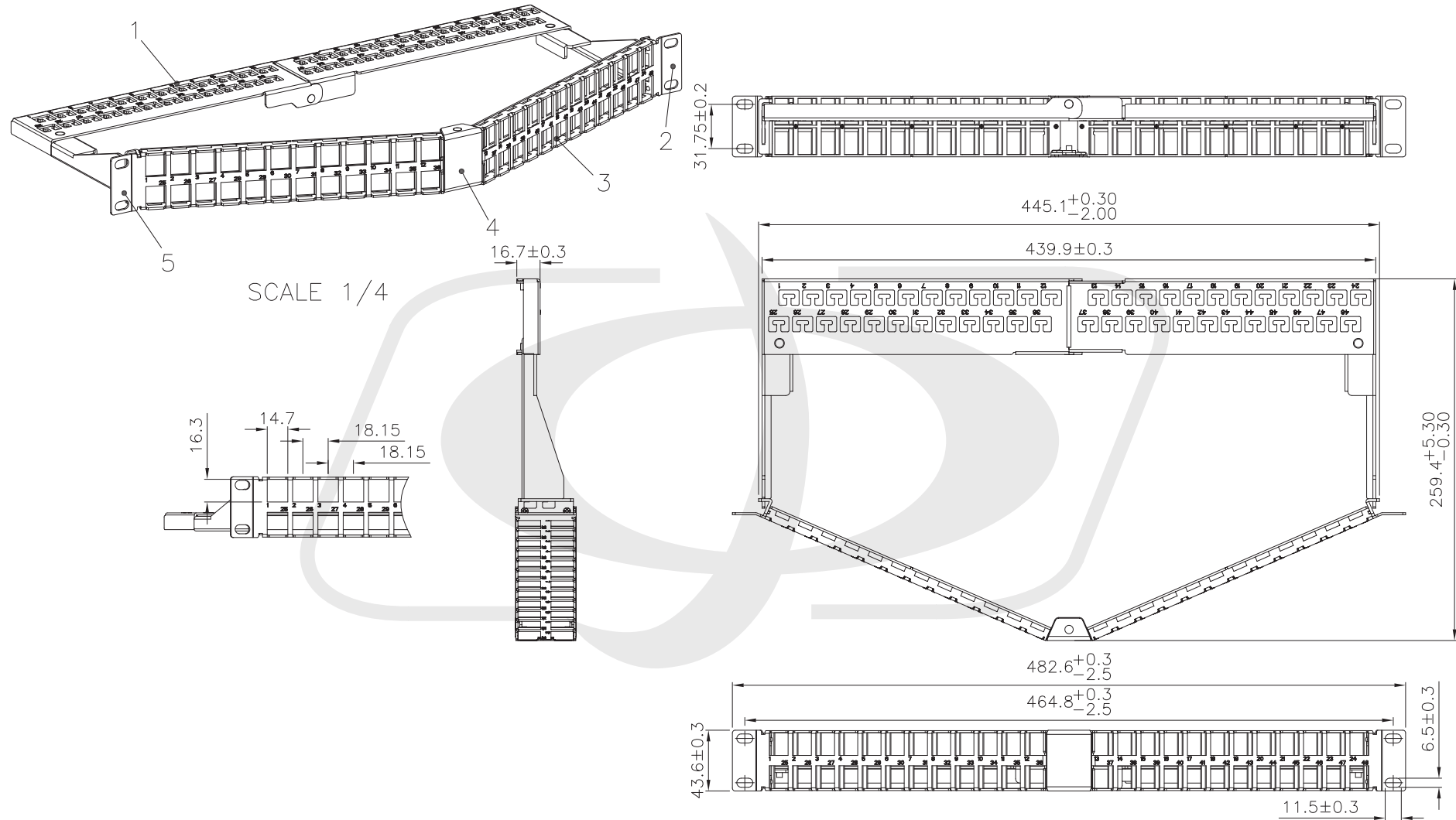
Package Quantity	1 - Patch Panel
Product Weight	1.9 lbs [0.86 kg]



Built from components:

PP-48KAU-1U

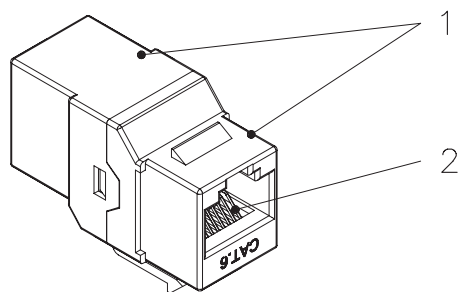
JK-8C6FF-BK



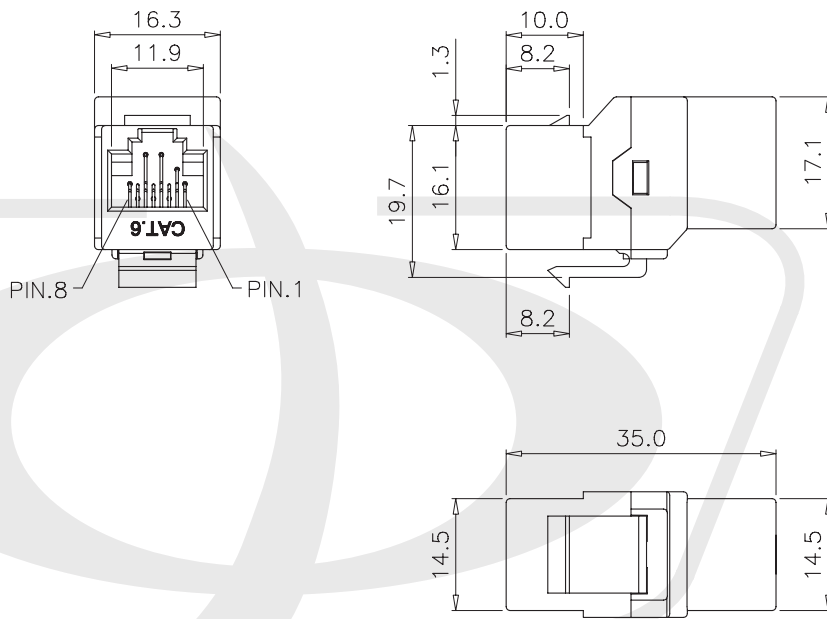
Specification :

Material :

1. Support Bar : SPCC, 1.5mm thickness with Black(RAL 9005) color painted.
2. Right Front Panel : SPCC, 1.5mm thickness with Black(RAL 9005) color painted.
3. Rear Panel: SPCC, 1.5mm thickness with Black(RAL 9005) color painted.
4. Middle-sheet : SPCC, 1.5mm thickness with Black(RAL 9005) color painted.
5. Left Front Panel : SPCC, 1.5mm thickness with Black(RAL 9005) color painted



SCALE 1/1



Specification :

Material :

1. Plastic Housing : ABS + PC, UL 94V-0.
2. RJ45 Jack Contact material & finished :
 - 2-1. Phosphor Bronze, Round pin.
 - 2-2. Min. 50 micro-inch Gold plating over 50-60 micro-inch Nickel plated.