



48-Port CAT6 Patch Panel, 19" Rackmount 2U - 110 Punch-Down

PP-48C6-110 - Specifications

Description

This 48 port Cat6 2U patch panel has RJ45 female ports on the front and 110 punch-down style terminals on the rear. It is meant to be mounted on a 19" rack or cabinet and provides an easy method to terminate raw Cat5e and Cat6 runs.

Physical Characteristics

Color	Black Powder Coated
Material	Steel
Connector Type	Cat5e or Cat6
Color Code	568A or 568B
Ports	48
Rack Space	2U
Product Dimensions	19" W 3.5" H [48 cm W, 8.9 cm H]
Rackmountable	Yes, 19" Rack or Cabinet

Connectors

Front	48 - RJ45 CAT6 Female
Rear	48 x 4 Pair - 110 Style Punch-Down Terminations

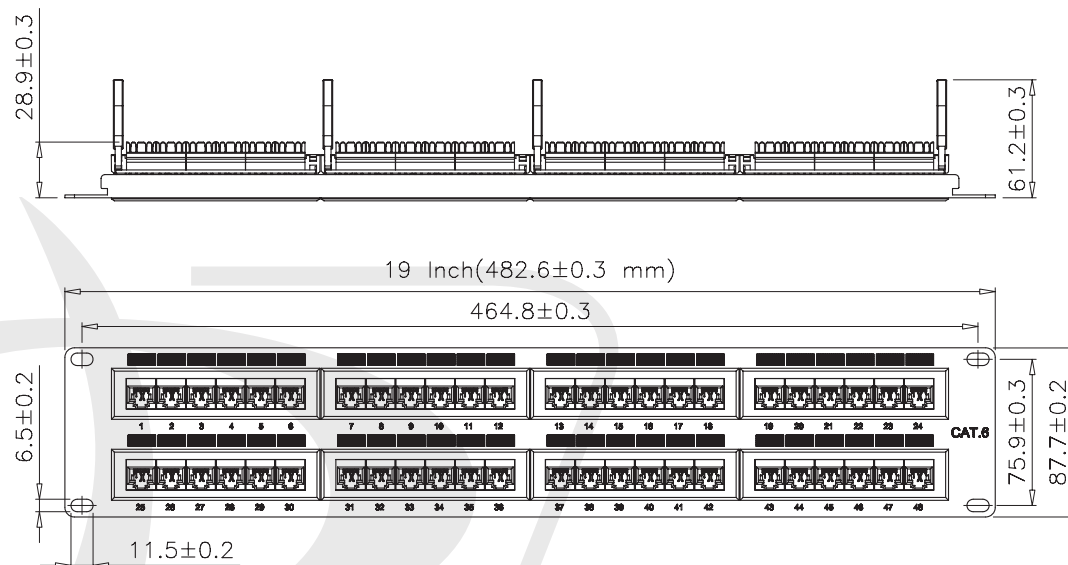
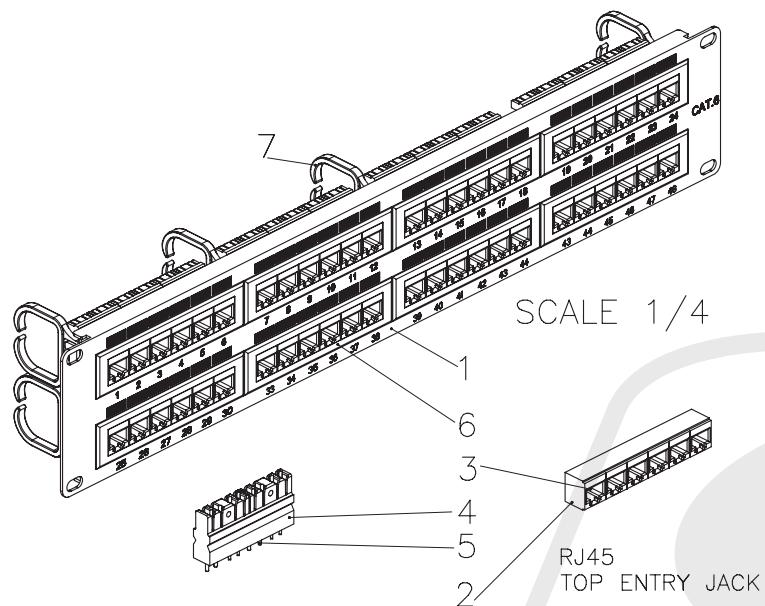
Environmental

RoHS	Yes
------	-----

Packaging Information

Package Quantity	1 - Patch Panel
Product Weight	2.35 lbs [1.07 kg]





Specification :

Material :

1. Panel : SPCC, 1.5 mm thickness with Black(RAL9005) color painted.
2. RJ45 Jack Housing : ABS, UL 94V-0.
3. RJ45 Jack Contact material & finished :
 - 3-1. Phosphor Bronze with 50-60 micro-inch Nickel plated.
 - 3-2. Contact area : Min. 3 mm 50 micro-inch Gold plated.
4. IDC Housing : PC+5%GF, UL 94V-2.
5. IDC Terminal material & finished :
 - 5-1. Phosphor Bronze with 50-60 micro-inch Tin plated.
 - 5-2. 110 & Krone tool compatible.
 - 5-3. Suitable for 22-26 AWG stranded & solid wire.
6. Jack Bracket Set : ABS, UL 94V-0.
7. Bable Holder : PA6.

