



Description

This 24 port patch panel comes unloaded and is 1U in height. It can be fitted with standard networking and audio/video keystone inserts and is meant to be mounted on a 19 inch rack or cabinet. It gives you the flexibility to customize the panel to your specific installation requirements. It also comes built in with cable management.

Physical Characteristics

Color	Black
Material	Steel
Connector Type	Standard Keystone
Ports	24
Shielded	Yes
Product Dimensions	19 inch W x 1.75 inch H [48 cm W x 4.45 cm H]
Rackmountable	Yes, 19 inch rack or cabinet

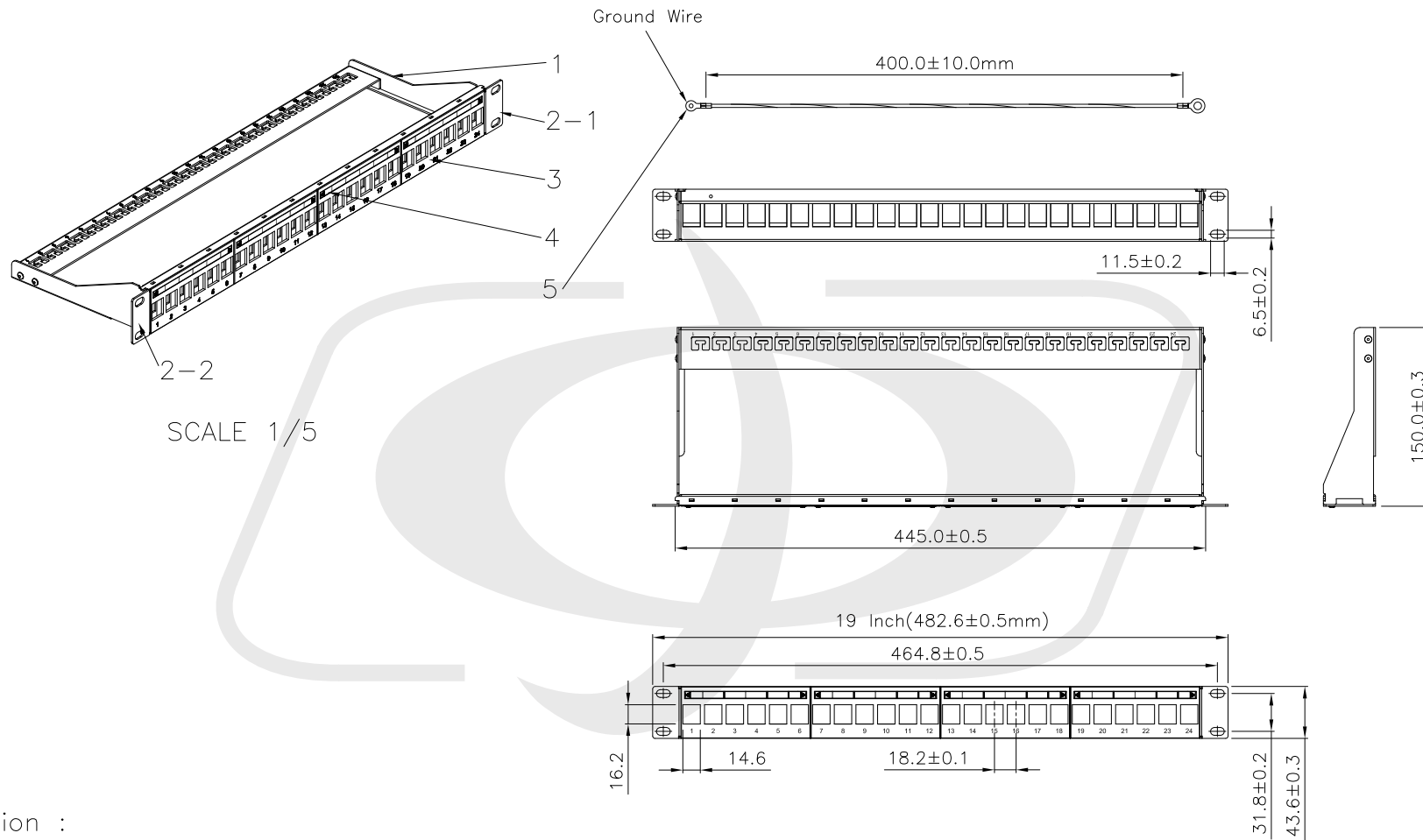


Environmental

RoHS	Yes
------	-----

Packaging Information

Package Quantity	1 - Patch Panel 1 - Grounding Cable 26 - Cable Ties
Product Weight	1.25 lbs [0.57 kg]



Specification :

Material :

1. Support Bar : SPCC, 1.5mm thickness with Black(RAL 9005) color painted.
2. Rear Panel :
 - 2-1 Rear Panel : SPCC, 1.5mm thickness with Zinc-plated.
 - 2-2 Front Plate Edge : Black (RAL 9005) color painted after zinc-plated for both side.
3. Front Plate : ABS, UL 94-HB.
4. Identification :
 - 4-1. Paper.
 - 4-2. I.D. Plate : PC, UL 94V-2.
5. Ground Wire : 18 AWG Wire, with Green/Yellow striped color, length 40 cm.