



# 24-Port CAT6 Patch Panel, 19" Rackmount 1U - Pass-Through

PP-24C6-PT - Specifications

## Description

This 24 port Cat6 1U patch panel has RJ45 female to female feed-through keystone couplers on both ends. It is meant to be mounted on a 19" rack or cabinet and provides an easy method to couple Cat6 patch cables.

## Physical Characteristics

Color	Black (Powder Coat)
Material	Steel
Connector Type	CAT6
Ports	24
Rack Space	1U
Product Dimensions	19" W x 1.75" H [48 cm W x 4.45 cm H]
Rackmountable	Yes, 19" Rack or Cabinet



## Connectors

Front	24 - RJ45 CAT6 Female
Rear	24 - RJ45 CAT6 Female

### **Built from components:**

PP-24KS-1U  
JK-8C6FF-BK

## Environmental

RoHS	Yes
------	-----

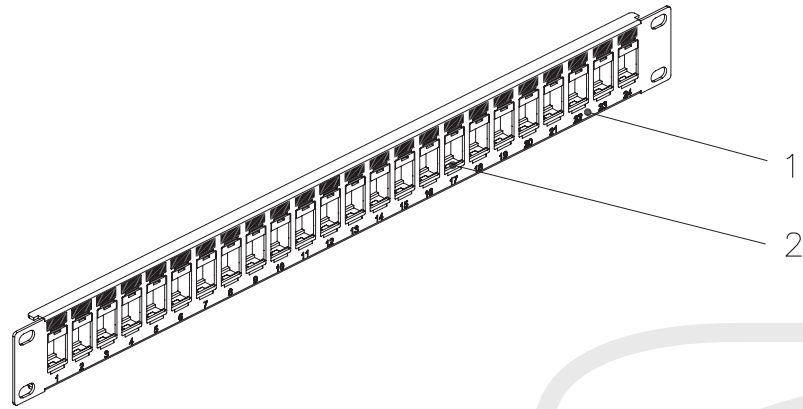
## Packaging Information

Package Quantity	1 - Patch Panel
Product Weight	1.05 lbs [0.48 kg]

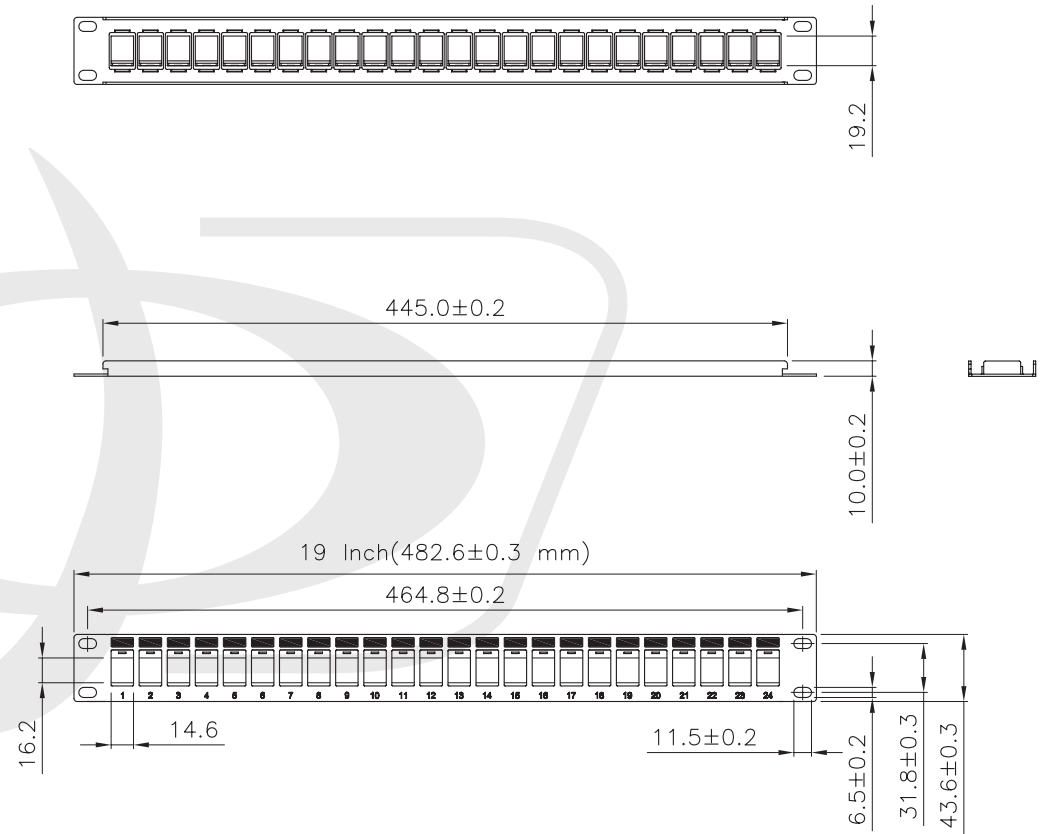


# 24-port Keystone Patch Panel, 19 inch Rackmount 1U - Unloaded

PP-24KS-1U - Line Drawing



SCALE 1/4



## Specification :

Material :

1. Panel : SPCC, 1.5 mm thickness with Black color painted.
2. Insert : ABS, UL 94V-0.