



24-Port CAT6 Shielded Patch Panel, 19" Rackmount 1U - 110 Punch-Down

PP-24C6-110S - Specifications

Description

This 24 port Cat6 1U shielded patch panel has shielded RJ45 female ports on the front and 110 punch-down style terminals on the rear. It has a built in cable manager and is meant to be mounted on a 19" rack or cabinet. It provides an easy method to terminate raw Cat5e and Cat6 shielded cable runs.

Physical Characteristics

Color	Black Powder Coated
Material	Steel
Connector Type	Cat5e or Cat6
Color Code	568A or 568B
Ports	24
Rack Space	1U
Product Dimensions	19" W x 3.5" H [48 cm W x 8.9 cm H]
Rackmountable	Yes, 19" Rack or Cabinet
Cable Management	Yes



Connectors

Front	24 - RJ45 Shielded CAT6 Female
Rear	12 x 4 Pair - 110 Style Shielded Punch-Down Terminations

Environmental

RoHS	Yes
------	-----

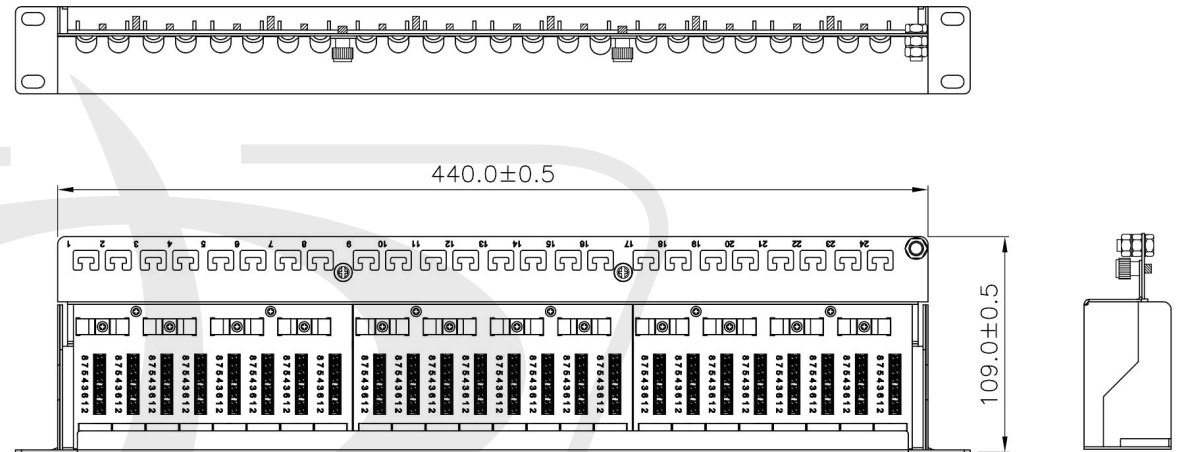
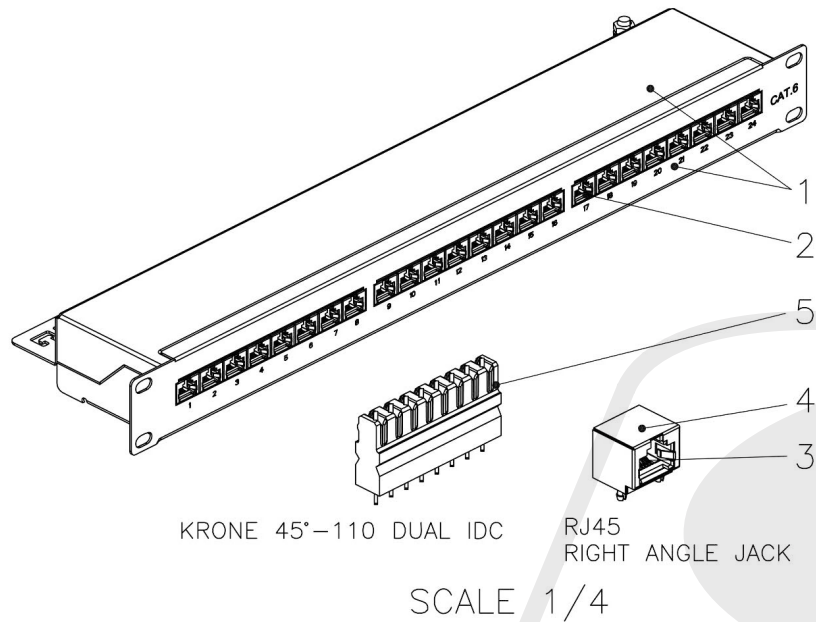
Packaging Information

Package Quantity	1 - Patch Panel
Product Weight	3.7 lbs [1.6 kg]



24-Port CAT6 Shielded Patch Panel, 19" Rackmount 1U - 110 Punch-Down

PP-24C6-110S - Line Drawing



Specification :

Material :

1. Panel : SECC, 1.2 mm thickness with optional color painted.
2. RJ45 Jack :
 - 2-1. Housing : PBT+Glass Fiber, UL 94V-0.
 - 2-2. Contact Bracket : PBT+Glass Fiber, UL 94V-0.
3. RJ45 Jack Contact :
 - 3-1. Material : Phosphor Bronze with Nickel plated.
 - 3-2. Finish : 50 micro-inch Gold plated on Plug contact area.
4. RJ45 Jack Shield : Bronze With Nickel plated.
5. IDC :
 - 5-1. Housing : PC+Glass Fiber, UL 94V-2.
 - 5-2. Terminal : Phosphor Bronze with Tin plated.
6. PCB : FR4, UL 94V-0.

