



24-Port CAT5e Patch Panel, 19" Rackmount 1U - Pass-Through

PP-24C5-PT - Specifications

Description

This 24 port Cat5e 1U patch panel has RJ45 female to female feed-through keystone couplers on both ends. It is meant to be mounted on a 19" rack or cabinet and provides an easy method to couple Cat5e patch cables.

Physical Characteristics

Color	Black (Powder Coat)
Material	Steel
Connector Type	CAT5e
Ports	24
Rack Space	1U
Product Dimensions	19" W x 1.75" H [48 cm W x 4.45 cm H]
Rackmountable	Yes, 19" Rack or Cabinet



Connectors

Front	24 - RJ45 CAT5e Female
Rear	24 - RJ45 CAT5e Female

Built from components:

PP-24KS-1U
JK-8C5FF-BK

Environmental

RoHS	Yes
------	-----

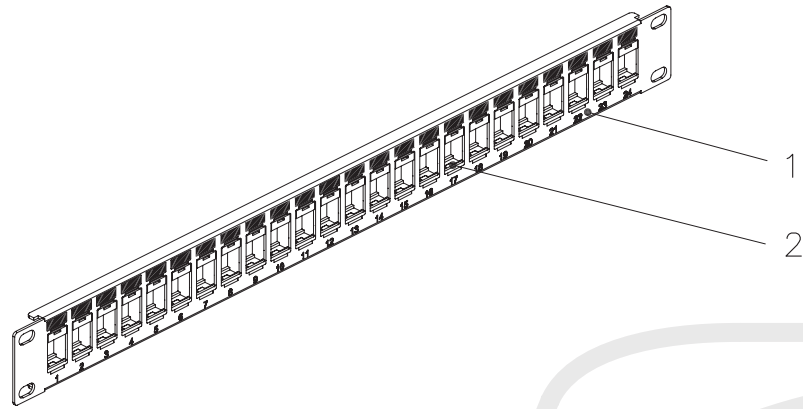
Packaging Information

Package Quantity	1 - Patch Panel
Product Weight	1.05 lbs [0.46 kg]

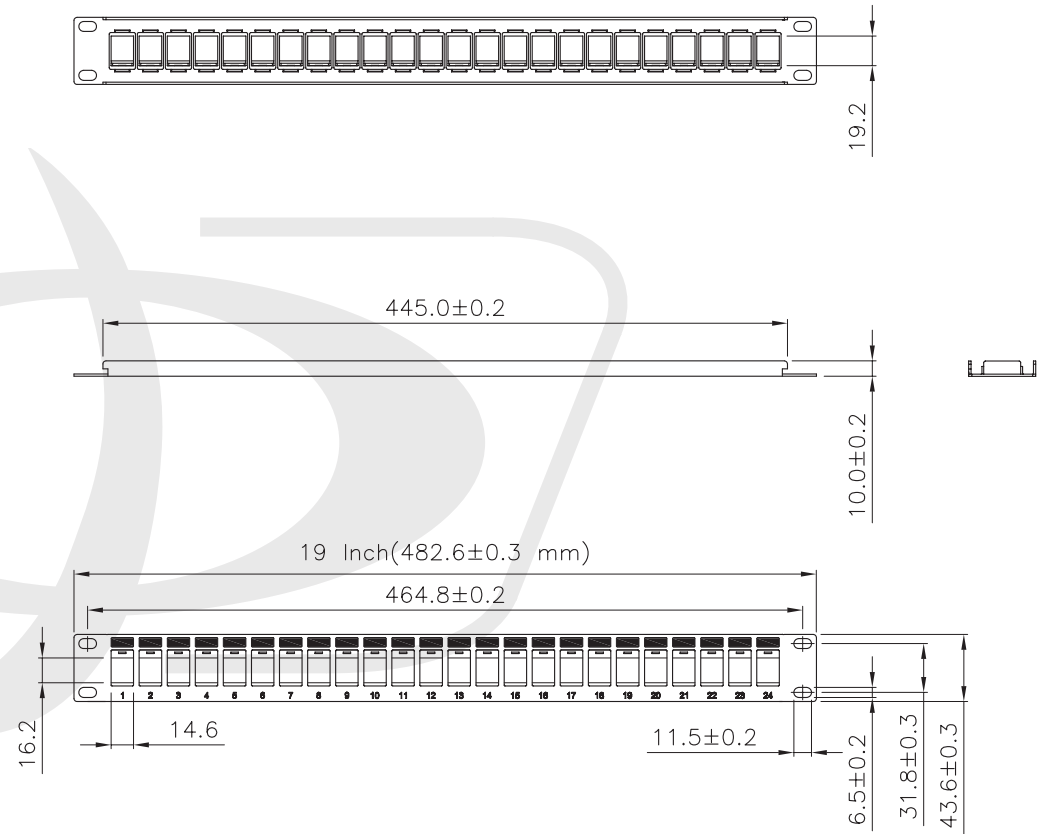


24-port Keystone Patch Panel, 19 inch Rackmount 1U - Unloaded

PP-24KS-1U - Line Drawing



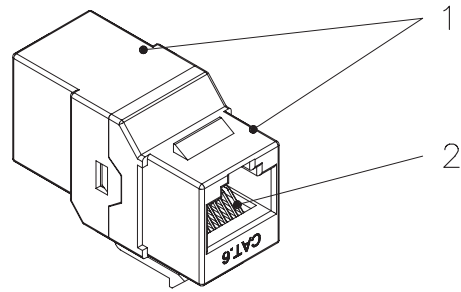
SCALE 1/4



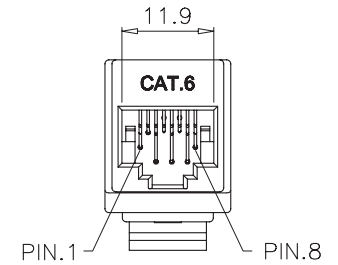
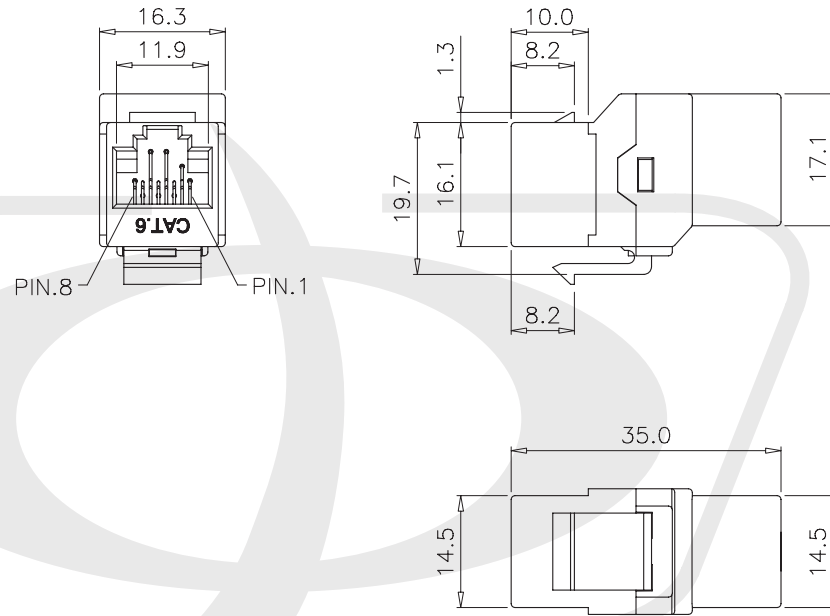
Specification :

Material :

1. Panel : SPCC, 1.5 mm thickness with Black color painted.
2. Insert : ABS, UL 94V-0.



SCALE 1/1



Specification :

Material :

1. Plastic Housing : ABS + PC, UL 94V-0.
2. RJ45 Jack Contact material & finished :
 - 2-1. Phosphor Bronze, Round pin.
 - 2-2. Min. 50 micro-inch Gold plating over 50-60 micro-inch Nickel plated.