



# 24-Port Angled CAT5e Patch Panel, 19" Rackmount 1U - Pass-Through

PP-24C5-APT - Specifications

## Description

This 24 port Cat5e 1U patch panel has RJ45 female to female feed-through keystone couplers on both ends. It is meant to be mounted on a 19" rack or cabinet and provides an easy method to couple Cat5e patch cables.

## Physical Characteristics

Color	Black (Powder Coat)
Material	Steel
Connector Type	CAT5e
Ports	24
Rack Space	1U
Product Dimensions	19" W x 1.75" H [48 cm W x 4.45 cm H]
Rackmountable	Yes, 19" Rack or Cabinet

## Connectors

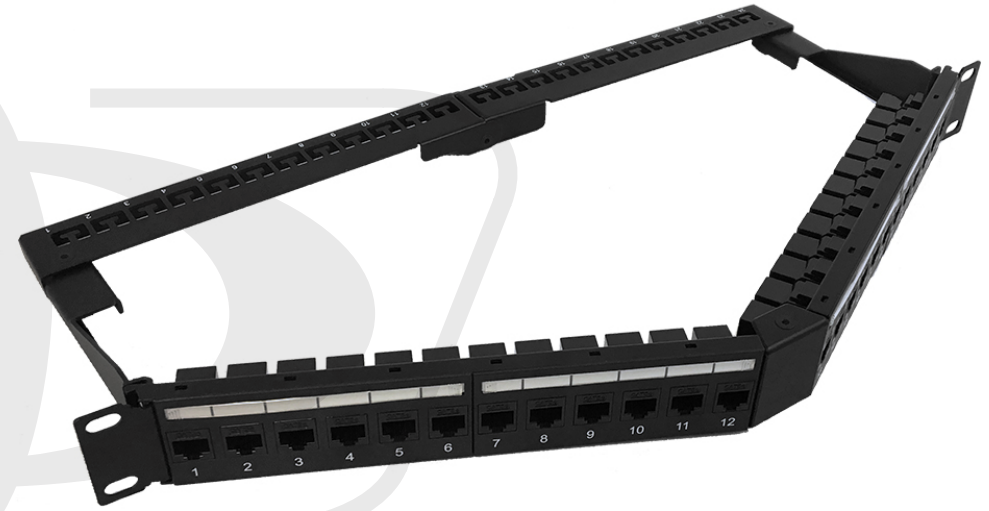
Front	24 - RJ45 CAT5e Female
Rear	24 - RJ45 CAT5e Female

## Environmental

RoHS	Yes
------	-----

## Packaging Information

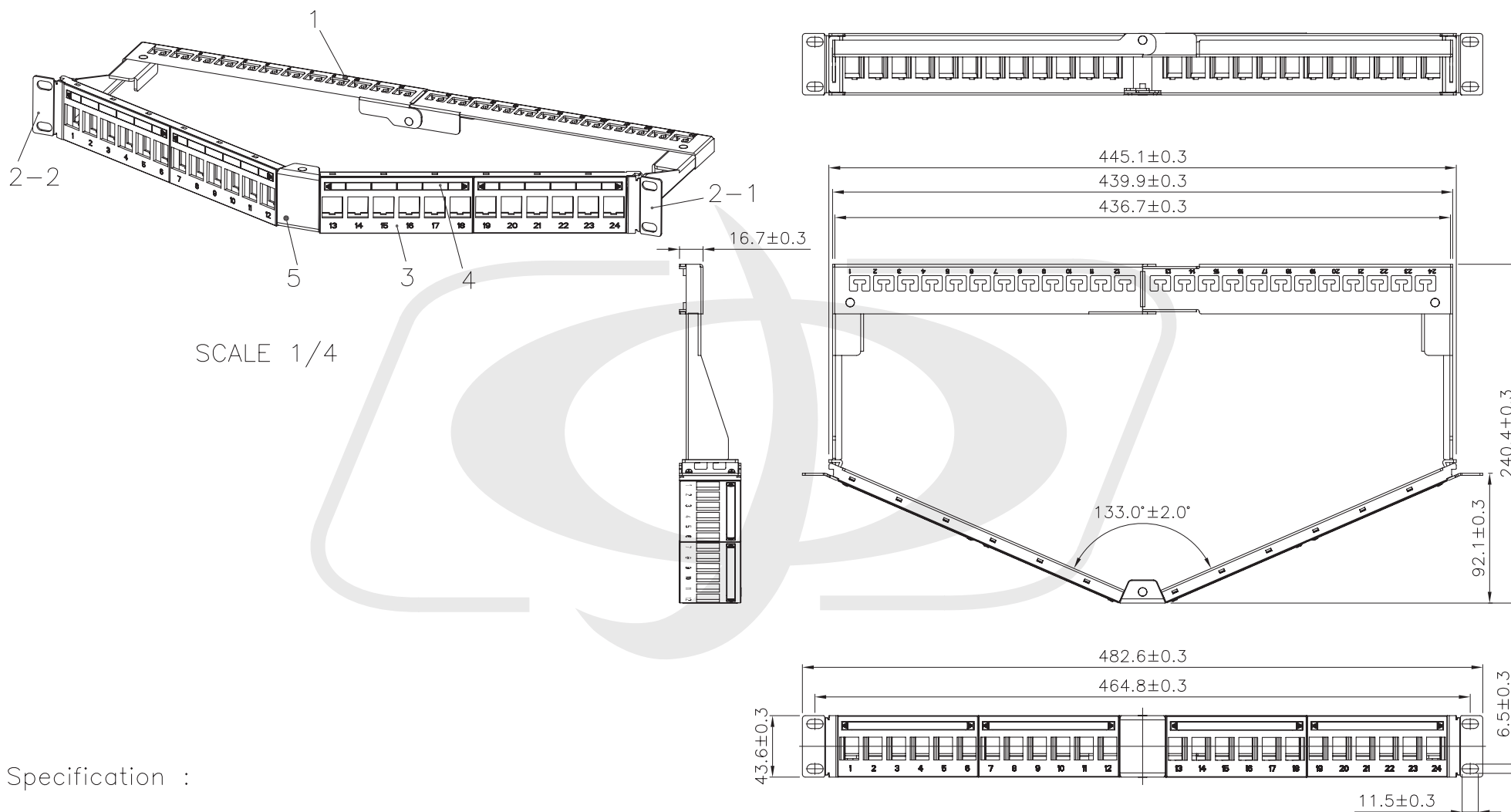
Package Quantity	1 - Patch Panel
Product Weight	1.05 lbs [0.46 kg]



### **Built from components:**

PP-24KAU-1U

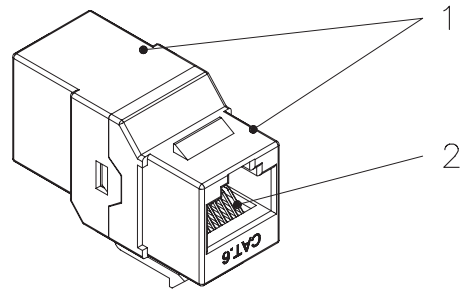
JK-8C5FF-BK



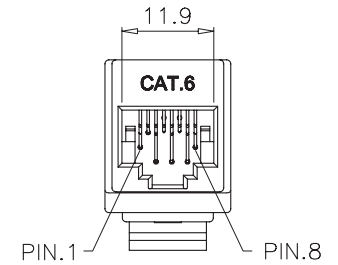
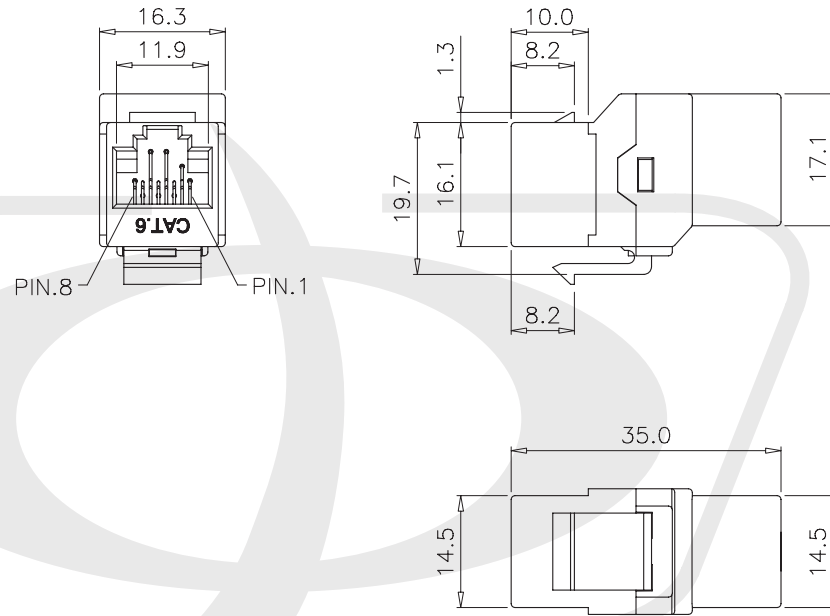
### Specification :

#### Material :

1. Support Bar : SPCC, 1.5mm thickness with Black(RAL 9005) color painted.
2. Rear Panel : SPCC, 1.5mm thickness with Black(RAL 9005) color painted.
3. Front Plate : ABS, UL 94-HB.
4. Identification :
  - 4-1. Paper.
  - 4-2. I.D. Plate : PC, UL 94V-0.
5. Middle-sheet : SPCC, 1.5mm thickness with Black(RAL 9005) color painted.



SCALE 1/1



### Specification :

#### Material :

1. Plastic Housing : ABS + PC, UL 94V-0.
2. RJ45 Jack Contact material & finished :
  - 2-1. Phosphor Bronze, Round pin.
  - 2-2. Min. 50 micro-inch Gold plating over 50-60 micro-inch Nickel plated.