



16-Port Cat6a Patch Panel, 19" Rackmount 1U - Pass-Through

PP-16C6Ax-PT - Specifications

Description

This 16 port Cat6a 1U patch panel has RJ45 female to female feed-through keystone couplers on both ends. It is meant to be mounted on a 19" rack or cabinet and provides an easy method to couple Cat6a patch cables.

Physical Characteristics

Color	Black (Powder Coat)
Material	Steel
Connector Type	CAT6A
Ports	16
Rack Space	1U
Product Dimensions	19" W x 1.75" H [48 cm W x 4.45 cm H]
Rackmountable	Yes, 19" Rack or Cabinet



Connectors

Front	16 - RJ45 Cat6a Female
Rear	16 - RJ45 Cat6a Female

Built from components:

PP-16KS-1U
JK-8C6AFF-BK / JK-8C6AFF-WH

Environmental

RoHS	Yes
------	-----

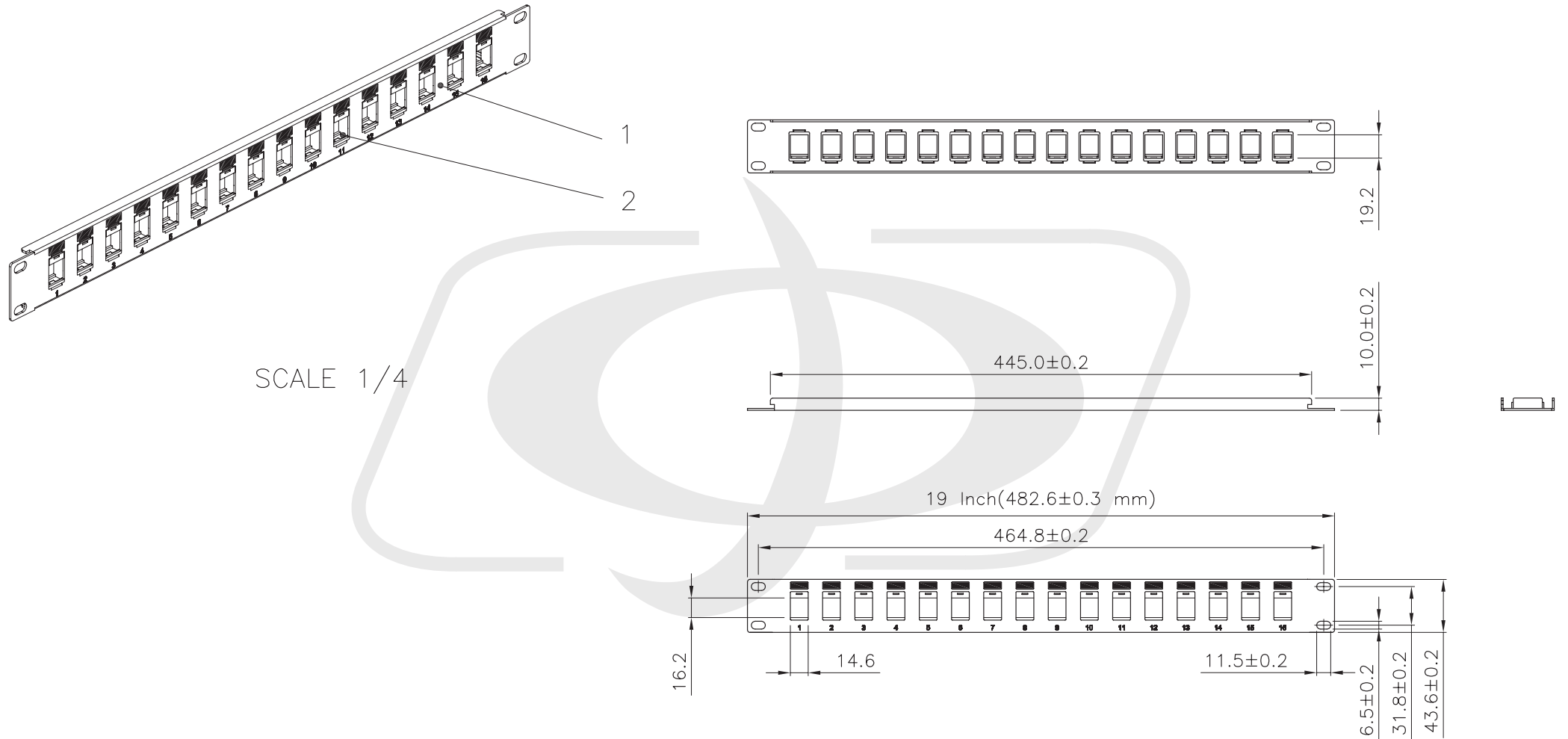
Packaging Information

Package Quantity	1 - Patch Panel
Product Weight	0.95 lbs [0.4 kg]



16-port Keystone Patch Panel, 19 inch Rackmount 1U - Unloaded

PP-16KS-1U - Line Drawing



Specification :

Material :

1. Panel : SPCC, 1.5 mm thickness with Black color painted.
2. Insert : ABS, UL 94V-0, Black color.

