



12-Port CAT6 Patch Panel, 19" Rackmount 1U - 110 Punch-Down

PP-12C6-110 - Specifications

Description

This 12 port Cat6 1U patch panel has RJ45 female ports on the front and 110 punch-down style terminals on the rear. It is meant to be mounted on a 19" rack or cabinet and provides an easy method to terminate raw Cat5e and Cat6 runs.

Physical Characteristics

Color	Black Powder Coated
Material	Steel
Connector Type	Cat5e or Cat6
Color Code	568A or 568B
Ports	12
Rack Space	1U
Product Dimensions	19" W x 3.5" H [48 cm W x 8.9 cm H]
Rackmountable	Yes, 19" Rack or Cabinet

Connectors

Front	12 - RJ45 CAT6 Female
Rear	12 x 4 Pair - 110 Style Punch-Down Terminations

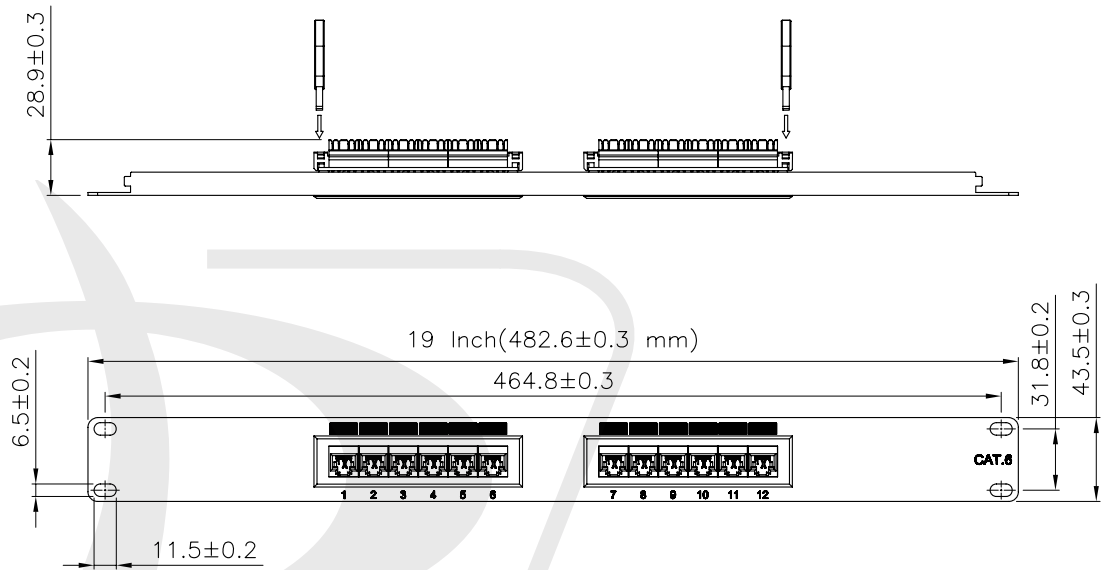
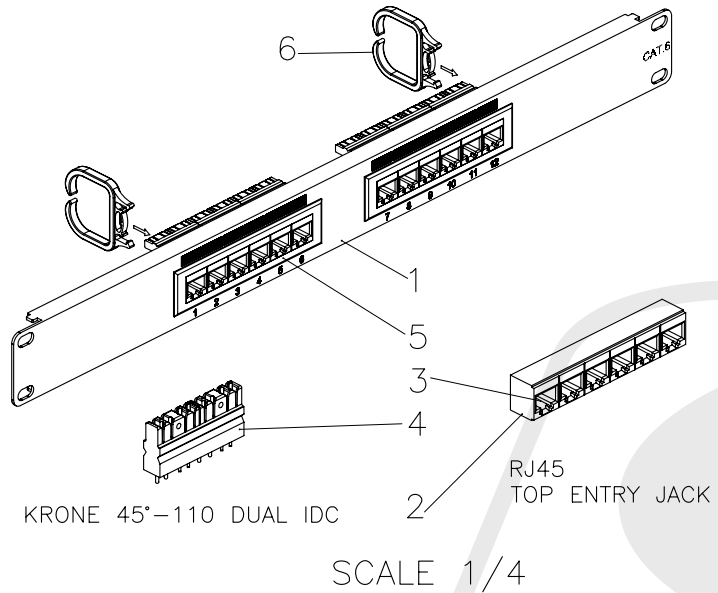
Environmental

RoHS	Yes
------	-----

Packaging Information

Package Quantity	1 - Patch Panel
Product Weight	0.75 lbs [0.34 kg]





Specifications :

Material :

1. Panel : SPCC, 1.5 mm thickness with Black(RAL 9005) color painted.
2. RJ45 Jack :
 - 2-1. Housing : ABS, UL 94V-0.
 - 2-2. Contact Bracket : PC, UL 94V-2, Transparent color.
3. RJ45 Jack Contact :
 - 3-1. Material : Phosphor Bronze with Nickel plated.
 - 3-2. Finish : 50 micro-inch Gold plated on Plug contact area.
4. IDC :
 - 4-1. Housing : PC+Glass Fiber, UL 94V-2.
 - 4-2. Terminal : Phosphor Bronze with Tin plated.
5. Jack Bracket Set : ABS, UL 94V-0.
6. Cable Holder : Nylon.
7. PCB : FR4, UL 94V-0.

