



Two Arm Swivel & Tilt Wall Mount LCD Bracket - Fits TV Sizes 23 to 42in - Max VESA 200x200

MT-542-BK - Specifications

Description

This swivel and tilting wall mount bracket is designed to hold most 23 inch to 42 inch flat screen displays with a maximum VESA hole pattern of 200x200. It offers a up to a -10° to +3° tilt and a -90° to +90° swivel. It can be used in both residential and commercial environments.

Physical Characteristics

Mounting Style	Full Motion Wall Mount
Color	Black
Material	Steel, Plastic
Mounting Pattern	VESA 100x100,200x100,200x200
Screen Size	23 - 42 inches [58 - 107cm]
Dimensions	300x230x255mm (11.8"x9.1"x10")
Weight Capacity	20kg (44lbs)
Tilt	-10° ~ +3°
Swivel	-90° ~ +90°
Profile	56~300mm (2.2"~11.8")
Level Adjustment	-3° ~ +3°
Installation	Single Stud
Cable Management	No
Fit Curved TV	No

Approvals

RoHS, Reach	Yes
-------------	-----

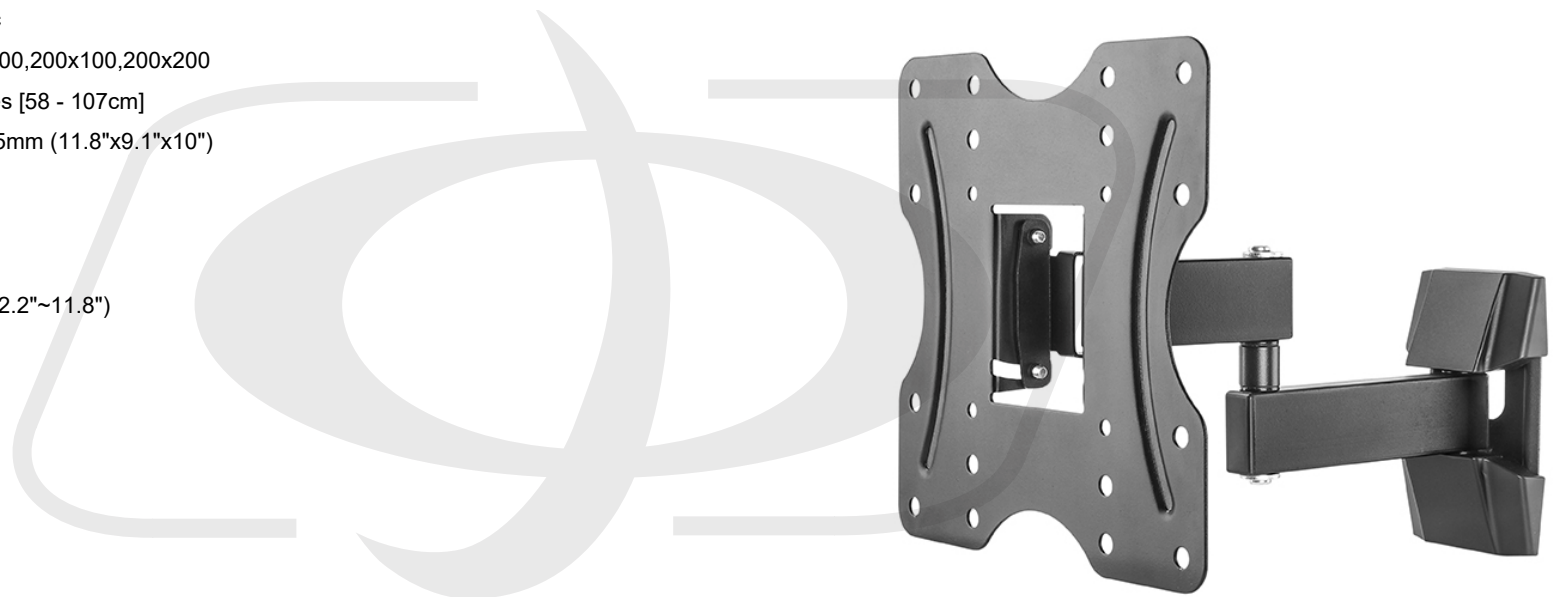
Packaging Information

Package Quantity	1
Mounting Hardware	4 - M4x14 Screws 4 - M5x14 Screws 4 - M6x14 Screws 4 - M8x20 Screws 4 - D5 Washers 4 - D8 Washers 8 - Small Spacers 3 - ST6.3x55 Screws 3 - Concrete Anchors 3 - D6 Washers

Product Weight	5.1lbs [2.3kg]
----------------	----------------

Warranty Information

Warranty	Limited Lifetime
----------	------------------





Two Arm Swivel & Tilt Wall Mount LCD Bracket - Fits TV Sizes 23 to 42in - Max VESA 200x200

MT-542-BK - Line Drawing

