

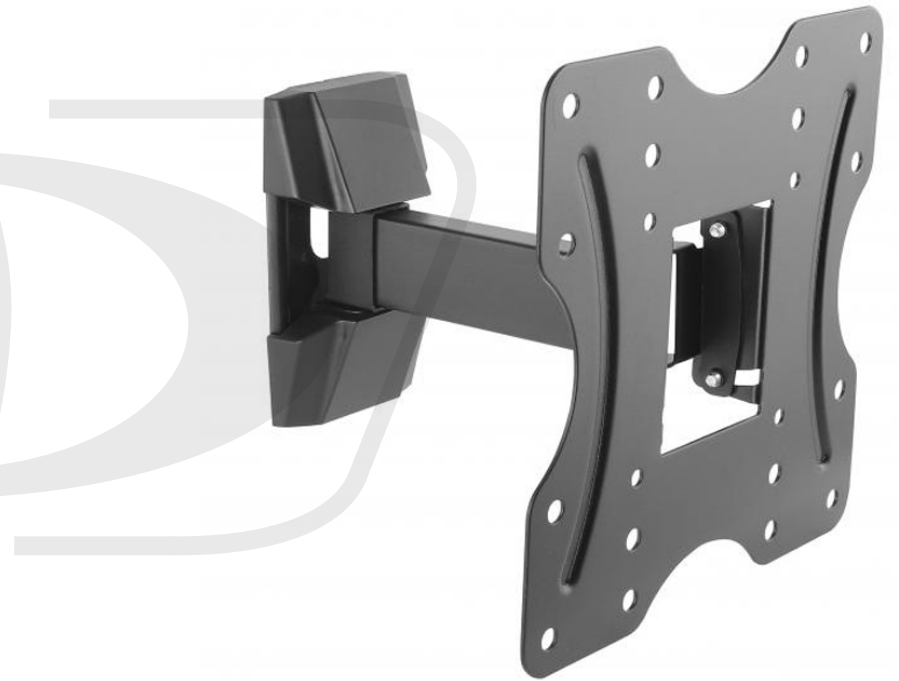


Description

The tilt and swivel motion of the mount allows you to position your TV to the best viewing angle, and provide the maximum viewing experience. This mount can be swiveled to the left or right direction at 90° and tilted at a range of -10° to +3°.

Physical Characteristics

Mounting Style	Tilting & Swivel Wall Mount
Color	Black
Material	Steel, Plastic
Mounting Pattern	VESA 100x100, 200x100, 200x200
Metal Sheet Thickness	VESA Panel Thickness =1.8mm [0.071"] cold-rolled sheet Wall Plate Thickness =2.3mm [0.091"] pickling sheet
Dimensions	205 x 230 x 255mm [8.1" x 9.1" x 10"]
Screen Size	23 - 42 inches [58 - 107cm]
Weight Capacity	66lbs [30kg]
Tilt	-10° ~ +3°
Swivel	-90° ~ +90°
Profile	56 ~ 205mm [2.2" ~ 8.1"]
Installation	Solid Wall
Panel Type	Detachable Panel
Wall Plate Type	Fixed Wall Plate



Approvals

RoHS, Reach	Yes
-------------	-----

Packaging Information

Package Quantity	1
Mounting Hardware	Included
Product Weight	4.9lbs [2.2kg]

Warranty Information

Warranty	Limited Lifetime
----------	------------------



Swivel & Tilt Wall Mount LCD Bracket with Arm - Fits TV Sizes 23-42in - Max VESA 200x200

MT-541-BK - Line Drawing

