



Fixed TV Wall Mount Bracket for Flat&Curved LCD/LEDs - Fits Sizes 37-70in - Max VESA 600x400

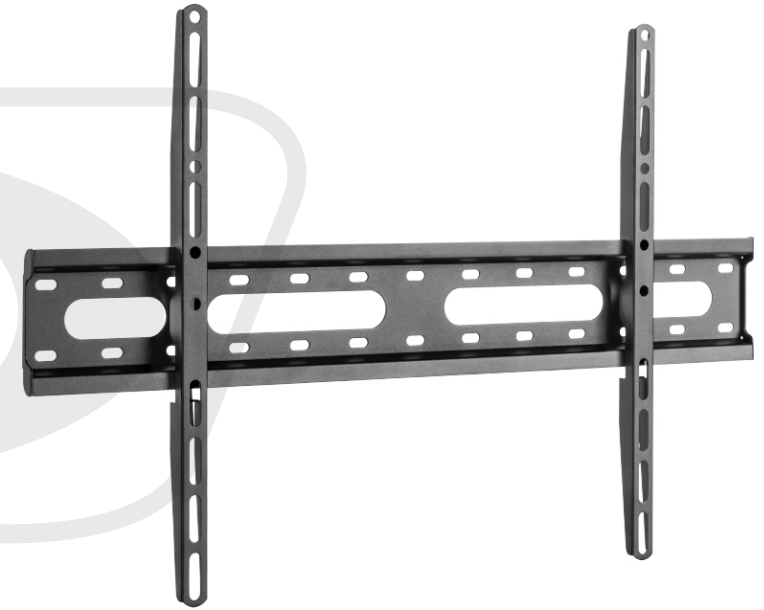
MT-336-BK - Specifications

Description

This LCD/LED fixed style TV wall mount bracket fits most 37 inch to 70 inch LCD displays with a maximum VESA hole pattern of 600x400. Its simple construction allows for easy installation and can be used in both residential and commercial environments.

Physical Characteristics

Mounting Style	Fixed TV Wall Mount
Color	Powder Coated Black
Material	Steel
Metal Sheet Thickness	Bracket Arm Thickness=1.4mm [0.055 inch] cold-rolled sheet Wall Plate Thickness=1.4mm [0.055 inch] cold-rolled sheet
Dimensions	635 x 420 x 27mm [25 x 16.5 x 1.1 inches]
Mounting Pattern	VESA 200x200,300x200,400x200,300x300,400x300,400x400,600x400
Screen Size	37 - 70 inches [93 - 177cm]
Weight Capacity	99 lbs [45kg]
Profile	27 mm [1.1 inch]
Installation	Solid Wall
Panel Type	Detachable Panel
Wall Plate Type	Fixed Wall Plate
Bubble Level	Hook-on Bubble Level (Included in Components Package)
Fits Curved TV	Yes
Tilt	No
Direction Indicator	No
Cable Management	No
Anti-Theft	No



Approvals

RoHS, Reach	Yes
-------------	-----

Packaging Information

Package Quantity	1
Product Weight	4 lbs [1.81kg]



Fixed TV Wall Mount Bracket for Flat&Curved LCD/LEDs - Fits Sizes 37-70in - Max VESA 600x400

MT-336-BK - Line Drawing

