



HDMI High Speed with Ethernet Premium Cable

HDMI-140-15K - Specifications

Description

This High-Speed HDMI® cable consists of a HDMI male connector on both ends. It is typically used to connect a HDMI source such as Blu-Ray players and PC's to a HDTV or monitor and supports a maximum ultra HD resolutions up to 4k x 2k.

Physical Characteristics

Color	Black
Connector Plating	Gold
Cable Length	15ft
Wire Gauge	28 AWG
Cable Diameter	7.3 mm
Jacket Material	PVC
Jacket Fire Rating	CL3/FT4
Strain Relief	Molded PVC
Shielding	50% Braid + 100% Aluminum-Mylar Foil

Connector(s)

Connector A	HDMI A (19 pin) Male
Connector B	HDMI A (19 pin) Male

Performance

Resolution	HD 4k x 2k @ 60Hz
Bandwidth	10.2Gbps
HDMI Version	HDMI 1.4 Yes
Built in Ethernet Channel	Yes
3D Compatible	Yes
Audio Return Channel	Yes

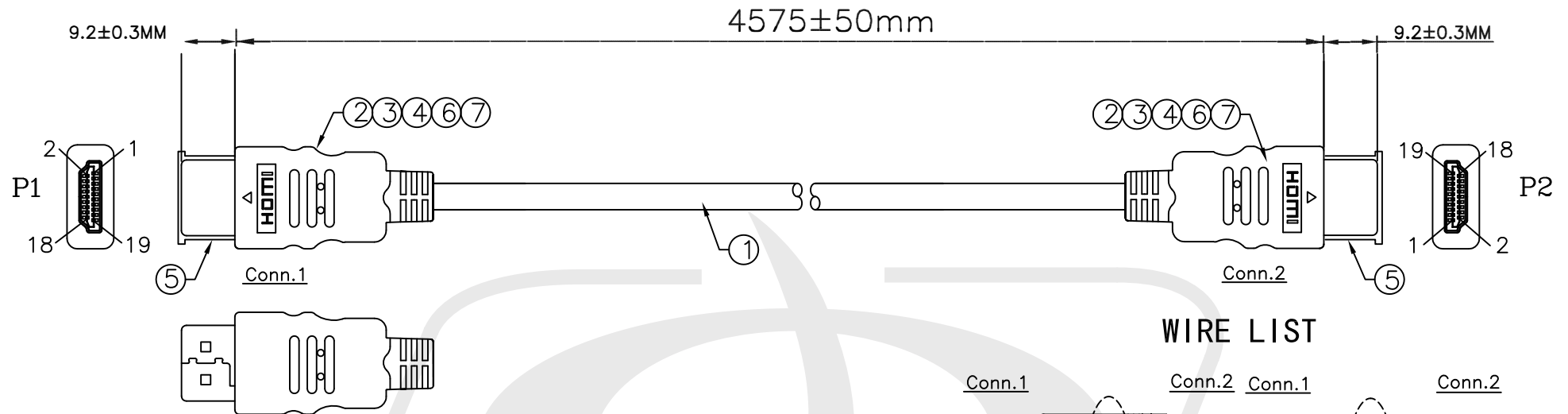
Approvals / Environmental

c(UL)us	Approved Cable
RoHS	Yes
Reach	Yes
Conflict Minerals	Yes

Warranty Information

Warranty	Limited Lifetime
----------	------------------





ELECTRICAL TEST:

- 1.100% OPEN & SHORT & MIS WIRE TEST
- 2.CONTACT RESISTANCE:2 OHM(MAX)
- 3.INSULATION RESISTANCE:10M OHM(MIN)
- 4.HI-POT TEST:DC 300V/10ms
- 5.4K*2K@60HZ

WIRE LIST

Conn.1	Conn.2	Conn.1	Conn.2
1	White	1	White
2	Red	2	Black
3	Drain	3	Drain
4	White	4	White
6	Brown	6	Red
5	Drain	5	Drain
7	White	7	Pink
9	Blue	9	Gray
8	Drain	8	
10	White	10	
12	Green	12	
11	Drain	11	
Shell	Drain Wire	Shell	Drain Wire

NO DESCRIPTION

- 1 HDMI 1.4V 20276~[28AWG(7/0.127TC)+EAM]*5P+28AWG(7/0.12TC)*4C+AEB(16/0.12AL-MG 50%AL) ~OD:7.3MM~BLACK MARK:Phantom Cables E345575 AWM STYLE 20276 80°C 30V VW-1 HIGH SPEED HDMI® CABLE WITH ETHERNET (← 10MM →) CL3/FT4
- 2 HDMI A/M 19P A, W BLACK PLUG SHELL GOLD PIN G/F
- 3 inner molding LD PE
- 4 outer molding 45P BLACK PVC
- 5 HDMI M PVC dust cap
- 6 HDMI A TYPE 19P M A,W apply 28AWG black Double rows line frame
- 7 H.S,T 1.0 black

