



# HDMI High Speed with Ethernet Premium Cable

HDMI-140-03K - Specifications

## Description

This High-Speed HDMI® cable consists of a HDMI male connector on both ends. It is typically used to connect a HDMI source such as Blu-Ray players and PC's to a HDTV or monitor and supports a maximum ultra HD resolutions up to 4k x 2k.

## Physical Characteristics

Color	Black
Connector Plating	Gold
Cable Length	3ft
Wire Gauge	28 AWG
Cable Diameter	7.3 mm
Jacket Material	PVC
Jacket Fire Rating	CL3/FT4
Strain Relief	Molded PVC
Shielding	50% Braid + 100% Aluminum-Mylar Foil

## Connector(s)

Connector A	HDMI A (19 pin) Male
Connector B	HDMI A (19 pin) Male

## Performance

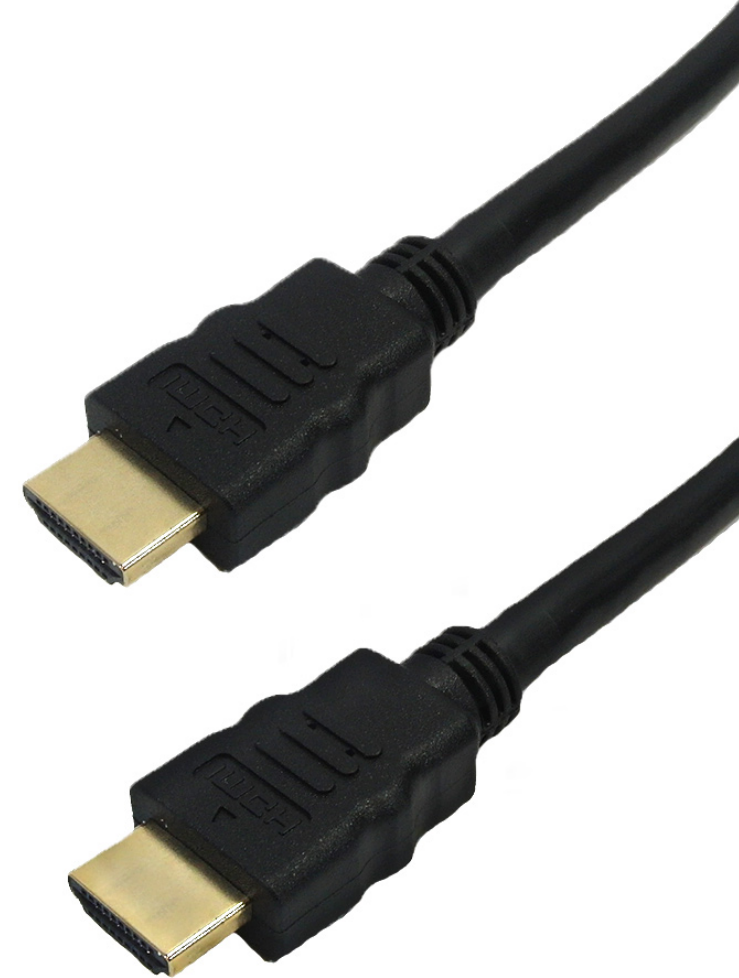
Resolution	HD 4k x 2k @ 60Hz
Bandwidth	18Gbps
HDMI Version	HDMI 2.0, 2.0a, 2.0b
Built in Ethernet Channel	Yes
3D Compatible	Yes
Audio Return Channel	Yes

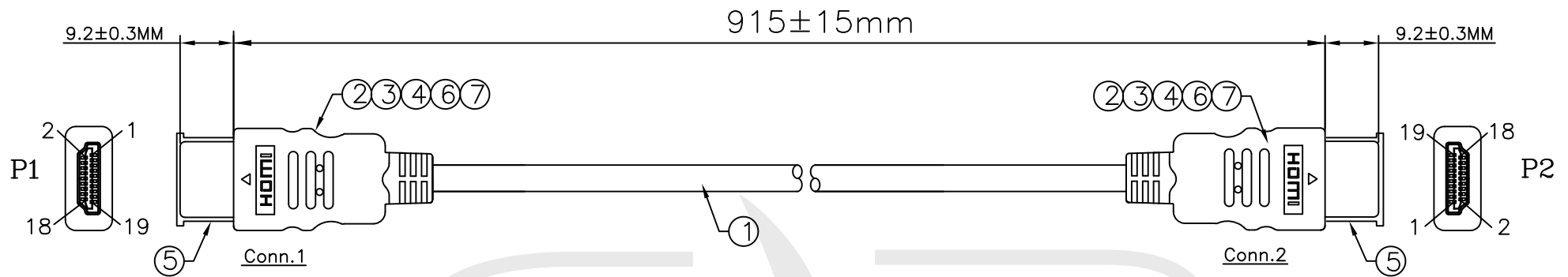
## Approvals / Environmental

c(UL)us	Approved Cable
RoHS	Yes
Reach	Yes
Conflict Minerals	Yes

## Warranty Information

Warranty	Limited Lifetime
----------	------------------

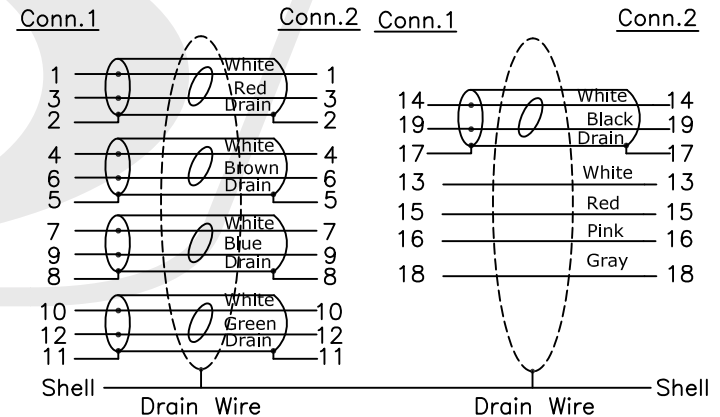




**ELECTRICAL TEST:**

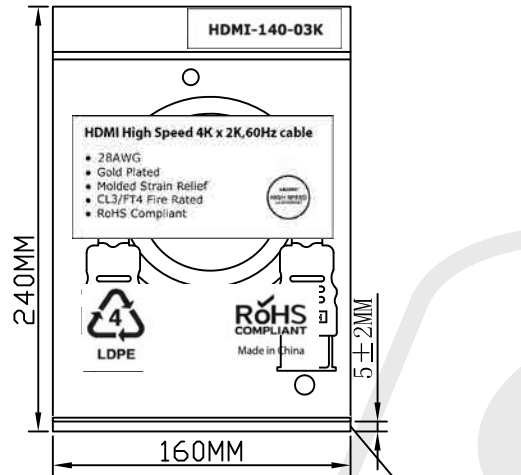
1. 100% OPEN & SHORT & MIS WIRE TEST
2. CONTACT RESISTANCE: 2 OHM(MAX)
3. INSULATION RESISTANCE: 10M OHM(MIN)
4. HI-POT TEST: DC 300V/10ms
5. 4K\*2K@60HZ

**WIRE LIST**



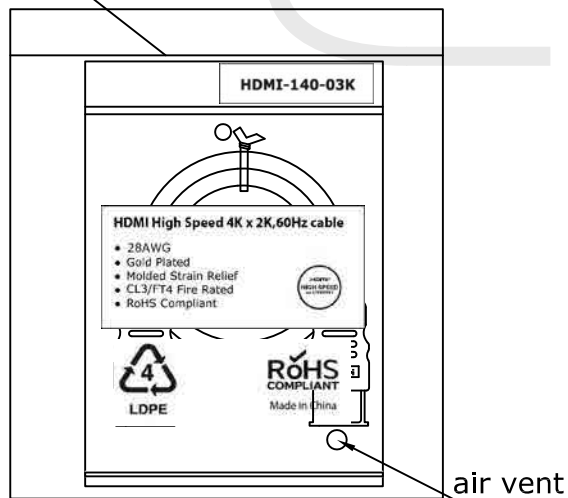
**NO DESCRIPTION**

- 1 HDMI 1.4V 20276~[28AWG(7/0.127TC)+EAM]\*5P+28AWG(7/0.12TC)\*4C+AEB(16/5/0.12AL-MG 50%AL) ~OD:7.3MM~BLACK MARK:Phantom Cables E345575 AWM STYLE 20276 80°C 30V VW-1 HIGH SPEED HDMI® CABLE WITH ETHERNET (← 10MM →) CL3/FT4
- 2 HDMI A/M 19P A, W BLACK PLUG SHELL GOLD PIN G/F
- 3 inner molding LD PE
- 4 outer molding 45P BLACK PVC
- 5 HDMI M PVC dust cap
- 6 HDMI A TYPE 19P M A,W apply 28AWG black Double rows line frame
- 7 H.S,T 1.0 black



one pcs /PE bag

heat seal



10PCS/middle pocket

