



# LC/ST - Singlemode Duplex 9 Micron Fiber Cable - 3mm Jacket LSZH/OFNR

## FO-210-xx - Specifications

### Description

These 9 micron (OS2) fiber optic cable is made with Corning glass fiber. It has 3mm jacket and rated low smoke zero halogen (LSZH) & riser (OFNR). They are tested to provide the optimum data transmission and network stability. They are used for connections to data center, CATV, fiber test equipment, LAN, telecommunication networks, FTTx, communication rooms and fiber optic communication system.

### Physical Characteristics

|                       |                                              |
|-----------------------|----------------------------------------------|
| Color                 | Yellow                                       |
| Cable Diameter        | 3mm                                          |
| Fiber Size            | 9/125 micron                                 |
| Fiber Type            | Singlemode                                   |
| Glass Manufacturer    | Corning Glass                                |
| Connector Ferules     | Ceramic                                      |
| Fiber Classification  | OS2                                          |
| Jacket Rating         | Low Smoke Zero Halogen (LSZH) & Riser (OFNR) |
| Operating Temperature | -20 deg C ~ +70 deg C                        |

### Connectors

|             |                    |
|-------------|--------------------|
| Connector A | LC/UPC Duplex Male |
| Connector B | ST/UPC Duplex Male |

### Performance

|                       |                 |
|-----------------------|-----------------|
| Insertion Loss        | <0.3db @ 1550nm |
| Return Loss           | ≥50db           |
| Interferometer Tested | 100% Tested     |

### Environmental

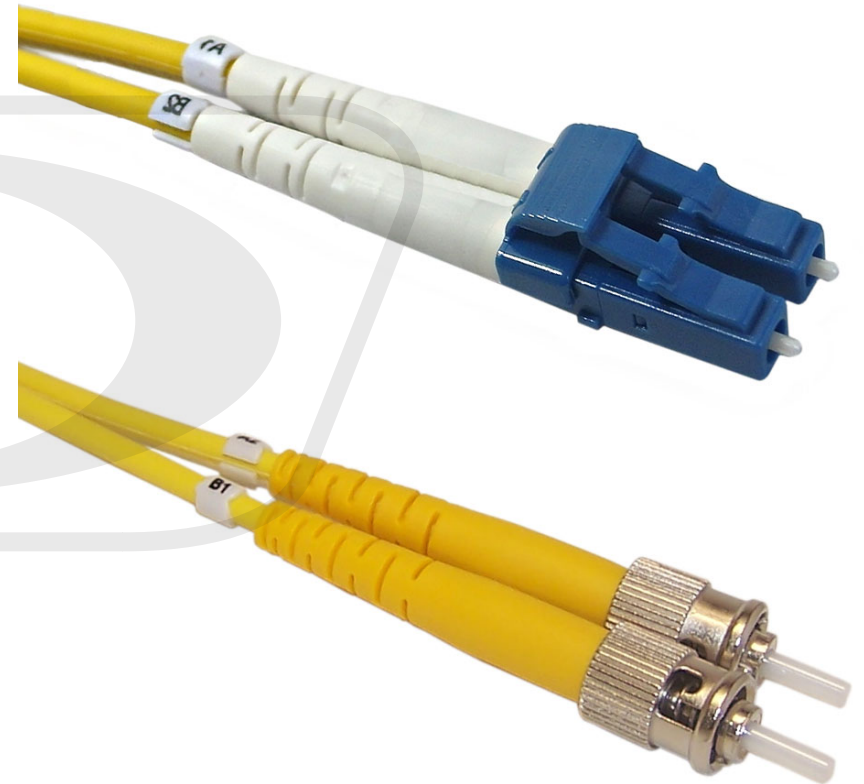
|                   |     |
|-------------------|-----|
| RoHS              | Yes |
| Conflict Minerals | Yes |

### Packaging Information

|                  |   |
|------------------|---|
| Package Quantity | 1 |
|------------------|---|

### Warranty Information

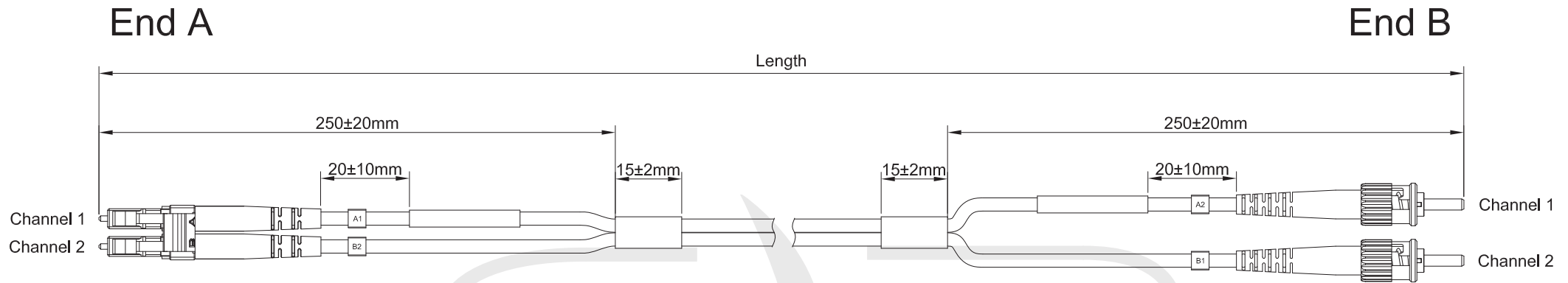
|          |                  |
|----------|------------------|
| Warranty | Limited Lifetime |
|----------|------------------|





# LC/ST - Singlemode Duplex 9 Micron Fiber Cable - 3mm Jacket LSZH/OFNR

FO-210-xx - Line Drawing



### Jacket Printing:

Phantom Cables Plus Corning 9/125 SM ClearCurve LBL Optical Fiber Cable  
c(UL)us E504569 - RoHS LSZH/OFNR (date) (meter count)M

### Length Tolerance:

- $\pm 20\text{mm}$  (Length  $\leq 0.5\text{M}$ ).
- $-0/+50\text{mm}$  ( $0.5\text{M} < \text{Length} < 1\text{M}$ ).
- $-0/+100\text{mm}$  ( $1\text{M} \leq \text{Length} < 10\text{M}$ ).
- $-0/+1\%$  (Length  $\geq 10\text{M}$ ).

