



SC/SC - Singlemode Duplex 9 Micron Fiber Cable - 2mm Jacket OFNR

FO-204B-xxR - Specifications

Description

These 9 micron (OS2) fiber optic cable is made with Corning ClearCurve LBL glass fiber, which exceeds ITU-T G.657.A2/B2 and remains compatible and fully compliant with ITU-T G.652.D. It has 2mm jacket and rated riser (OFNR). They are tested to provide the optimum data transmission and network stability. They are used for connections to data center, CATV, fiber test equipment, LAN, telecommunication networks, FTTx, communication rooms and fiber optic communication system.

Physical Characteristics

Color	Yellow
Cable Diameter	2mm
Fiber Size	9/125 micron
Fiber Type	Singlemode
Glass Manufacturer	Corning Glass (Clearcurve LBL)
Connector Ferules	Ceramic
Fiber Classification	OS2
Jacket Rating	Riser (OFNR)
Operating Temperature	-10 deg C ~ +70 deg C

Connectors

Connector A	SC/UPC Duplex Male
Connector B	SC/UPC Duplex Male

Performance

Insertion Loss	<0.3db @ 1550nm
Return Loss	≥50db
Interferometer Tested	100% Tested

Environmental

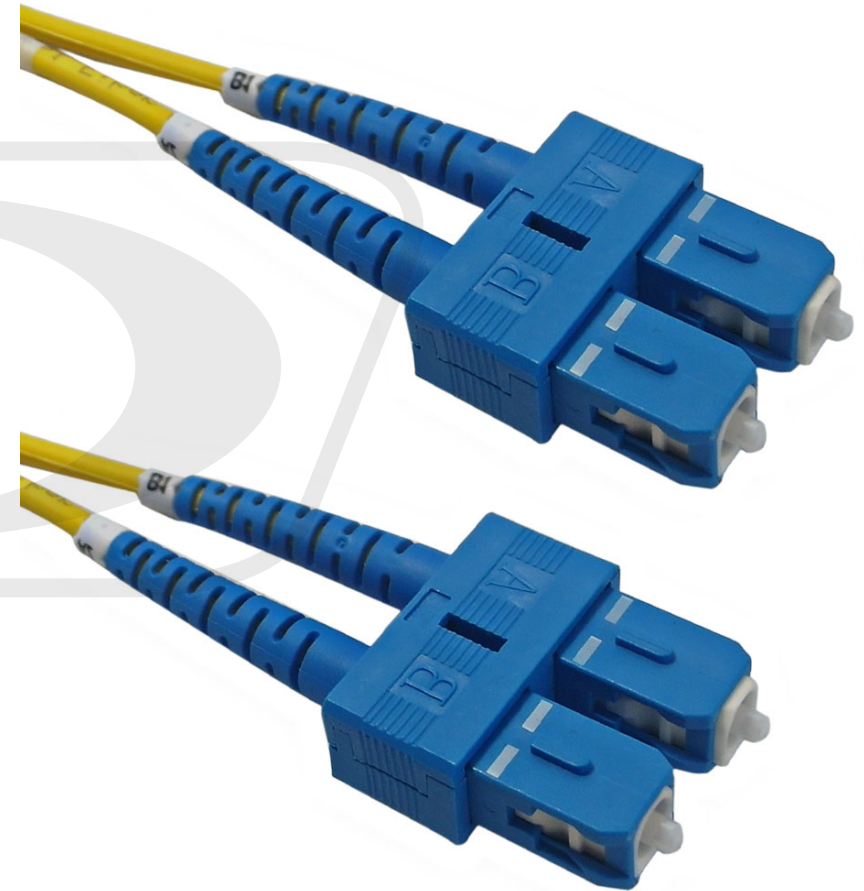
RoHS	Yes
Conflict Minerals	Yes

Packaging Information

Package Quantity	1
------------------	---

Warranty Information

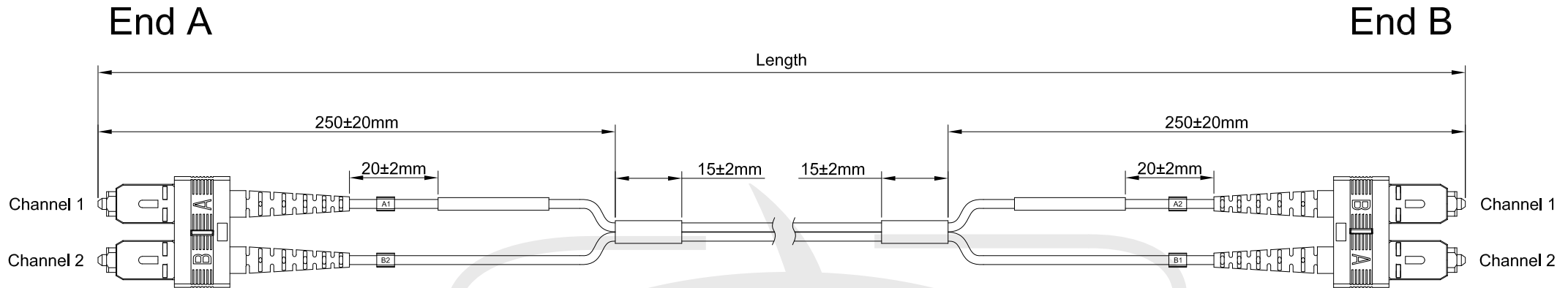
Warranty	Limited Lifetime
----------	------------------





SC/SC - Singlemode Duplex 9 Micron Fiber Cable - 2mm Jacket OFNR

FO-204B-xxR - Line Drawing



Jacket Printing:

Phantom Cables Plus Corning 9/125 SM ClearCurve LBL Optical Fiber Cable
c(UL)us E504569 - RoHS OFNR (date) (meter count)M

Length Tolerance:

- $\pm 20\text{mm}$ (Length $\leq 0.5\text{M}$).
- $-0/+50\text{mm}$ ($0.5\text{M} < \text{Length} < 1\text{M}$).
- $-0/+100\text{mm}$ ($1\text{M} \leq \text{Length} < 10\text{M}$).
- $-0/+1\%$ (Length $\geq 10\text{M}$).

End A

Duplex Clip	Marker
A	A1
B	B2

End B

Marker	Duplex Clip
A2	B
B1	A

