



DP1.4 Male to HDMI Male Cable, 8K@60Hz, HDR10+, HDCP2.2, 32AWG - Black

DP-HD101-xx - Specifications

Description

This cable has a DisplayPort male on one end and a HDMI male on the other. It is used to connect a DP source to a HDMI display. It cannot be used to connect a HDMI source to a DisplayPort monitor.

Note: The output resolution, refresh rate and video pixel format depends on the performance of the computer and the monitor.

Physical Characteristics

Color	Black
Connector Plating	Nickel
Wire Gauge	32 AWG
Working Voltage	3.3 - 3.6V
Working Current	150mA - 300mA
Standby Power Consumption	≤1W
Operating Temperature & Humidity	0 °C to +45°C, 10% to 90 % RH (no condensation)
Storage Temperature & Humidity	-10°C to +70°C, 10% to 90 % RH (no condensation)

Connectors

Connector A	HDMI Male
Connector B	DisplayPort Male

Performance

HDMI Features	Supports HDMI max 8K/60Hz	Supports Dynamic HDR10+
	Supports HDCP1.4&HDCP2.3 specification	Supports HPD
	Supports DSC 1.1/1.2a decoder	Supports 8/10/12 bit color depth output
	Supports pixel format RGB/YCbCr4:4:4/YCbCr4:2:2/YCbCr4:2:0	
	Supports 1 to 32 channels LPCM 192kHz audio output	
	Supports HBR audio up to 1536kHz	
	Supports maximum cable length of 6ft	
DisplayPort Features	Supports DP1.4	Supports DSC1.1/1.2a or uncompressed video
	Supports DSC 1.1/1.2a decoder	Supports 8/10/12 bit color depth
	Supports pixel format RGB/YCbCr4:4:4/YCbCr4:2:2/YCbCr4:2:0	

Certifications/Environmental

FCC, CE	Yes
RoHS, Reach, Conflict Minerals	Yes

Packaging Information

Packaging Quantity	1
--------------------	---

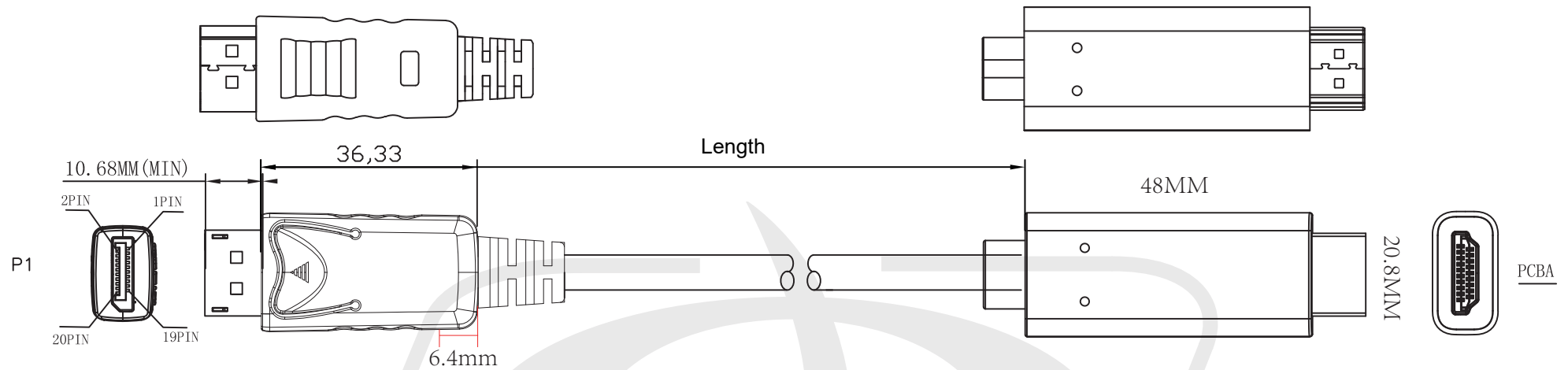
Warranty Information

Warranty	Limited Lifetime
----------	------------------

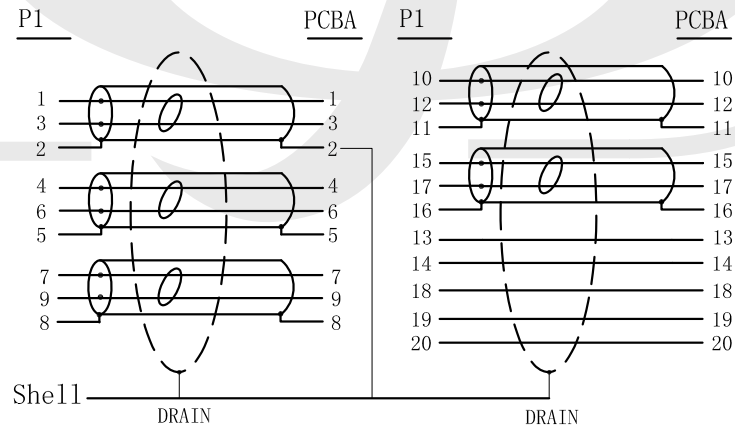
Cable Weights

3ft	6ft	10ft
0.12 lbs	0.16 lbs	0.34 lbs





PIN Assignment





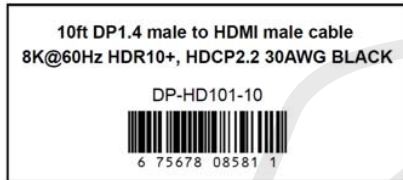
DP1.4 Male to HDMI Male Cable, 8K@60Hz, HDR10+, HDCP2.2, 32AWG - Black

DP-HD101-xx - Packaging Information



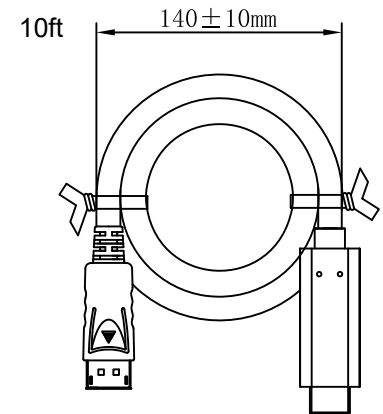
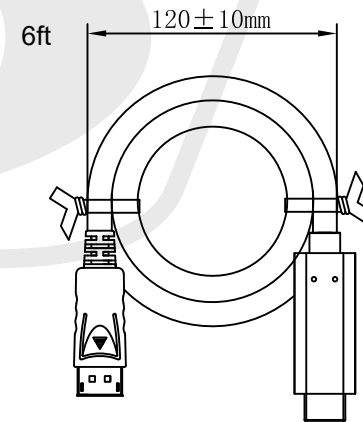
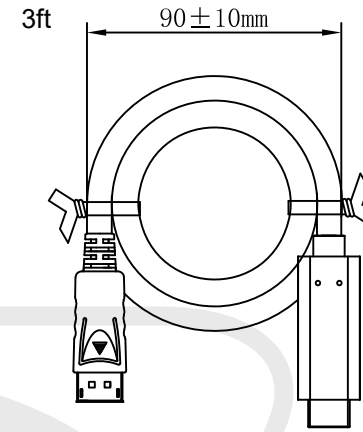
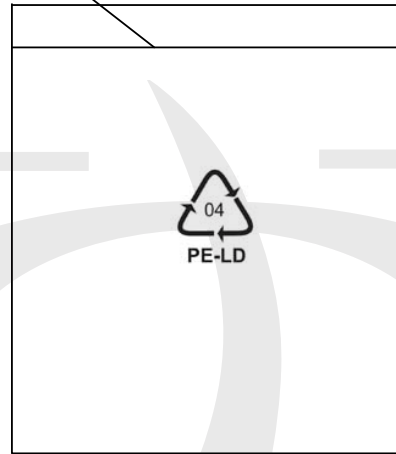
1PCS/PE BAG

HEAT SEAL



10PCS/M PE BAG

HEAT SEAL



P/N	LENGTH(Lmm)	UPC
DP-HD101-03	915mm±20	675678085798
DP-HD101-06	1830mm±30	675678085804
DP-HD101-10	3050mm±30	675678085811

