



SMB Female Crimp Connector for RG174 (LMR-100) 50 Ohm

CN-41-100 - Specifications

Description

This SMB female crimp connector is meant to be terminated on RG174 (LMR-100) bulk cable.

Physical Characteristics

Connector	SMB
Gender	Female
Cable Type	RG174 (LMR-100)
Connector Plating	Nickel
Contact Plating	Gold
Attachment Method	Crimp Sleeve, Solder Pin

Performance

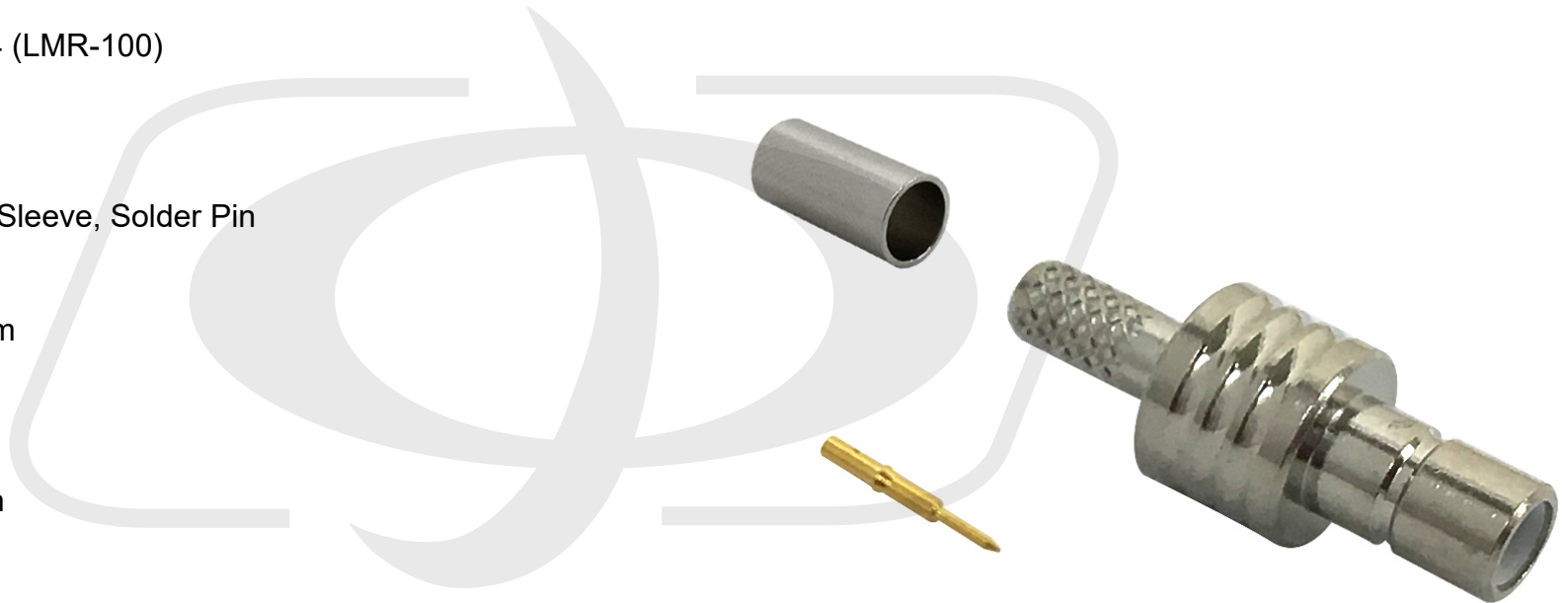
Impedance	50 Ohm
-----------	--------

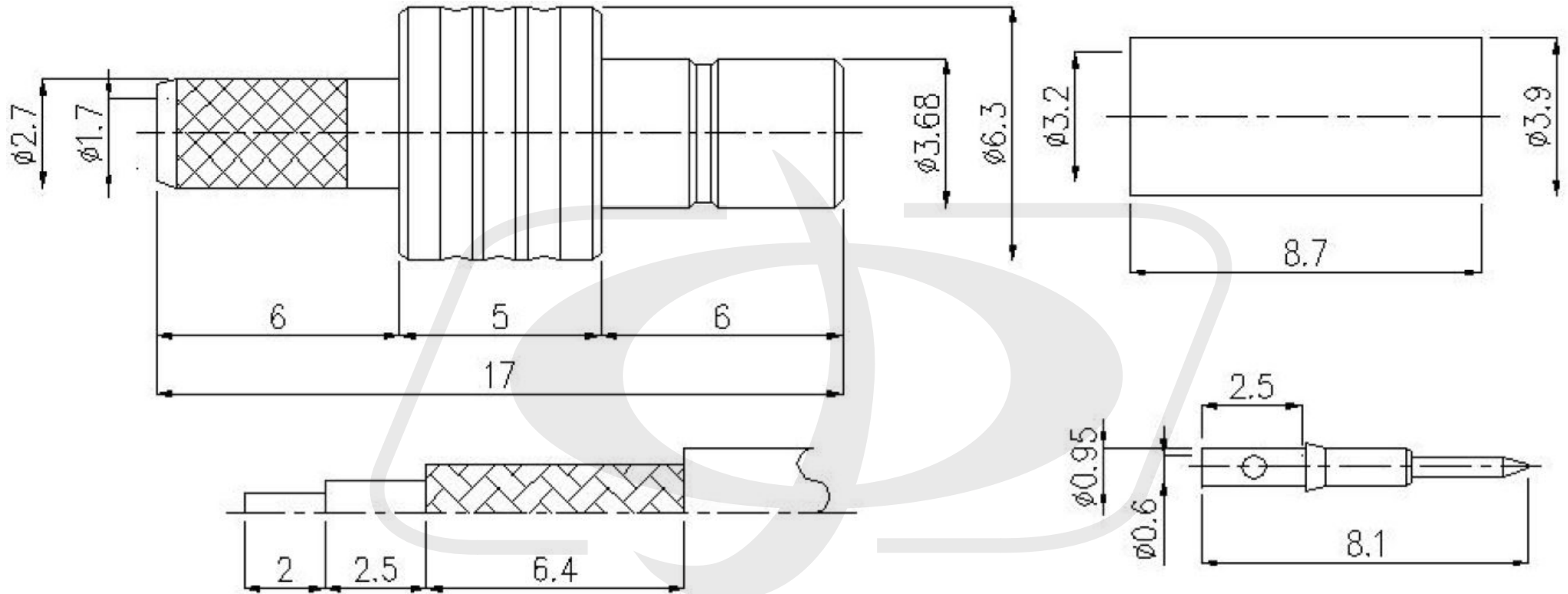
Product Support

RoHS	Yes
Country of Origin	Taiwan

Packaging Information

Package Quantity	1
Product Weight	0.02 lbs [0.01kg]





Tolerance

x.	± 0.2
xx.	± 0.1
xxx.	± 0.05
Angle	$\pm 0.5^\circ$