



TNC Male Right Angle Crimp Connector for RG58 (LMR-195) 50 Ohm

CN-24-195 - Specifications

Description

This TNC male right angle crimp connector is meant to be terminated on RG58 (LMR-195) bulk cable.

Physical Characteristics

Connector	TNC
Gender	Male
Body Style	Right Angle
Cable Type	RG58 (LMR-195)
Connector Plating	Nickel
Contact Plating	Gold
Attachment Method	Crimp Sleeve, Crimp or Solder Pin

Performance

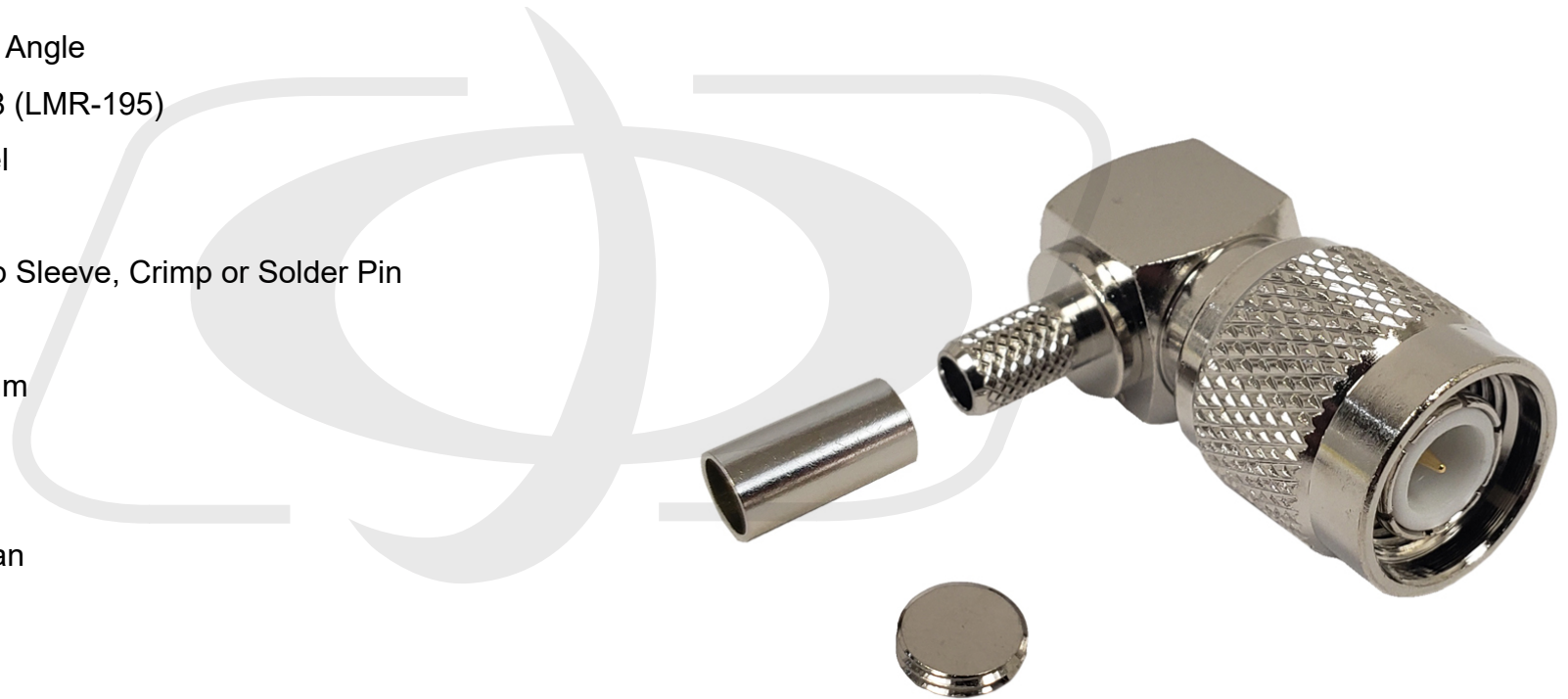
Impedance	50 ohm
-----------	--------

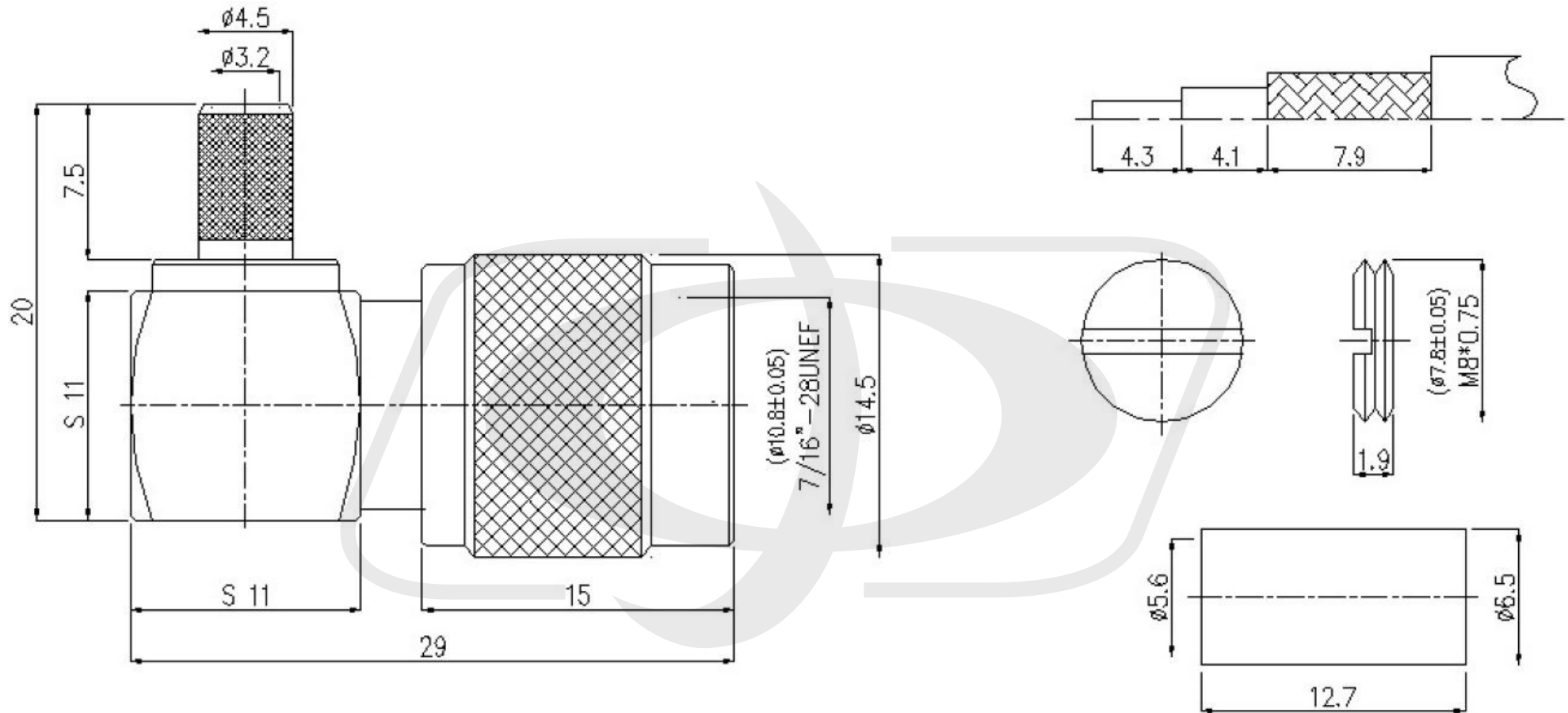
Product Support

RoHS	Yes
Country of Origin	Taiwan

Packaging Information

Package Quantity	1
Product Weight	0.02 lbs [0.01kg]





Tolerance

x.	± 0.2
xx.	± 0.1
xxx.	± 0.05
Angle	$\pm 0.5^\circ$