



TNC Reverse Polarity Male Crimp Connector for RG8 (LMR-400) 50 Ohm

CN-22-400 - Specifications

Description

This TNC male reverse polarity crimp connector is meant to be terminated on RG8 (LMR-400) bulk cable.

Physical Characteristics

| | |
|-------------------|--------------------------|
| Connector | TNC |
| Gender | Male |
| Polarity | Reverse |
| Cable Type | RG8 (LMR-400) |
| Connector Plating | Nickel |
| Contact Plating | Gold |
| Attachment Method | Crimp Sleeve, Solder Pin |

Performance

| | |
|-----------|--------|
| Impedance | 50 Ohm |
|-----------|--------|

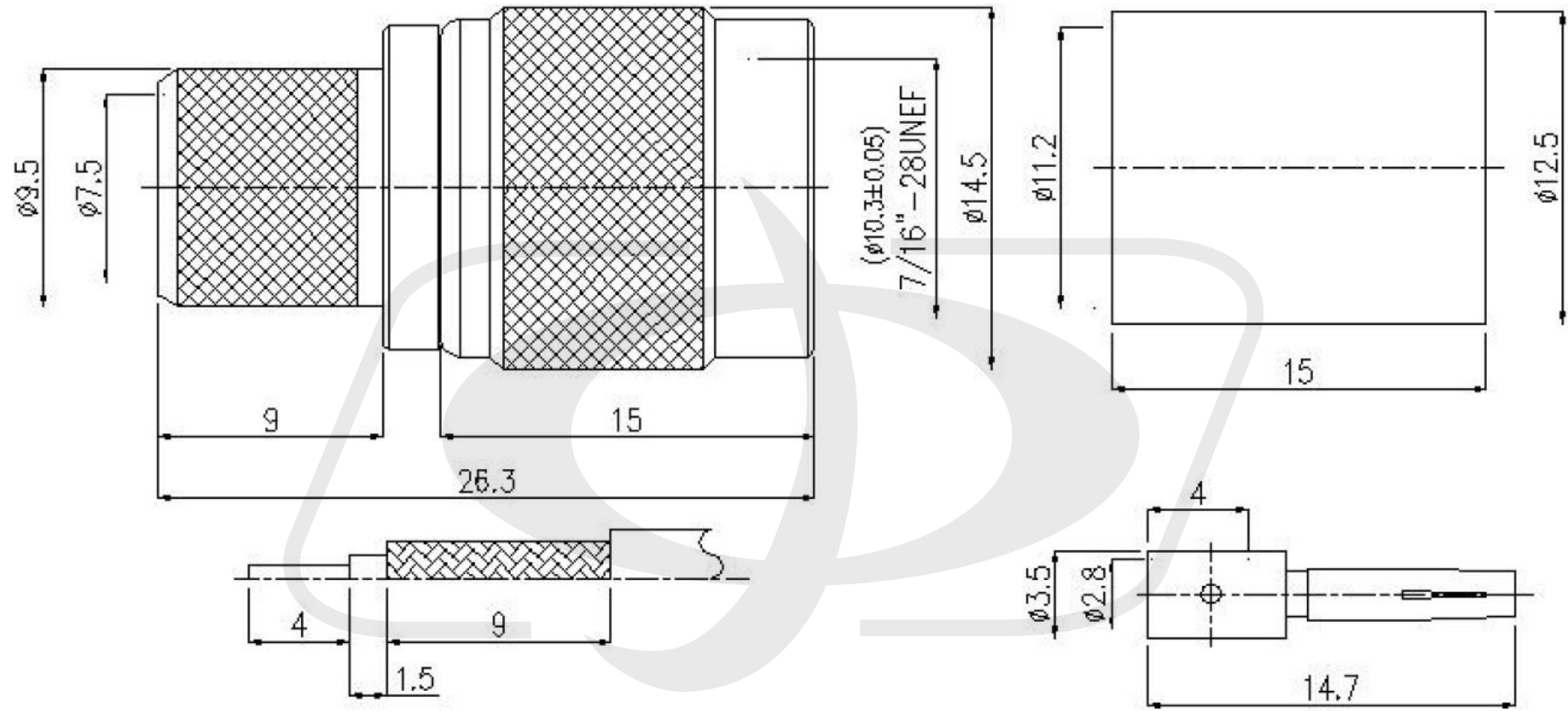
Product Support

| | |
|-------------------|--------|
| RoHS | Yes |
| Country of Origin | Taiwan |

Packaging Information

| | |
|------------------|--------------------|
| Package Quantity | 1 |
| Product Weight | 0.03 lbs [0.01 kg] |





Tolerance

| | |
|-------|-----------------|
| x. | ± 0.2 |
| xx. | ± 0.1 |
| xxx. | ± 0.05 |
| Angle | $\pm 0.5^\circ$ |