

### Description

This TNC male reverse polarity crimp connector is meant to be terminated on LMR-240 bulk cable.

### Physical Characteristics

|                   |                                   |
|-------------------|-----------------------------------|
| Connector         | TNC                               |
| Gender            | Male                              |
| Polarity          | Reverse                           |
| Cable Type        | LMR-240                           |
| Connector Plating | Nickel                            |
| Contact Plating   | Gold                              |
| Attachment Method | Crimp Sleeve, Crimp or Solder Pin |

### Performance

|           |        |
|-----------|--------|
| Impedance | 50 Ohm |
|-----------|--------|

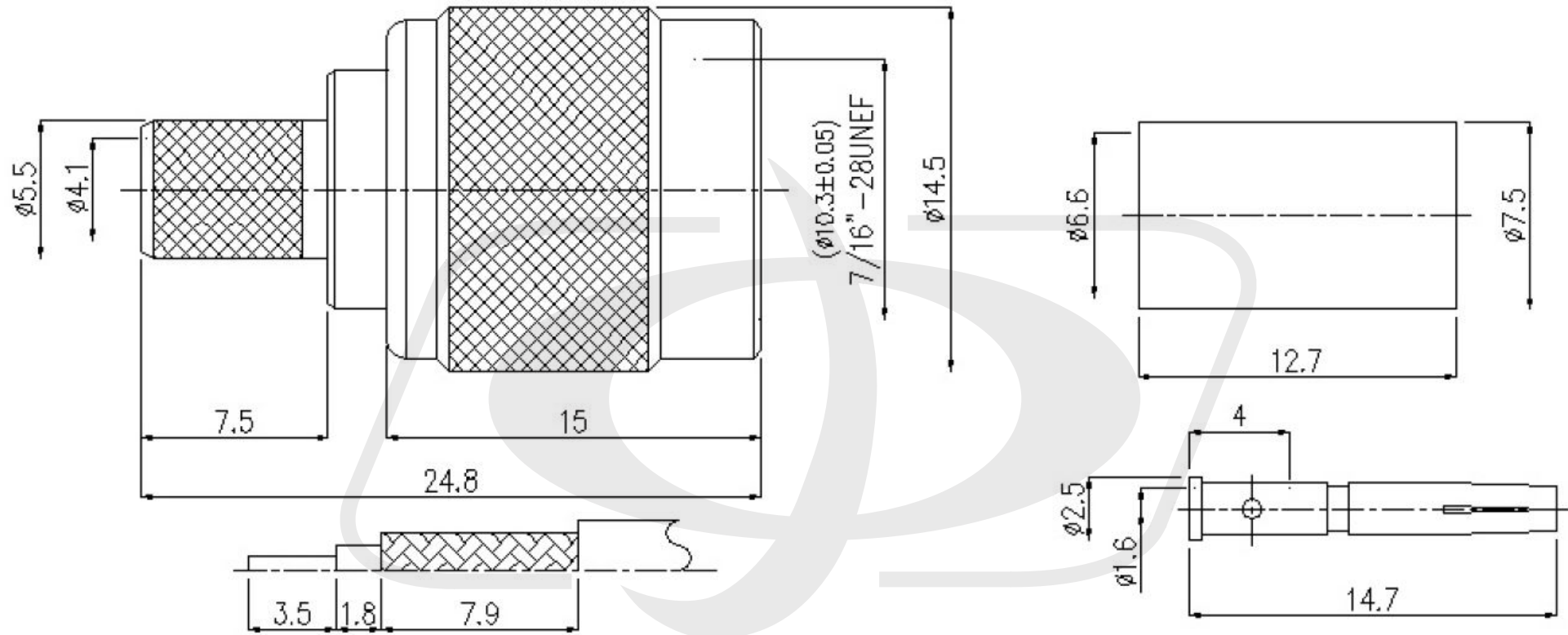
### Product Support

|                   |        |
|-------------------|--------|
| RoHS              | Yes    |
| Country of Origin | Taiwan |

### Packaging Information

|                  |                    |
|------------------|--------------------|
| Package Quantity | 1                  |
| Product Weight   | 0.03 lbs [0.01 kg] |





### Tolerance

|       |                 |
|-------|-----------------|
| x.    | $\pm 0.2$       |
| xx.   | $\pm 0.1$       |
| xxx.  | $\pm 0.05$      |
| Angle | $\pm 0.5^\circ$ |