

Description

This TNC male crimp connector is meant to be terminated on LMR-240 bulk cable.

Physical Characteristics

Connector	TNC
Gender	Male
Cable Type	LMR-240
Connector Plating	Nickel
Contact Plating	Gold
Attachment Method	Crimp Sleeve, Crimp or Solder Pin

Performance

Impedance	50 Ohm
-----------	--------

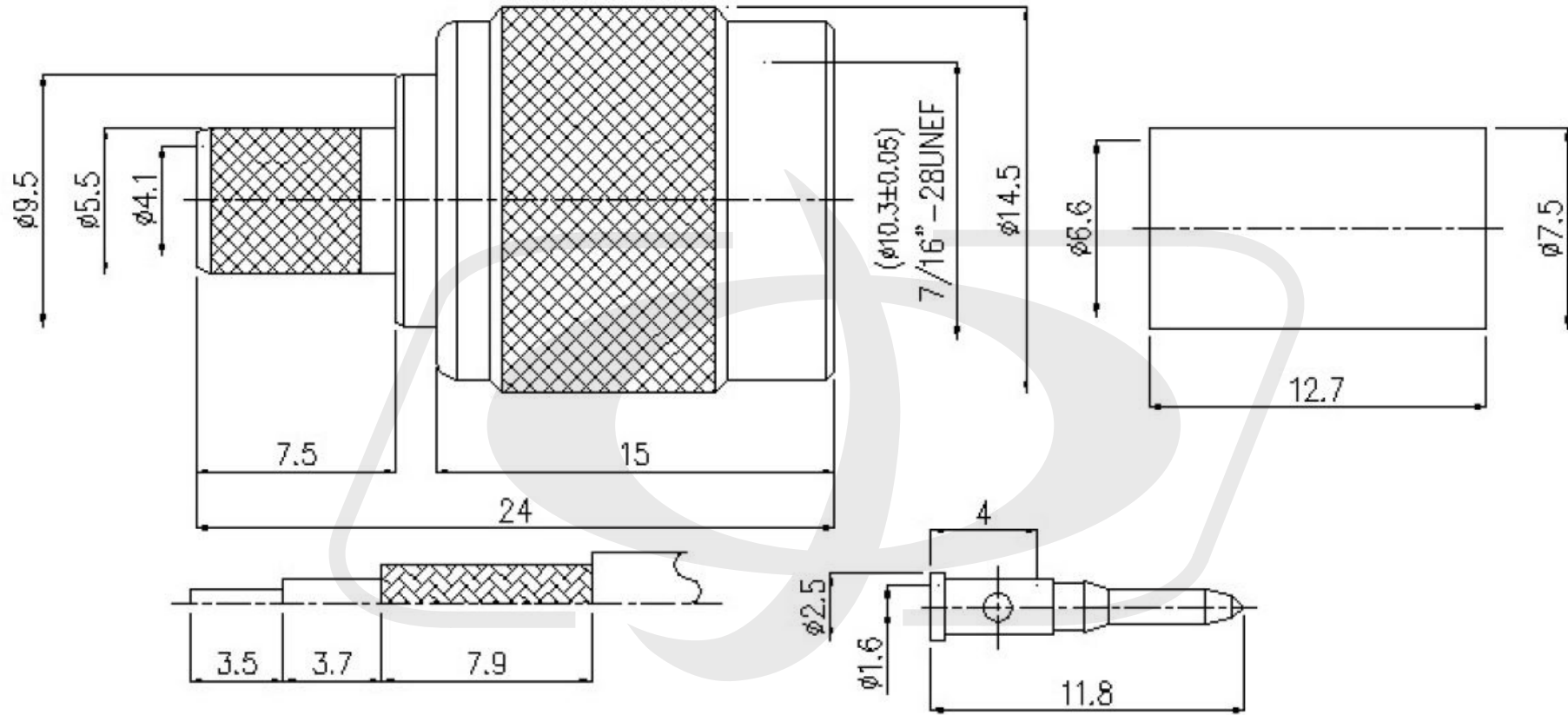
Product Support

RoHS	Yes
Country of Origin	Taiwan

Packaging Information

Package Quantity	1
Product Weight	0.15 lbs [0.07 kg]





Frequency: 0 to 6.0GHz
 VS WR: 1.35 max
 Return Loss: -16dB

Tolerance

x.	± 0.2
xx.	± 0.1
xxx.	± 0.05
Angle	$\pm 0.5^\circ$