



# TNC Male Crimp Connector for RG174 (LMR-100) 50 Ohm

## CN-20-100 - Specifications

### Description

This TNC male crimp connector is meant to be terminated on RG174 (LMR-100) bulk cable.

### Physical Characteristics

Connector	TNC
Gender	Male
Cable Type	RG174 (LMR-100)
Connector Plating	Nickel
Contact Plating	Gold
Attachment Method	Crimp Sleeve, Crimp or Solder Pin

### Performance

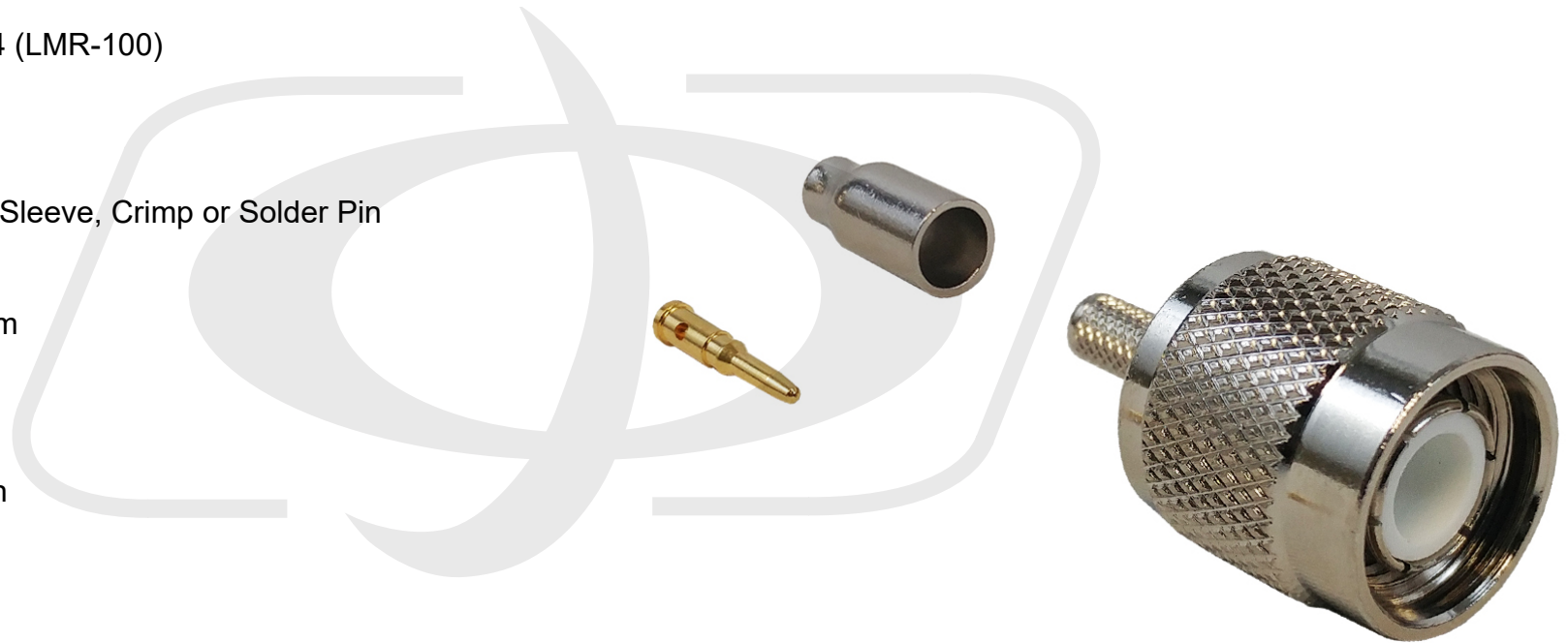
Impedance	50 Ohm
-----------	--------

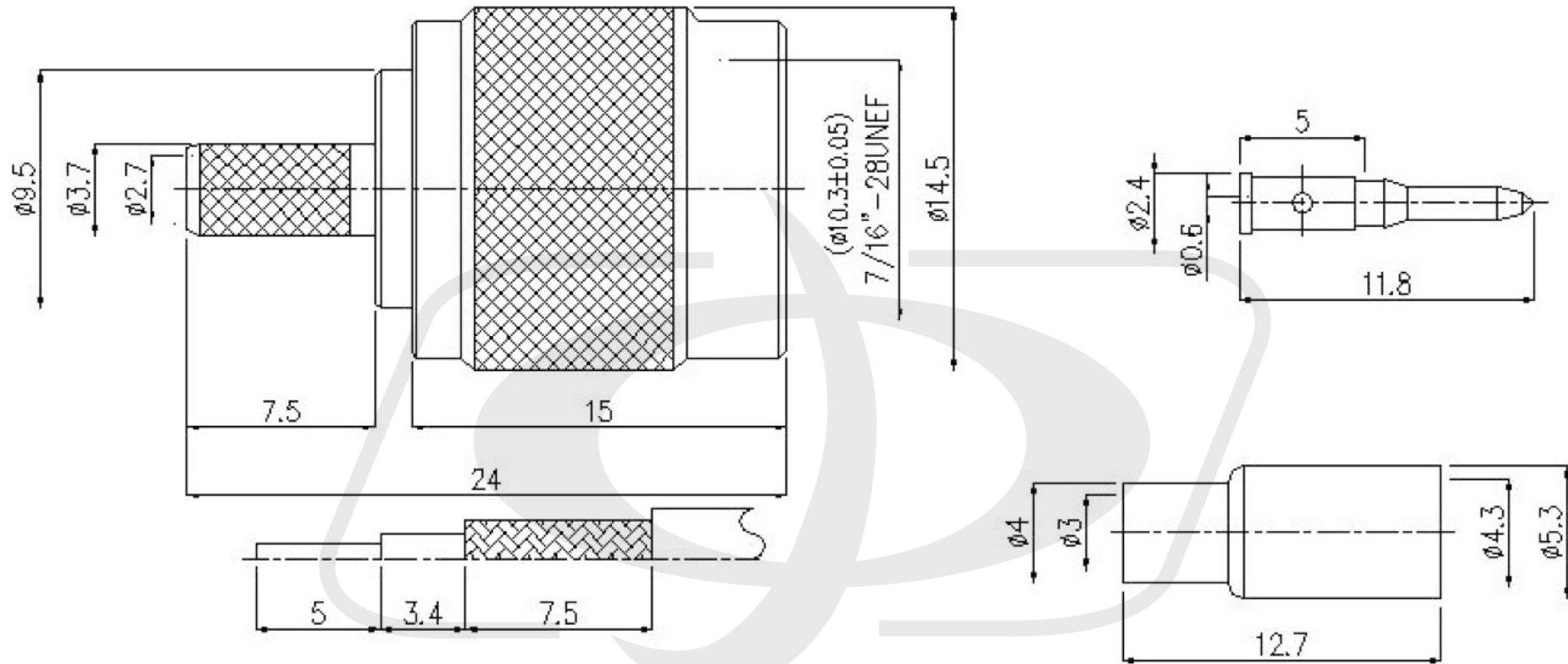
### Product Support

RoHS	Yes
Country of Origin	Taiwan

### Packaging Information

Package Quantity	1
Product Weight	0.02 lbs [0.01kg]





### Tolerance

x.	$\pm 0.2$
xx.	$\pm 0.1$
xxx.	$\pm 0.05$
Angle	$\pm 0.5^\circ$