



SMA Male Crimp Connector for RG8 (LMR-400) 50 Ohm

CN-12-400 - Specifications

Description

This SMA male reverse polarity crimp connector is meant to be terminated on RG8 (LMR-400) bulk cable.

Physical Characteristics

Connector	SMA
Gender	Male
Polarity	Reverse
Cable Type	RG8 (LMR-400)
Connector Plating	Nickel
Contact Plating	Gold
Attachment Method	Crimp Sleeve, Solder Pin

Performance

Impedance	50 Ohm
-----------	--------

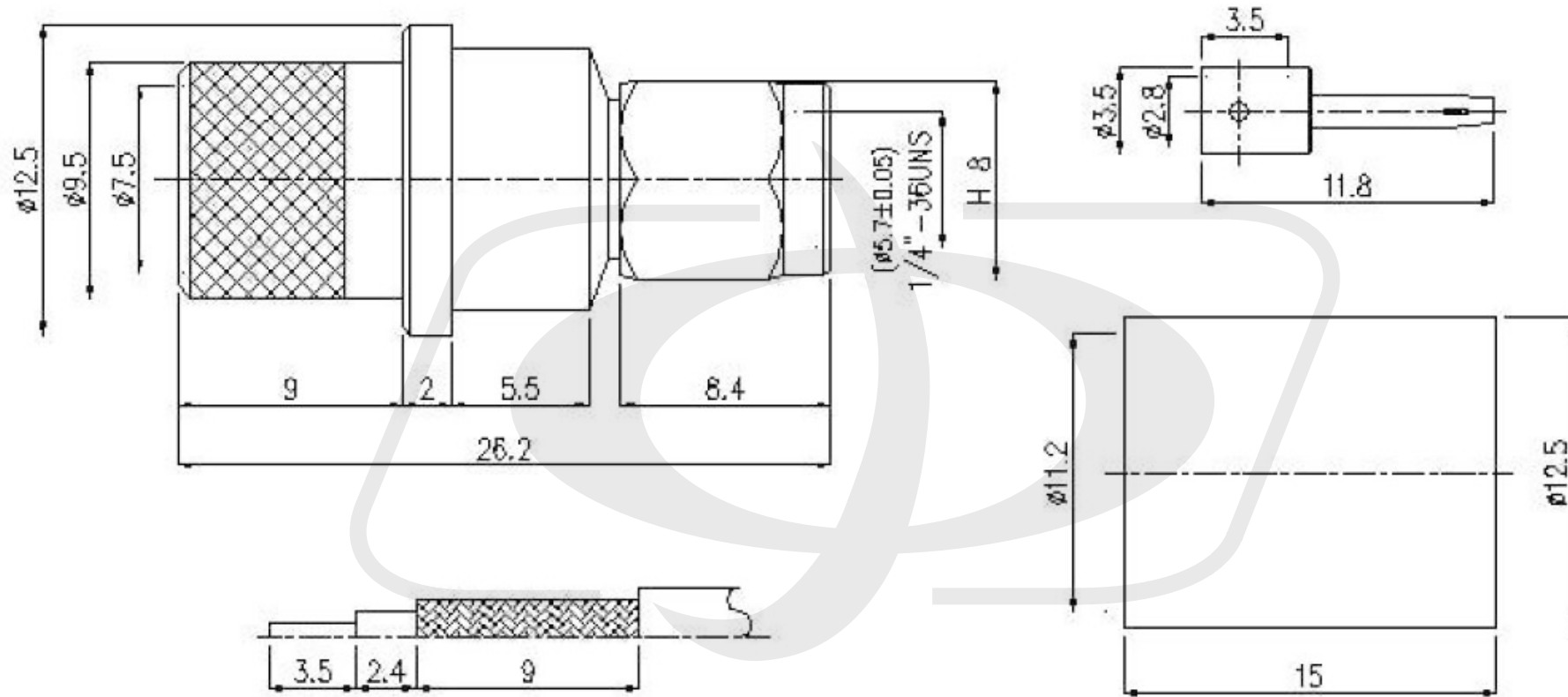
Product Support

RoHS	Yes
Country of Origin	Taiwan

Packaging Information

Package Quantity	1
Product Weight	0.03 lbs [0.01 kg]





Tolerance

x.	± 0.2
xx.	± 0.1
xxx.	± 0.05
Angle	$\pm 0.5^\circ$