



BNC Female to BNC Female Adapter - 50 ohm Bulkhead

AD-3131-BH - Specifications

Description

This adapter consists of a BNC female on one end and a BNC female bulkhead on the other. It is typically mounted on a panel.

Physical Characteristics

Connector Plating Nickel

Connectors

Connector A BNC Female

Connector B BNC Female

Performance

Impedance 50 Ohm

Product Support

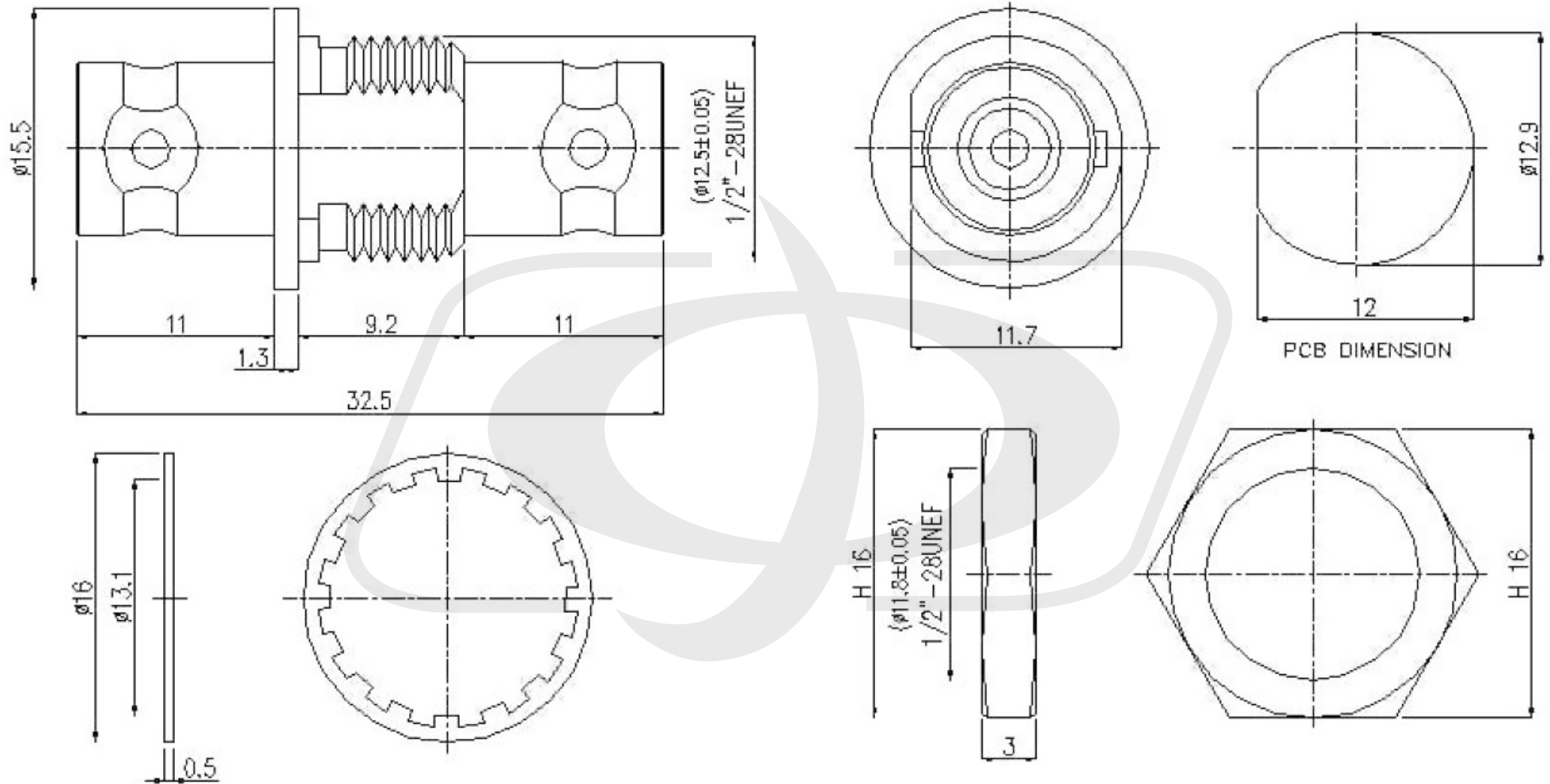
Country of Origin Taiwan

Packaging Information

Package Quantity 1

Product Weight 0.02lbs





Tolerance

| | |
|-------|------------|
| x. | ± 0.2 |
| xx. | ± 0.1 |
| xxx. | ± 0.05 |
| Angle | ± 0.5 |