



BNC Female to BNC Female Adapter - 50 Ohm Bulkhead - Insulated Ground

AD-3131-50 - Specifications

Description

This adapter consists of a BNC female on one end and a BNC female on the other end. It is typically used to be mounted on a panel.

Physical Characteristics

Connector Plating	Nickel
Insulated Ground	Yes

Connectors

Connector A	BNC Female
Connector B	BNC Female

Performance

Impedance	50 Ohm
-----------	--------

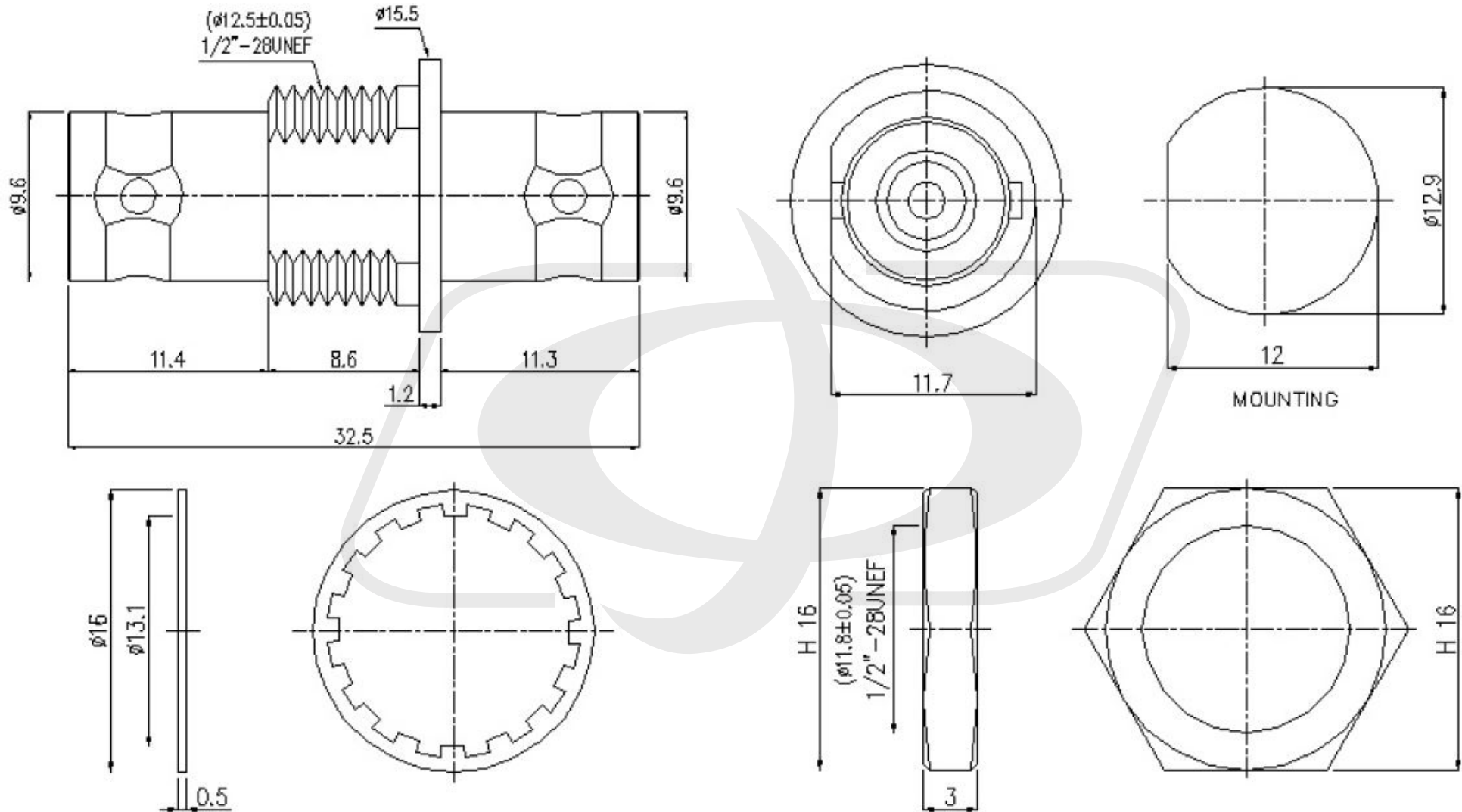
Product Support

Country of Origin	Taiwan
-------------------	--------

Packaging Information

Package Quantity	1
Product Weight	0.02lbs





Tolerance

x.	± 0.2
xx.	± 0.1
xxx.	± 0.05
Angle	$\pm 0.5^\circ$